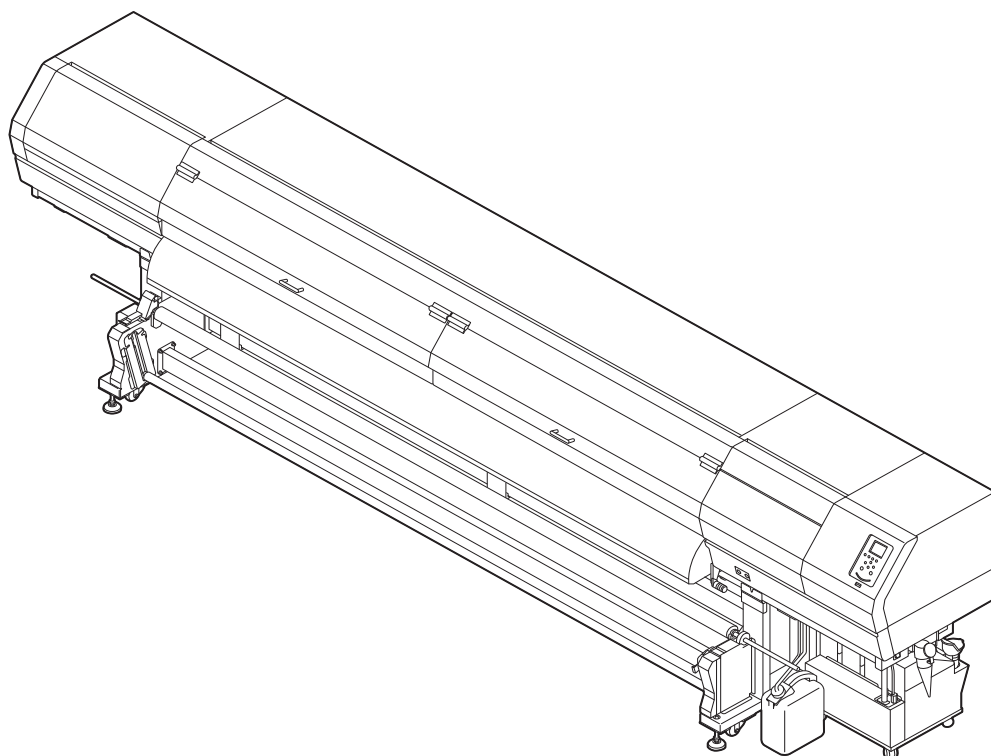


OPERATION MANUAL

COLOR INKJET PRINTER

SWJ-320EA

OPERATION MANUAL



MIMAKI ENGINEERING CO., LTD.

<https://mimaki.com/>

D203278-13

Original instructions

Table of contents

CAUTION	v
DISCLAIMER OF WARRANTY	v
Requests	v
FCC Statement (USA)	v
Interference to televisions and radios	v
Foreword	v
About usable ink	v
On This Operation manual	v
Safety Precautions	vi
Symbols	vi
Safety interlock	ix
Warning labels	x
EC DECLARATION OF CONFORMITY	xii

Chapter 1 Before Use

About installing this machine	1-2
Where to Install This Machine	1-2
Working Environmental Temperature.....	1-2
About fixing machine	1-2
Moving This Machine	1-2
Names of Parts and Functions	1-3
Front Side of the Machine	1-3
Rear Side and Right Side of the Machine	1-4
Operation Panel	1-5
Heater.....	1-7
Media sensor.....	1-7
Carriage.....	1-7
Capping station	1-8
Pinch rollers and Feed rollers.....	1-8
Connecting Cables	1-8
Connecting USB2.0 Interface Cable	1-8
Connecting the LAN cable.....	1-9
Connecting Power Supply Cable.....	1-10
Fill ink in the ink tank and charging.....	1-10
Caution in handling of ink bottles	1-13
Media	1-14
Usable sizes of media	1-14
Caution in handling of medias	1-14

Chapter 2 Basic Operations

Workflow	2-2
Turning the Power ON/OFF	2-3
Turning the Power ON.....	2-3
Turning the Power OFF	2-3
Setting a Media	2-4
Adjusting the Head Height.....	2-4
Note for media setting	2-4
Setting a roll media.....	2-5
Setting a narrow roll media.....	2-9

Setting two narrow roll media (twin rolls)	2-13
Setting leaf media	2-16
Removing the taken-up media	2-16
Changing the printing origin	2-17
Preparing for the Heaters	2-18
Changing the Temperature Settings for the Heaters	2-18
Test Printing	2-18
Test Printing	2-19
Head Cleaning	2-19
About head cleaning	2-19
Perform head cleaning depending on the test printing result	2-19
Setting of Media Correction	2-20
Setting of Media Correction	2-20
Correct the ink drop position for bidirectional printing	2-21
Printing Data	2-22
Starting a Printing Operation	2-22
Stopping a Printing Operation	2-22
Deleting Received Data (Data Clear)	2-22

Chapter 3 Extended Functions

About Setup MENU	3-2
Setup MENU table	3-3
Register the optimal print conditions to match the use	3-4
Setting of Media Correction	3-5
If the Positions of Dots Shift... ..	3-6
Setting the Heater	3-6
Setting of Logical Seek	3-7
Setting of Overprint	3-7
Setting of Drying Time	3-7
Setting of Left and Right Margins	3-8
Setting of Refresh	3-8
Setting of Vacuum Fan	3-8
Setting of Print Speed	3-8
Setting of MAPS4	3-9
Setting Auto Cleaning	3-9
Setting Interval wiping	3-10
About Machine Setup MENU	3-11
Machine Setup MENU table	3-12
Setting a AUTO Power-off	3-13
Setting Feeding unit	3-13
Setting Take-up unit	3-13
Setting the Display of Media Remain	3-14
Setting Time	3-14
Setting Unit (Temperature/ Length)	3-14
Setting a Key Buzzer	3-14
Setting the Display of Media Detection	3-15
Setting the CONFIRM. FEED	3-15
Set the network	3-15
Setting event mail function	3-16
Setting the Setting Lock function	3-20
Initializing the Settings	3-20

About Information MENU.....	3-21
Information MENU table.....	3-21
Displaying the Information.....	3-22
Displaying the Information of this machine.....	3-22
Setting a Language.....	3-23

Chapter 4 Maintenance

Maintenance	4-2
Precautions for Maintenance.....	4-2
About Cleaning Solution.....	4-2
Cleaning the Exterior Surfaces.....	4-2
Cleaning the Platen	4-2
Cleaning The Heater Cover.....	4-3
Cleaning the Media Sensor	4-3
Cleaning the Media Press	4-4
About Maintenance MENU	4-5
Maintenance MENUs at-a-glance	4-6
Maintaining the Capping Station.....	4-7
Cleaning the Wiper and Cap	4-7
Washing the Ink Discharge Passage	4-8
When the Machine Is Not Used for a Long Time (Custody Wash).....	4-9
Cleaning the Ink Head and the Area around It	4-11
When nozzle missing Cannot Be Solved	4-12
Washing the Head Nozzle.....	4-12
Nozzle Recovery Function	4-13
Automatic Maintenance Function	4-15
Setting the Refreshing level	4-15
Setting the Cleaning level.....	4-16
Discarding waste ink.....	4-16
For waste ink remaining management	4-18
Adjust the waste ink.....	4-19
Replacing consumables.....	4-19
Replacing the wiper.....	4-19
Replacing the Mist Fan Filter (H fan filter).....	4-20
Replace the ink tank.....	4-21
Replacing the cap absorber	4-22

Chapter 5 Troubleshooting

Troubleshooting	5-2
Power does not turn on	5-2
The machine does not start printing.....	5-2
Media get jammed / media is soiled	5-3
Image quality is poor	5-3
Nozzle is clogged	5-3
Ink tank warning appears	5-4
When the ink leakage occurs	5-4
If an error related to the Sub Tank occurs (Error 618 to 61b)	5-4
If nozzle missing due to color mixture of ink or aeration	5-4
When media heaves up at feeding.....	5-6

Warning / Error Messages	5-7
Warning messages.....	5-7
Error messages	5-11

Chapter 6 Appendix

Specifications	6-2
Machine specifications	6-2
Ink specifications	6-3
Supply item list	6-4
Setting orders of ink tanks.....	6-5
Sheet for inquiry	6-6

CAUTION

DISCLAIMER OF WARRANTY

THIS LIMITED WARRANTY OF MIMAKI SHALL BE THE SOLE AND EXCLUSIVE WARRANTY AND IS IN LIEU OF ALL OTHER WARRANTIES, EXPRESS OR IMPLIED, INCLUDING, BUT NOT LIMITED TO, ANY IMPLIED WARRANTY OF MERCHANTABILITY OR FITNESS, AND MIMAKI NEITHER ASSUMES NOR AUTHORIZES DEALER TO ASSUME FOR IT ANY OTHER OBLIGATION OR LIABILITY OR MAKE ANY OTHER WARRANTY OR MAKE ANY OTHER WARRANTY IN CONNECTION WITH ANY PRODUCT WITHOUT MIMAKI'S PRIOR WRITTEN CONSENT.

IN NO EVENT SHALL MIMAKI BE LIABLE FOR SPECIAL, INCIDENTAL OR CONSEQUENTIAL DAMAGES OR FOR LOSS OF PROFITS OF DEALER OR CUSTOMERS OF ANY PRODUCT.

Requests

- This Operation manual has been carefully prepared for your easy understanding.
However, please do not hesitate to contact a distributor in your district or our office if you have any inquiry.
- Description contained in this Operation manual are subject to change without notice for improvement.

FCC Statement (USA)

This equipment has been tested and found to comply with the limits for a Class A digital device, pursuant to Part 15 of the FCC Rules. These limits are designed to provide reasonable protection against harmful interference when the equipment is operated in a commercial environment.

This equipment generates, uses and can radiate radio frequency energy and, if not installed and used in accordance with the operation manual, may cause harmful interference to radio communications.

Operation of this equipment in a residential area is likely to cause harmful interference in which cause the user will be required to correct the interference at his own expense.



- In the case where MIMAKI-recommended cable is not used for connection of this machine, limits provided by FCC rules can be exceeded. To prevent this, use of MIMAKI-recommended cable is essential for the connection of this machine.

Interference to televisions and radios

The product described in this manual generates high frequency when operating.

The product can interfere with radios and televisions if set up or commissioned under improper conditions.

The product is not guaranteed against any damage to specific-purpose radio and televisions.

The product's interference with your radio or television will be checked by turning on/off the power button of the product.

In the event that the product is the cause of interference, try to eliminate it by taking one of the following corrective measures or taking some of them in combination.

- Change the orientation of the antenna of the television set or radio to find a position without reception difficulty.
- Separate the television set or radio from this product.
- Plug the power cord of this product into an outlet which is isolated from power circuits connected to the television set or radio.

Foreword

Congratulations on your purchase of MIMAKI color ink jet printer "SWJ-320EA" .

"SWJ-320EA" is a color inkjet printer that can print with solvent ink realizing high speed and high image quality.

About usable ink

Usable ink for this machine is CS100/CS200 ink (four-color model).

- 4-colors version : Each of Cyan, Magenta, Yellow and Black color ink cartridge are useable.

On This Operation manual

- This Operation manual is describing the operations and maintenance of "Color inkjet printer SWJ-320EA" (called as this machine hereafter)
- Read this Operation manual carefully and understand them thoroughly to use.
- It is also necessary to keep this Operation manual on hand.
- This Operation manual has been carefully prepared for your easy understanding, however, please do not hesitate to contact a distributor in your district or our office if you have any inquiry.
- Descriptions contained in this Operation manual are subject to change without any notice for improvement.
- You can also download the latest manual from our website.

Reproduction of this manual is strictly prohibited.

All Rights Reserved. Copyright

© 2016 MIMAKI ENGINEERING Co., Ltd.




Safety Precautions

Symbols

Symbols are used in this Operation Manual for safe operation and for prevention of damage to the machine. The indicated sign is different depending on the content of caution.




Symbols and their meanings are given below. Please follow these instructions as you read this manual.

Examples of symbols


Meaning	
	Failure to observe the instructions given with this symbol can result in death or serious injuries to personnel. Be sure to read it carefully and use it properly.
	Failure to observe the instructions given with this symbol can result in injuries to personnel or damage to property.
	Important notes in use of this machine are given with this symbol. Understand the notes thoroughly to operate the machine properly.
	Useful information is given with this symbol. Refer to the information to operate the machine properly.
	Indicates the reference page for related contents.
	The symbol "  " indicates that the instructions must be observed as strictly as the CAUTION instructions (including DANGER and WARNING instructions). A sign representing a precaution (the sign shown at left warns of hazardous voltage) is shown in the triangle.
	The symbol "  " indicates that the action shown is prohibited. A sign representing a prohibited action (the sign shown at left prohibits disassembly) is shown in or around the circle.
	The symbol "  " indicates that the action shown must be taken without fail or the instructions must be observed without fail. A sign representing a particular instruction (the sign shown at left instructs to unplug the cable from the wall outlet) is shown in the circle.

Warning for Use













WARNING







-  • Do not use the machine in a poorly ventilated room or a closed room.
- Avoid locating the machine in a damp environment. Do not splash water onto the machine. Use in such an environment can give rise to fire, electric shocks or breakdown of the machine.
- Use it with the displayed power supply specifications. The power-supply voltage of this machine shall be single-phase 200 to 240 Vac 29A and less. (You cannot use this machine in the 100V system.)
- Use of the machine under an abnormal condition where it produces smoke or strange smell can result in fire or electric shocks. If such an abnormality is found, be sure to turn off the power button immediately and unplug the cable from the wall outlet. Check first that the machine no longer produces smoke, and then contact your distributor or a sales office of MIMAKI for repair. Never repair your machine and ink bottle by yourself since it is very dangerous for you to do so.
- Never disassemble or remodel the main unit of the machine or the ink bottle. Disassembly or remodeling can result in an electric shock or breakdown of the machine.
- Take care that no dust or dirt sticks to platen. Dust and dirt sticking heaters can cause fire.
- Do not place your fingers or other parts of body close to dangerous moving parts. There is a danger of injury.
- In case of ink leakage, please turn off the main power, unplug the power cable and call for service to our service or dealer.
-  • The main power circuit breaker should be set ON only by personnel with sufficient knowledge about operations of this unit.
-  • Keep children away from this machine.

Disposition of this machine

-  • When discarding this machine, request the treatment of it for an industrial waste disposal contractor.
- Treat it properly in compliance with regulation in the local area.

Precautions in Use

 CAUTION	
Handling of the power cable	
	<ul style="list-style-type: none"> Use a power cable attached to this unit. Take care not to damage, break or work on the power cable. If a heavy matter is placed on the power cable, heated or drawn, the power cable can break to cause fire or electric shocks. Connect to a socket-outlet with determinate polarity.
Power supply	
	<ul style="list-style-type: none"> Leave the breaker turned ON. Do not turn off the main power switch on the right side of this machine.
Heater	
	<ul style="list-style-type: none"> Do not spill liquid on the heater as this may cause failure of the heater or firing. Do not touch heater heaters with bare hand while it is hot; otherwise, you can get burned.
Note on maintenance	
	<ul style="list-style-type: none"> When cleaning the ink tank unit or the heads, be sure to wear the included gloves.
	<ul style="list-style-type: none"> When handling ink and cleaning solution, pay close attention to ventilation and be sure to wear the included safety glasses and gloves.
	<ul style="list-style-type: none"> Gloves are consumables. Use commercially-available ones if you lose or use up the supplied gloves.
Grounding work	
	<ul style="list-style-type: none"> This unit requires grounding work to prevent electrical shock. Carry out the grounding work.
Wearing protective devices	
	<ul style="list-style-type: none"> When cleaning the suction nozzle, which may scatter ink, be sure to wear the included safety glasses and gloves, or ink and washing liquid might enter your eyes or ink and washing liquid put on your hands might make your hands rough.
	
	
Handling of ink / cleaning solution	
	<ul style="list-style-type: none"> Before using ink and cleaning solution, be sure to read the Safety Data Sheet (SDS). If you get ink or cleaning solution in your eyes, immediately wash your eyes with a lot of clean water for at least 15 minutes. In doing so, also wash eyes to rinse ink away completely. Then, consult a doctor as soon as possible. If someone swallows ink or cleaning solution by mistake, keep him or her quiet and take them to see a doctor immediately. Do not let allow the person to swallow the vomit. Then contact the emergency number written in SDS. If you inhale a great deal of vapor and feel ill, immediately move to a location with plenty of fresh air, and keep yourself warm and quiet. Consult a doctor as soon as possible. A part of the ingredients (photo polymerization initiator) has toxicity against aquatic organisms. Please prevent leakage flow to natural water systems (river, etc.) and domestic sewages (toilet, road, etc.) There are precautionary notes on ink on the ink bottle. Read it carefully and fully understand it before using it.

 CAUTION	
About hot parts	
	<ul style="list-style-type: none"> Some parts outside the unit will have a very high temperature. A high temperature caution label is placed on such parts. Do not touch the parts with the caution label placed and their vicinity, or burn injury may occur.
	<ul style="list-style-type: none"> When it is unavoidable to touch hot parts, be sure to wear heat-insulating gloves to protect your hands.
About cleaning	
	<ul style="list-style-type: none"> After using the unit long time, foreign materials and dust may be gathered on the conductive and insulating parts, causing electric leakage. Periodically clean such parts. For cleaning, do not use compressed air because it scatters foreign materials and dust, which may cause malfunctions when put inside the conductive parts. Be sure to use vacuum cleaner for cleaning of foreign materials and dust Do not use the unit in a place where there is a possibility of being wet, or electrical leakage may occur. Electrical leakage, if it should occur, may lead to electrical shock of personnel or fire. In order to prevent accidents from occurring, be sure to carry out periodic inspections and replacement of timechange components.
About firing and smoking	
	<ul style="list-style-type: none"> Touching hot parts such as the LED UV unit with combustible materials may cause firing and/or smoking. Leaving combustible materials under the UV LED unit for a couple minutes may also cause firing and/or smoking.
	<ul style="list-style-type: none"> After the unit is used long time, foreign materials or dust gathered on the stabilizer or other parts may cause electrical leakage or insulation deterioration may cause firing and/or smoking. Periodically clean the parts and measure the insulation resistance, replacing deteriorated parts, if any. After the unit is used long time, screws, etc. on the conductive parts may be loosened, causing firing and/or smoking. Periodically tighten such screws. Because this unit is not of explosion proof type, do not use it in an ambience with hazardous materials, or a possibility of explosion may arise. If abnormalities of the unit such as a strange odor, a smoking or a spark burn are found, turn the power off and call Mimaki immediately.

CAUTIONS and NOTES

**Warning****Handling of ink bottles**

- Use the SWJ-320EA genuine ink. Remember that the user shall be filled for a repair to correct any damage resulting from the use of ink other than the exclusive type.
- The machine does not operate with any ink other than the SWJ-320EA genuine ink.
- Do not use the SWJ-320EA genuine ink with other printers, as doing so may cause damage to such machines.
- Never refill the ink bottle with ink. Refilled ink bottle can cause a trouble. Remember that MIMAKI assumes no responsibility for any damage caused by the use of the ink bottle replenished with ink.
- If the ink bottle is moved from a cold place to a warm place, leave it in the room temperature for three hours or more before using it.
- Open the ink bottle just before using it. If it is opened and left for an extended period of time, normal printing performance of the machine may not be ensured.
- Make sure to store ink bottles in a cool and dark place.
- Store ink bottles and waste ink tank in a place that is out of the reach of children.
- Be sure to thoroughly consume the ink in the ink bottle, once it is opened, within three months. If an extended period of time has passed away after opening the ink bottle, printing quality would be poor.
- Do not knock or shake the ink bottle violently. It may cause ink leaks or nozzle clogging due to excessive air in the ink.
- Do not touch or stain the contacts of the IC chip, as doing so may cause damage to the print circuit board.
- Waste ink is equivalent to waste oil of industrial waste. Request an industrial waste disposal company for disposal of waste ink.
- Do not discard to natural water systems (river, lake, etc.) and domestic sewages (toilet, washstand, road, etc.).

Front cover and lever

- Never open the front cover or raise the lever during printing.

Protection of media from dust

- Store media in a bag. Wiping off dust accumulated on media will adversely affect the media due to static electricity.
- When leaving the workshop after the working hours, do not leave any media on the roll hanger. If any media is left on the roll hanger, it can get dusty.

Notes on maintenance

- It is strongly recommended to use the machine in a room that is not dusty.
- Keep the front cover closed even when the machine is not printing. If not, dust can accumulate on the nozzles in the heads.
- Dust in the heads can also cause drops of ink to fall suddenly down on the media during printing. In such a case, be sure to clean up the heads.
- When cleaning the ink-station or the heads, make sure to wear the attached gloves.
- Perform wiping (removal of dust and paper powder) of the capping station and wiper frequently.

**Warning****Handling of media**

- Use media recommended by MIMAKI to ensure reliable, high-quality printing.
- Set the temperature of the heater according to the type and characteristics of the media used. Automatic temperature setting can be made on the operation panel by setting the profile on the dedicated RIP. For setting on the RIP, refer to the instruction manual for your RIP.
- Pay attention to the expansion and contraction of the media. Do not use media immediately after unpacking. The media can be affected by the room temperature and humidity, and thus it may expand and contract. The media have to be left in the atmosphere in which they are to be used for 30 minutes or more after unpacked.
- Do not use curled media. The use of curled media can not only cause a media jam but also affect print quality. Straighten the sheet of media, if significantly curled, before using it for printing. If a regular-sized coated sheet of media is rolled and stored, the coated side has to face outside.
- Do not leave the media with the heater ON for a long time.


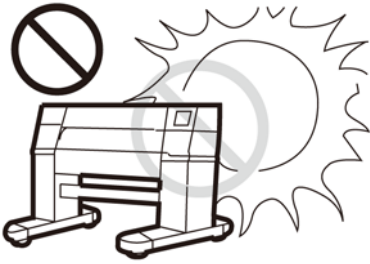

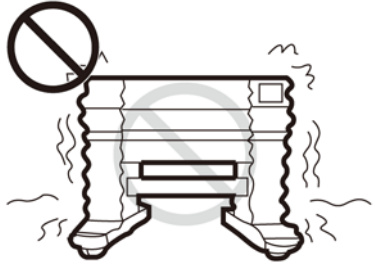
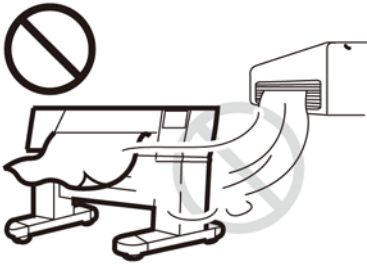
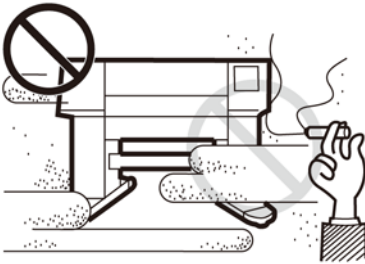

Periodic replacement parts

- Some parts of this machine must be replaced with a new one periodically by service personnel. Be sure to make a contract with your distributor or dealer for After sale service to ensure a long life of your machine.

Disposition of this machine

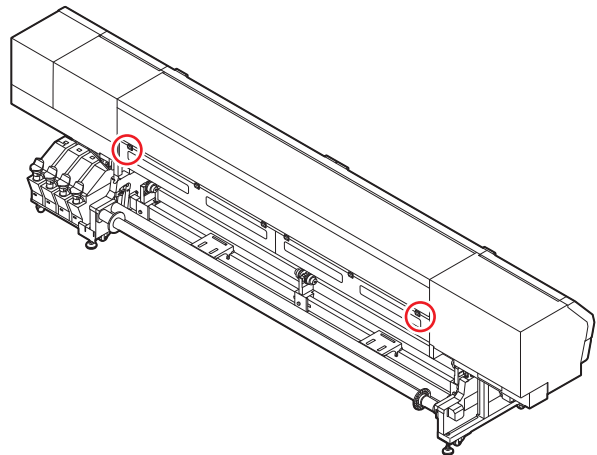
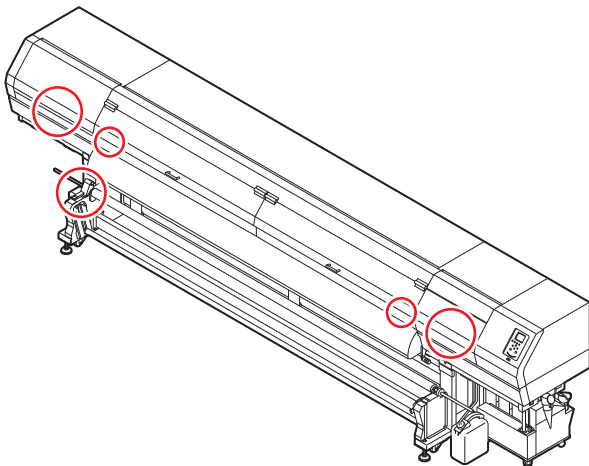
- When discarding this machine, request the treatment of it for an industrial waste disposal contractor.
- Treat it properly in compliance with regulation in the local area.

Cautions on Installation

 CAUTION		
A place exposed to direct sunlight	On an inclined surface	A place that vibrates
		
A place exposed to direct air flow from an air conditioner or the like.	Around a place where fire is used	A place where temperature or humidity varies significantly
		 <ul style="list-style-type: none"> • Use the machine under the following environmental conditions: • Operating environment: 20 to 30 °C (68 to 86 °F) 35 to 65 % (Rh)

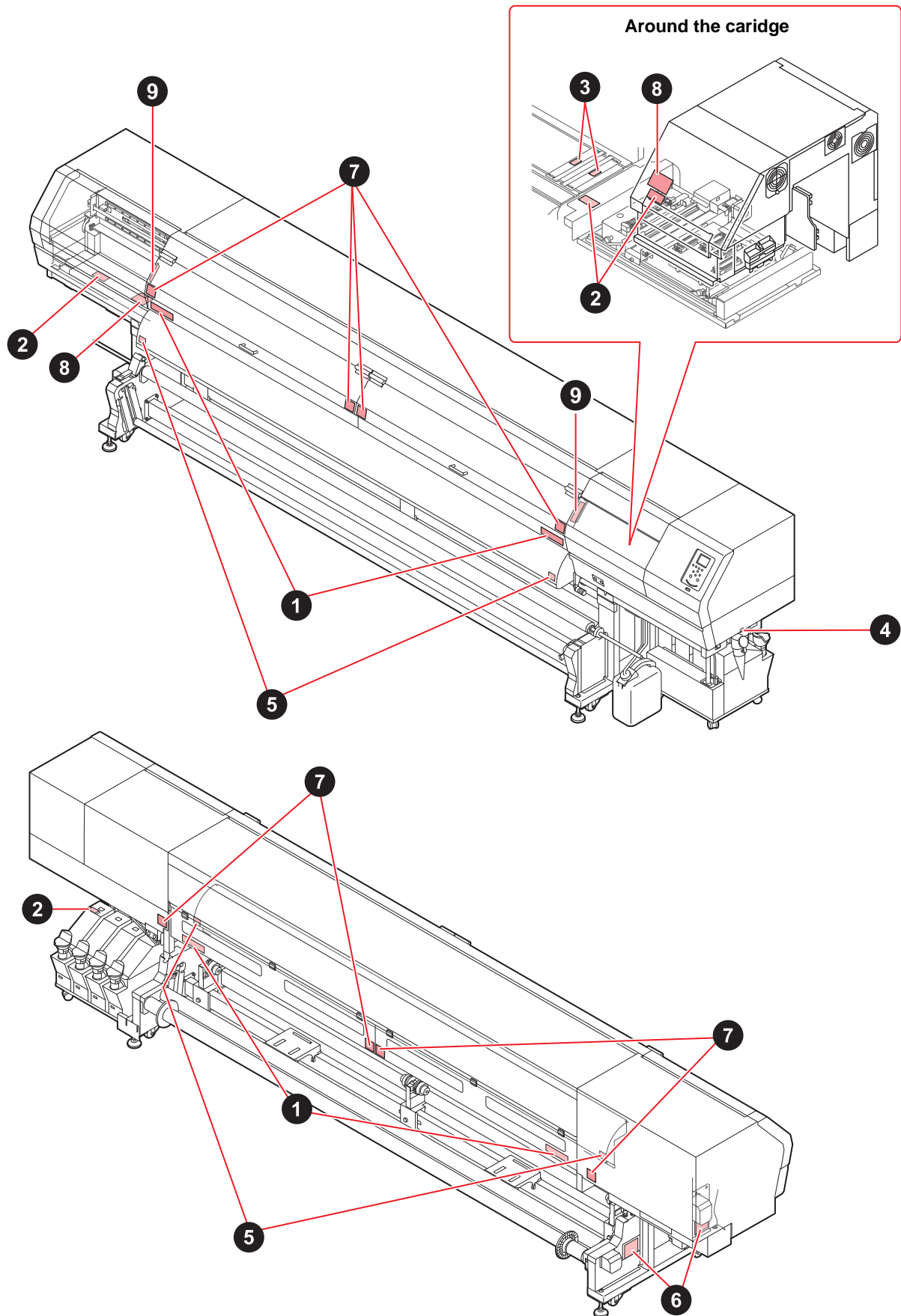
Safety interlock










This machine is equipped with interlocks to terminate the operation for your safety when the cover opens during printing etc. (red circle parts in the figure below).



Warning labels

Warning labels are stuck on the machine. Be sure to fully understand the warning given on the labels. If a warning label is illegible due to stains or has come off, purchase a new one from a distributor or our sales office.



No.	Reorder	Label										
1	M905811	 <table border="1" style="width: 100%; text-align: center;"> <tr> <td style="width: 25%;">警告</td> <td style="width: 25%;">警告</td> <td style="width: 25%;">WARNING</td> <td style="width: 25%;">WAARSCHUWING</td> <td style="width: 25%;">AVERTISSEMENT</td> </tr> <tr> <td>手指和身体请勿靠近运转部位, 以免造成危险</td> <td>危険な稼働部 指や体を近づけないように</td> <td>HAZARDOUS MOVING PARTS Keep fingers and other body parts away.</td> <td>GEFÄHRLICHE BEWEGLICHE TEILE Finger und andere Körperteile fernhalten.</td> <td>PIECES MOBILES DANGEREUSES Doigts et autres parties du corps sont hors de portée.</td> </tr> </table>	警告	警告	WARNING	WAARSCHUWING	AVERTISSEMENT	手指和身体请勿靠近运转部位, 以免造成危险	危険な稼働部 指や体を近づけないように	HAZARDOUS MOVING PARTS Keep fingers and other body parts away.	GEFÄHRLICHE BEWEGLICHE TEILE Finger und andere Körperteile fernhalten.	PIECES MOBILES DANGEREUSES Doigts et autres parties du corps sont hors de portée.
警告	警告	WARNING	WAARSCHUWING	AVERTISSEMENT								
手指和身体请勿靠近运转部位, 以免造成危险	危険な稼働部 指や体を近づけないように	HAZARDOUS MOVING PARTS Keep fingers and other body parts away.	GEFÄHRLICHE BEWEGLICHE TEILE Finger und andere Körperteile fernhalten.	PIECES MOBILES DANGEREUSES Doigts et autres parties du corps sont hors de portée.								
2	M903330											
3	M906144											
4	M907935											
5	M903239											
6	M903404	 <p>WARNING Hazardous moving parts. Keep fingers and other body parts away.</p> <p>AVERTISSEMENT Pièces mobiles dangereuses. N'en Approchez jamais les doigts et d'autres parties du corp.</p> <p>WARNING Gefährliche bewegte teile! Nicht die finger oder andere korperteile in die nahe bringen!</p> <p>警告 危険な可動部です。指や身体を絶対に近づけないようにしてください。</p> <p>警告 虫輪外露运转部！絶対不可用身体和手指接近。</p>										
7	M910931	 <p>CAUTION COVER HAZARD May result in severe injury. When open and close the cover, hold a cover until the end.</p> <p>ATTENTION COUVERCLE-DANGER Peut entrainer de graves blessures. Lors de l'ouverture ou de la fermeture du couvercle, tenir le couvercle jusqu'à la fin.</p> <p>カバー急落下あり 指を挟まれると、ケガや骨折の恐れあり カバーの開閉は、最後まで手を添えて行ってください。</p> <p>M910931</p>										
8	M912522	 <p>DO NOT put hands and arms into the carriage moving area. N'insérez pas vos doigts ni vos bras dans le champ de déplacement du chariot. キャリッジ可動範囲に 指、腕などを 入れないこと</p>										
9	M912523	 <p>CAUTION Attention à la partie mobile 可動部注意</p>										

Chapter 1

Before Use



This chapter

describes the items required to understand before use, such as the name of each part of the machine or the installation procedures.

About installing this machine	1-2	Connecting Cables	1-8
Where to Install This Machine	1-2	Connecting USB2.0 Interface Cable	1-8
Working Environmental Temperature	1-2	Connecting the LAN cable	1-9
About fixing machine	1-2	Connecting Power Supply Cable	1-10
Moving This Machine	1-2	Fill ink in the ink tank and charging	1-10
Names of Parts and Functions	1-3	Caution in handling of ink bottles	1-12
Front Side of the Machine	1-3	Media	1-13
Rear Side and Right Side of the Machine ...	1-4	Usable sizes of media	1-13
Operation Panel	1-5	Caution in handling of medias	1-14
Heater	1-7		
Media sensor	1-7		
Carriage	1-7		
Capping station	1-8		
Pinch rollers and Feed rollers	1-8		

About installing this machine

Where to Install This Machine

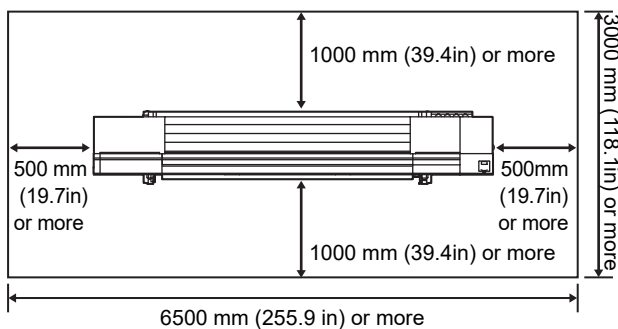
Secure a suitable installation space before assembling this machine.

The place of installation must have enough space for not only this machine itself, but also for the printing operation.

Model	Width	Depth	Height	Gross weight
SWJ-320EA	5410mm (213.0in)	995mm (39.2in)	1440mm (56.7 in)	910 kg (2006.2lb)



- If the place to install the machine is exposed to strong sunlight around the window, draw a curtain to prevent the machine from being exposed to strong sunlight.



Working Environmental Temperature

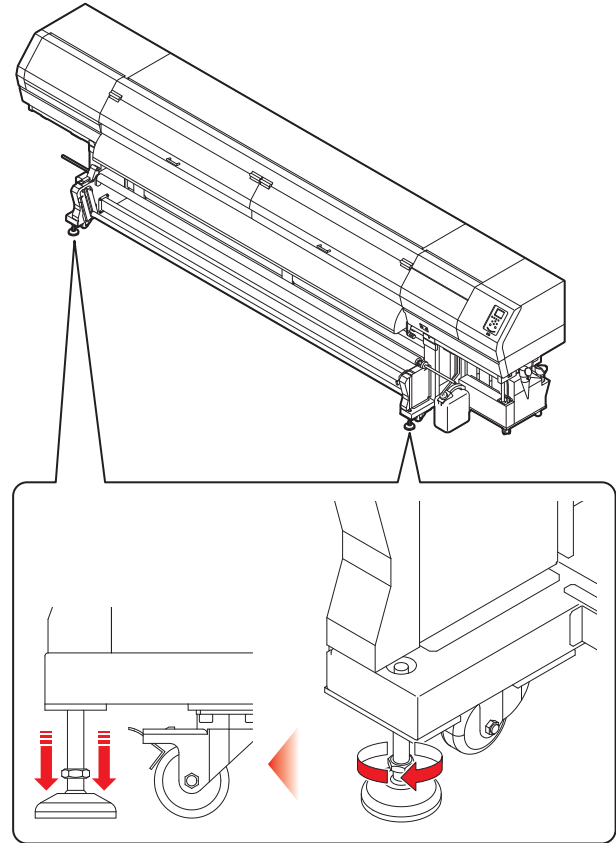
Use this machine in an environment of 20 to 30°C to ensure reliable printing.

The heater temperature may not reach the set value, depending on the ambient temperature.

About fixing machine

The leg of this machine has the level foot to fix the machine.

Before turning the power ON, make sure that the printer body is fixed with the leveling feet. The printer body may start moving during operation if it is not fixed with the leveling feet.



Moving This Machine



- When the machine is moved to any place other than on the same step-free floor, contact your distributor or our service office. If you move it by yourself, failure or damage may occur. Be sure to request your distributor or our service office to move this machine.

Names of Parts and Functions

Front Side of the Machine

Left side maintenance cover

Open the cover in maintenance. Even when the power button is off, keep all covers closed.

Platen

The printed media is sent out, sliding on the platen.

Front cover

Open the cover in setting of medias, taking of measures against jamming of medias. Even when the power button is off, keep this cover and the other covers closed.

Right side maintenance cover

Open the cover in maintenance inside the station.

Take-up unit

Take up the output drawn with a roll media automatically.

Operation panel

This panel has the operation keys required for operating the machine and the LCDs for displaying setting items, etc.

Tension bar

Brings tension to the media.

Waste ink tank

Waste ink gathers in this tank.

Clamp lever (front)

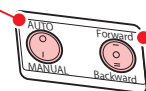
Moves the pinch rollers up and down to hold or release the media.

Stand

Supports the main body of the machine.

Taking-up Manual switch

Changes the taking-up method (AUTO/MANUAL).



Taking-up direction switch

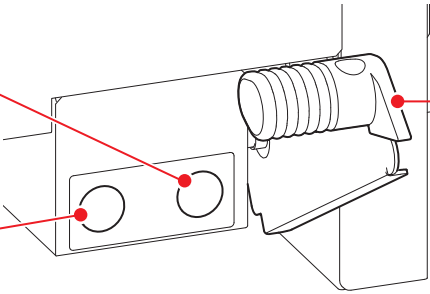
Changes the taking-up direction (Forward/Backward/OFF).

Rear Side and Right Side of the Machine

Feeding Manual switch
Changes the feeding method (AUTO/MANUAL).

Feeding direction switch
Changes the feeding direction (Forward/Backward/OFF).

Clamp lever (rear)
Interlocks with the clamp lever in the front of this machine.



Pre-heater
Preheats the media before printing. (Located inside the cover)

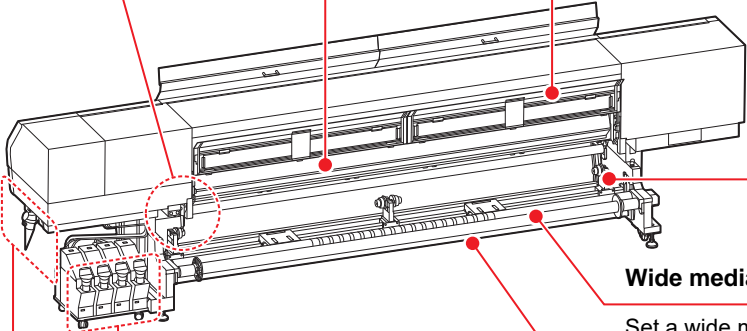
Rear cover
Open the cover in setting of medias, taking of measures against jamming of medias. Even when the power button is off, keep this cover and the other covers closed.

Roll holders
Uses when printing a media of vinyl chloride or photo paper.

Wide media set area (2 bars)
Set a wide media.

Tension bar
Brings tension to the media.

Ink supply unit
Set the ink tank.

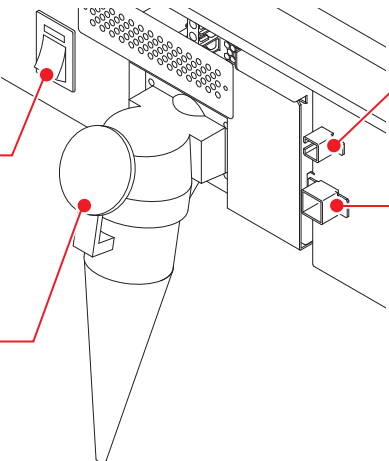


Main power switch
Turns on/off the main power for this machine. Leave the main power turned on to prevent ink clogging.

AC inlet
Connect the power cable to the AC inlet.

USB 2.0 connector
This is USB2.0 interface connector.

LAN connector
This is Ethernet interface connector.



Operation Panel

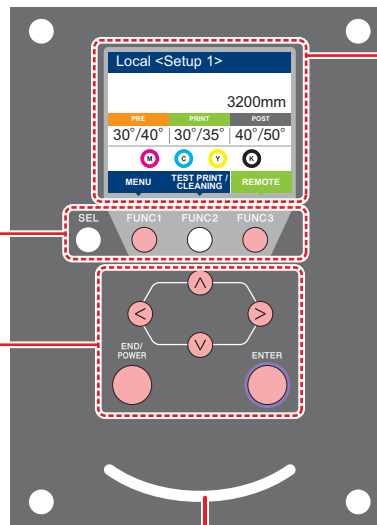
Use the operation panel to make settings for printing or operate this machine.

SEL key

Changes over the functions of the function keys ([FUNC1]–[FUNC3]).

FUNC1 / **FUNC2** / **FUNC3** key

Press this to set various functions or to do test printing. The function keys' functions are changed each time [SEL] key is pressed.



Display

Displays the following items:

- Printer status
- Set media width
- Heater temperature (current temperature/set temperature)
- Ink status ^{*1}
- Functions assigned to [FUNC1] to [FUNC3] ^{*2}

JOG key

Use these keys to shift the carriage or the media in [LOCAL]. Also use them to select an item of printing conditions.

END/POWER key

Cancels the last input value or returns the setting menu to the immediate higher level of the hierarchy. Also, press this to turn the power on or off. (Give it a long press to turn the power off.)

ENTER key

Registers the last input value as the setting value or goes to the immediate lower level of the hierarchy.

Status indicator lamp

Indicates the machine's status (printing, error occurred, etc).

Condition of Lamp	Condition of machine
OFF	Machine is in LOCAL mode, no print data has been received, and no errors have occurred.
Lit steady Light blue	Switched to Remote mode.
Flashing Light blue	Currently printing.
	In test printing: printing a pattern stored inside the machine.
Lit steady blue	Print data still remains in the machine.
Flashing red	Error has occurred.
Lit steady red	Error (SYSTEM HALT) has occurred.



- The [ENTER] key under the operation panel lights in blue when the power is turned on, and off when the power switch is turned off. The ink clogging prevention function is periodically operated even when the power switch is OFF if the main power switch keeps being ON. (Auto maintenance function) P.1-4





*1 : Ink Status

Status of the ink tank (remaining ink/error, etc.) is displayed using icons. Each icon is described below.

Icon	Contents																		
	Displays the remaining ink amount in nine levels, in the order of the ink cartridge set in the slot. The remaining amount decreases moving to the right. <table border="1" style="margin: 10px auto;"> <tr> <td></td> <td></td> <td></td> <td></td> <td></td> <td></td> <td></td> <td></td> <td></td> </tr> <tr> <td>ink full</td> <td>Approximately 1/8 consumed</td> <td>Approximately 1/4 consumed.</td> <td>Approximately 3/8 consumed.</td> <td>Approximately 1/2 consumed.</td> <td>Approximately 5/8 consumed.</td> <td>Approximately 3/4 consumed.</td> <td>Approximately 7/8 consumed.</td> <td>near end</td> </tr> </table>										ink full	Approximately 1/8 consumed	Approximately 1/4 consumed.	Approximately 3/8 consumed.	Approximately 1/2 consumed.	Approximately 5/8 consumed.	Approximately 3/4 consumed.	Approximately 7/8 consumed.	near end
ink full	Approximately 1/8 consumed	Approximately 1/4 consumed.	Approximately 3/8 consumed.	Approximately 1/2 consumed.	Approximately 5/8 consumed.	Approximately 3/4 consumed.	Approximately 7/8 consumed.	near end											
	Displayed when ink end or ink error occurs, and printing cannot be performed.																		
	Displayed when the expiration date of the ink consumption expires. Replace with new ink or use up as soon as possible. It is possible to print.																		

*2 : Functions assigned to [FUNC1] to [FUNC3]

Contents of functions assigned to [FUNC1] to [FUNC3] are described below.

Icon	Contents
	Displays "MENU" for setting functions.
	Displays maintenance functions such as test print, cleaning, etc.
	Shifts to Remote from LOCAL and starts printing.
	Displays adjustment functions such as Feed Comp, DROP.POScorrect, etc.
	Sets the heater temperature.
	Executes data clear.
	Suspends printing in Remote and shifts to LOCAL.
	Used for adjusting and resetting the waste ink amount. Use after disposing of the waste ink.
	When there are multiple items on the MENU screen or other screens, it moves to the next page.
	When there are multiple items on the MENU screen or other screens, it moves to the previous page.
	Used for completing confirmation when warning message has been displayed and so on.
	Used for turning functions OFF or cancelling them, for example, when turning heater settings OFF and so on.
	Some kind of setting or function is assigned. Operate according to the description of each function.
	Switches between enable/disable when selecting multiple items, for example, when selecting target head for cleaning and so on.
	The vacuum fan is always ON.
	The vacuum fan is only ON during printing and jog operation.
	Used for adjusting the head height.



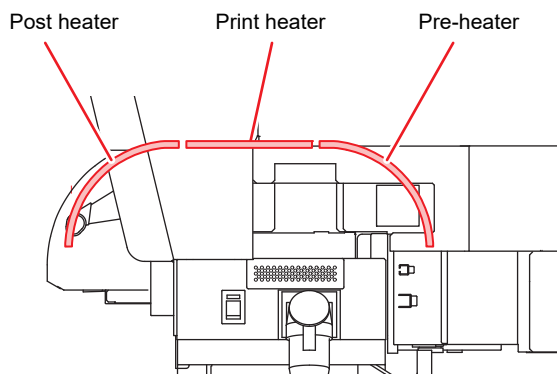
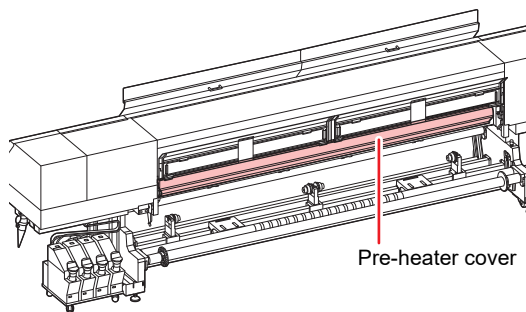
- The color of icons changes according to the state of the printer.
 When the icon is green: The printer is in Remote mode.
 When the icon is dark blue: The printer is in LOCAL mode.

Heater

Pre-heater, Print heater, and Post-heater are equipped on the platen. Pre-heater is used for pre-heating of the media prior to printing. Print-heater improves the image quality in printing. Post-heater dries ink after printing.



- During the heating by the pre-heater, the pre-heater cover is hot on the backside of this machine. Before opening the backside cover or changing the media, allow the pre-heater to cool down sufficiently. Failure to do so may cause a burn injury.
- Before changing the existing media with a thin media, allow the pre-heater to cool down sufficiently. If such a change is made while the pre-heater cover is hot, the thin media might stick fast to the platen, or get wrinkled or curled.
- If the media floats as wave, press the [▼] button on the operation panel to feed the media.

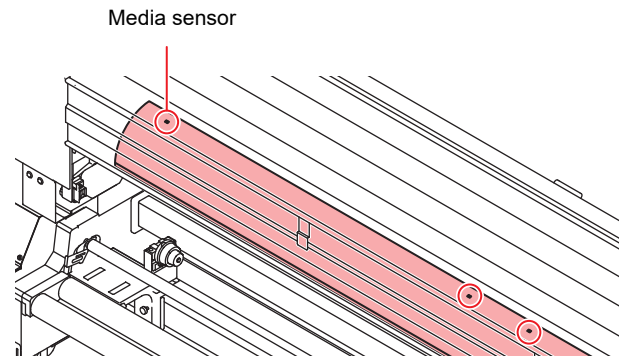


Media sensor

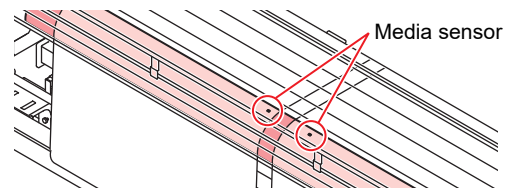
The media sensor detects the presence of the media. This machine has three media sensors on the pre-heater cover (in the rear).



- When setting a media, be sure to cover one of the media sensors located on the rear of the pre-heater cover. The media cannot be detected unless it is placed over the sensor.

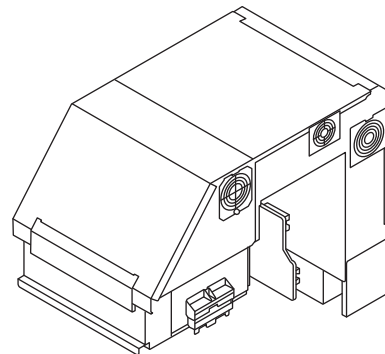


- When using twin rolls, set each of the media in such a manner as to cover over each of the two sensors located near the center of the pre-heater cover. Otherwise, this machine might be damaged.



Carriage

The carriage has the ink head for printing.



Capping station



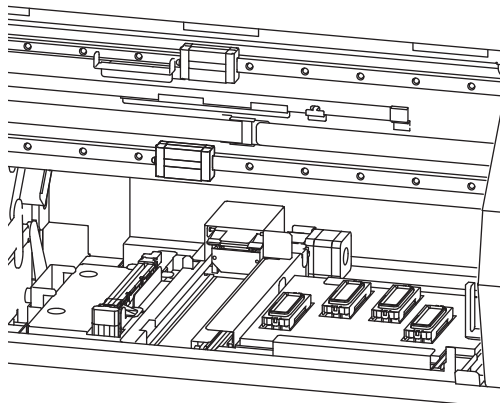
- Be sure to wear the attached safety glasses in cleaning within the capping station to protect your eyes against ink. Otherwise, you may get ink in your eyes.

The capping station consists of the ink caps, the wiper for cleaning the heads, etc.

The ink caps prevent the nozzles in the heads from drying up.

The wiper cleans the nozzles in the heads.

The wiper is consumable. If the wiper is deformed or the media is stained, replace the wiper with a new one. (P.4-19)

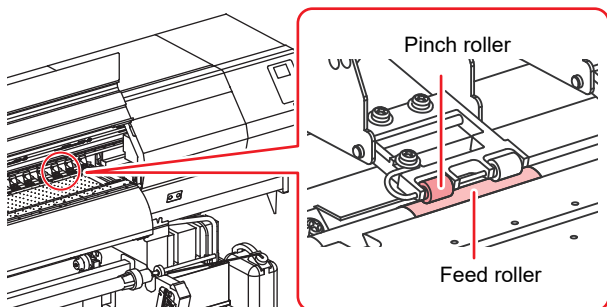


Pinch rollers and Feed rollers



- Keep the pinch rollers lifted up when this machine is not in use. If the pinch rollers are left lowered for an extended period of time, they can be deformed and fail to securely retain the media.

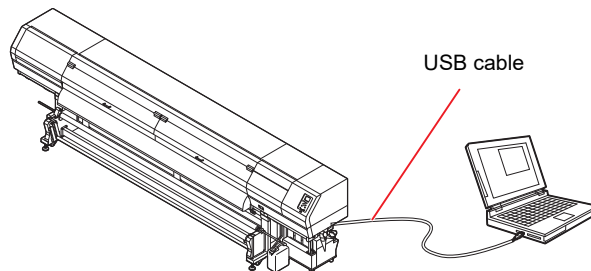
This machine retains the media with the pinch rollers and feed rollers. During printing operation, the feed rollers feed the media forward.



Connecting Cables

Connecting USB2.0 Interface Cable

Connect the PC and this machine with the USB2.0 interface cable.



- Your RIP must be compatible with USB 2.0.
- Contact a RIP maker near your location or our office when the USB2.0 interface is not attached to the PC.

Notes on USB 2.0 Interface

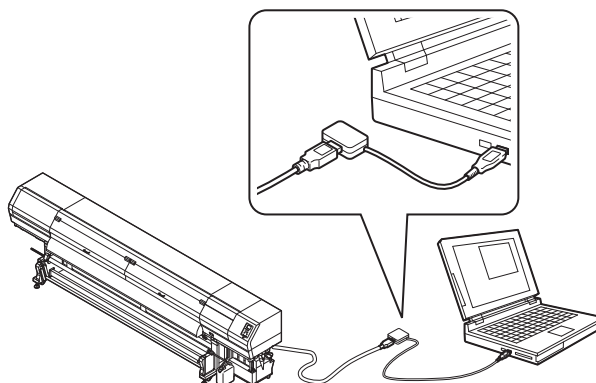


- Your RIP must be compatible with USB 2.0.

● When two or more SWJ-320EA machines are connected to one personal computer

When two or more SWJ-320EA machines are connected to one personal computer, the personal computer may not recognize all the SWJ-320EA machines normally.

Reconnect the unrecognized SWJ-320EA machine to another USB port, if available, and check to see if it is recognized. If the SWJ-320EA machine is not recognized by the newly connected USB port, use USB 2.0 repeater cables available on the market.



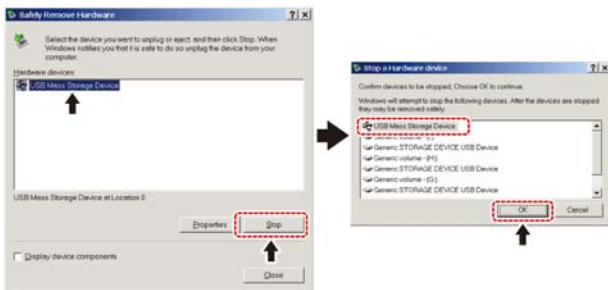
● Notes on peripheral devices in USB high speed mode

When a peripheral device (USB memory or USB HDD) to be operated in USB high speed mode is connected to the same personal computer that a SWJ-320EA machine is connected to, the USB device may not be recognized. When SWJ-320EA is connected to the personal computer to which an external HDD is connected via USB, the speed of data output to SWJ-320EA may drop. That can cause the head unit to stop temporarily at the right or left end during printing.

● Removing USB memory

If a USB memory module is inserted in the personal computer to which a SWJ-320EA machine is connected, click "Stop" in the "Safely Remove Hardware" window by following the instructions given there first and then remove the module.

Leaving a USB memory module inserted can cause [ERROR 201 COMMAND ERROR]. Copy the data onto the hard disk before outputting it for printing.



Connecting the LAN cable

When connecting LAN cable, be sure to follow the note below:

- Important!** • Surely insert LAN cable until clicking noise sounds.
- Do not plug in or unplug any cable during data transferring.

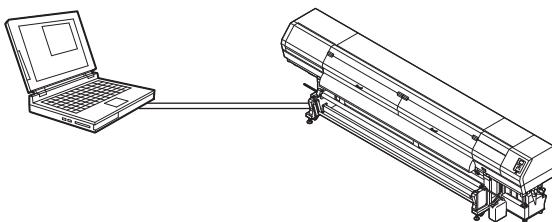
Printing Via a Network

If printing via a network, you need to configure your network with the following environment. If you configure it with an inappropriate environment, it could cause printing to stop.

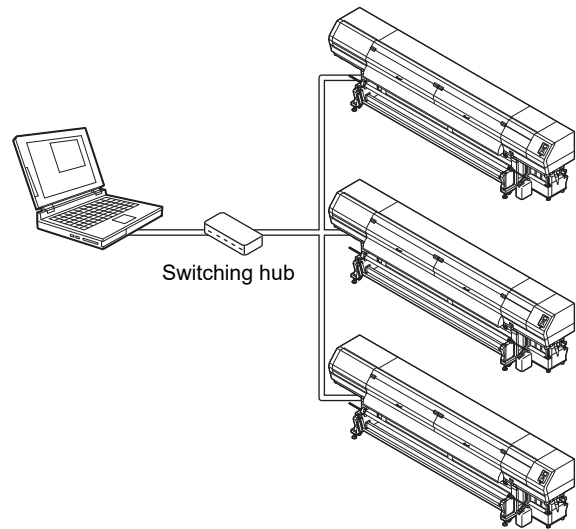
- Use LAN cables that are category 6 or higher.
- Use a switching hub and PC that support 1000BASE-T.

- Important!** • Set the PC sending the print data and the printer to the same network.
- You cannot connect via a router.

● If connecting directly to the printer



● If connecting via a switching hub



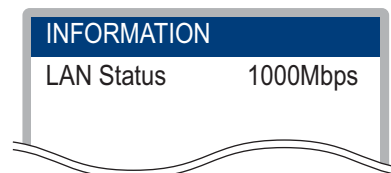
If the PC or device connected to the printer is not 1000BASE-T, you cannot perform printing. After connecting, check the following.

(1) Check the printer screen display.

- On the local screen or the media detection screen, press the [Enter] key several times to display the information screen.
- Check that "1000Mbps" is displayed for the LAN status item.

Important!

- If "100Mbps", "10Mbps", or "No connect" is displayed, you cannot print using the LAN.
- If "100Mbps" or "10Mbps" is displayed, you can use event mail (Chapter 3 "Setting event mail function").



(2) Check the green light of the LAN connector.

- After turning on the machine, the lamp for the LAN connector will light up as follows.

Color	Status	Condition
Green	ON	Connected with 1000BASE-T
	OFF	Connected without 1000BASE-T
Yellow	ON	Link-up
	Blinking	Receiving data
	OFF	Link-down

Important!

- If the yellow light only lights up, or is blinking, the status is not 1000Mbps. Check the specifications of the PC, device, and cables.

Connecting Power Supply Cable

You are not allowed to install the printer by yourself. Be sure to request MIMAKI's service personnel and an electrician to install the printer.



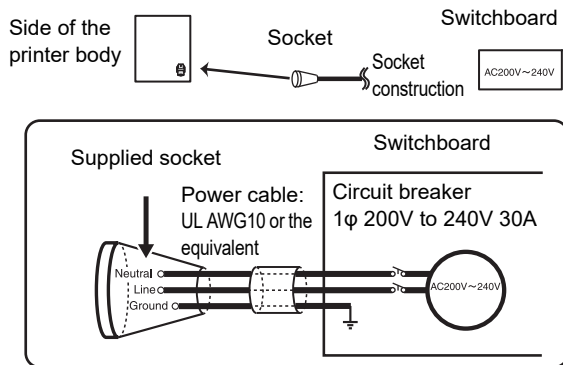
- The power supply specifications of this machine is as below:
Single-phase 200 to 240 Vac 29A (cannot be used with 100 V system)
- For the power supply to the main body of the printer, electrical work is required as described below. Request an electrician to perform electrical work.
- Socket installation onto the circuit breaker
- Grounding work
- Ensure that a wall outlet is available near the printer. Also ensure that the power cable can be easily unplugged whenever necessary.
- To prevent electrical shock hazard, it is prohibited for anyone other than electrician licensees to perform the electrical work for this printer.
- Take care not to miswire, which can result in a fire or an electric shock.



- When any power cable other than the supplied one is to be used, make sure that the cable is equivalent to one of the following types. Connect the cable as shown below.
- VCT-5.5m m² x33 cores (600 V)
- UL-AWG10x3C (600V)

For power supply connection, this printer uses the Type B plug and socket in compliance with IEC 60309. When a socket construction meeting the plug of the power cable of this printer is required, use the supplied socket and perform construction between your switchboard and the socket.

Socket construction



Fill ink in the ink tank and charging

Fill ink in the ink tank of this machine.



- Be sure to wear the attached safety goggles and gloves to perform the work. Ink may get in your eyes.

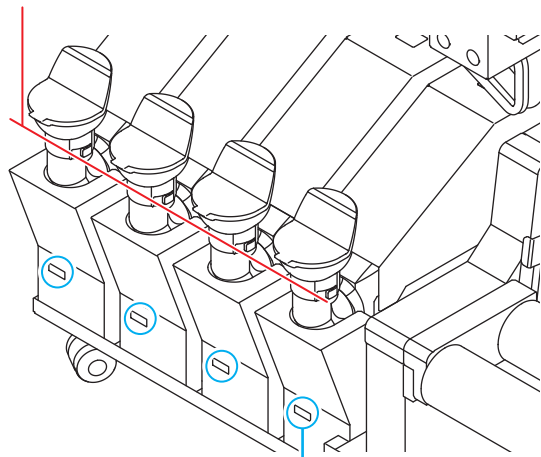
Rough standard for adding ink

You can check the current amount of ink in the ink tank of this machine (rough standard) with the ink remaining amount indicator below the ink tank.

The way to check the ink remaining amount indicator and the ink remaining amount are as below.

In addition, when this machine enters into the status of [Ink Near END] or [Ink End], the display indicate it.

Line of mouth for adding ink



Ink remaining amount indicator



- Notes before adding ink
- Check the following before adding ink. Failure to do so could require all of the ink inside the ink supply unit to be discarded.
- Type of ink
- Color of ink
- Expiration date of ink
Check both expiration dates of the ink contained in the ink bottle for refilling and the ink tank of this machine.
Check the label for the expiration date of the ink bottle.
Press the [ENTER] key to check the expiration date of the ink remaining in the ink tank of this machine. (P.3-22)

Status of ink remaining amount indicator						
Status of ink amount	Ink near end/ Ink end					Ink full
Judgment for adding	Adding is possible.	Adding is possible.	Adding is possible.	Adding is possible.	Adding is completed.	Adding is completed.
Current ink amount *1	About 0 to 400cc *2	About 400 to 1800cc	About 1800 to 2000cc	About 2000 to 3400cc	About 3400 to 3600cc *3	
Distance from liquid level to mouth for adding	180mm and more	About 135mm and more	About 130mm	About 75mm and more	About 75mm and less	

*1. The ink remaining amount indicator is only rough standard. For ink filling, it is recommended to check the liquid level from the mouth for adding ink.

*2. 400 cc indicates [INK NEAR END] and 300 cc indicates [INK END].

*3. You can add ink up to 3.6L (liter) in the ink tank set in this machine. However, ink may drop from the mouth for adding ink. When the remaining amount indicator becomes completely red, do not add ink.

1 Insert the ink IC chip into the ink IC slot.

- Use the IC chip attached to the ink bottle for refilling.
- Insert the ink IC chip facing the contacts of IC chip up.

Important!

- Do not dirty or damage the contact of ink IC chip. It may cause not to read the stored information correctly.

2 Confirm the information of ink IC chip, and press the **ENTER** key.

- Confirm the color, ink type, capacity displayed on the display. If incorrect, press [END/POWER] key and reenter.
- When an error message such " WRONG INK IC " is displayed, remove the IC chip once and reinsert it.

Important!

- The ink IC chip charged once cannot be undone. Be sure to press [ENTER] key after the displayed information is confirmed.

3 Confirm the charge completion display.

- When the ink charging is normally completed, the new ink ink expiration date is displayed.
- Reinsert the IC chip when an error occurs.

Important!

- Do not remove the ink IC chip or turn OFF the power to this machine during charging. Doing so may cause a failure to the equipment or the ink IC chip.

4 When charging is complete, remove the IC chip.

Important!

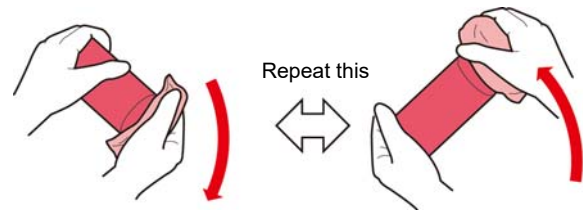
- After charging is complete, be sure to remove and dispose of the IC chip. Do not reuse IC chips.
- If the error message "INVALID INK CHARGE" appears on the display
- Charging was not possible for one or more of the following reasons:
 - (1) Faulty IC chip
 - (2) Attempting to charge ink that has passed its expiration date

5 Take out the ink bottle, and slowly shake it twenty times and more.

- To prevent ink from leaking when you shake it, wear gloves and cover the ink bottle cap with a paper towel etc. Being in that status, slowly shake it twenty times and more by flowing ink.

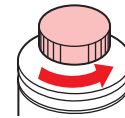


- Before shaking it, check that the cap is firmly closed.
- Be careful not to shake too hard, or it may cause ink leakage or air may be included in the ink and cause nozzle clogging.
- If the remaining amount of ink is less, ink in the bottle cannot be beaten enough. Tilt the ink bottle until it becomes vertical.
- Pour all the ink into the ink tank to avoid leaving ink on the bottle.

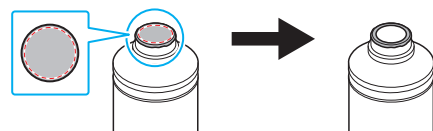


Cover with paper towel firmly and shake ink slowly

6 Remove the ink bottle lid.

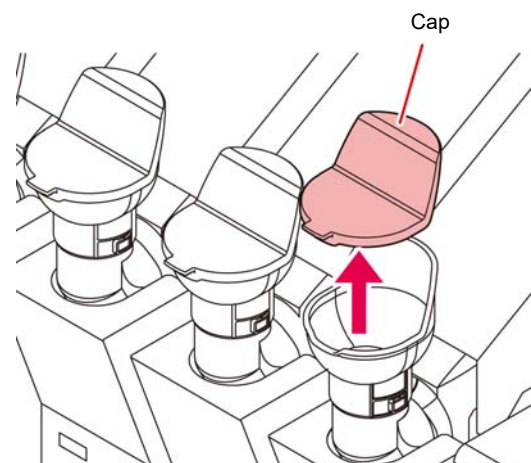


- If the mouth of the ink bottle is fitted with a seal, cut this open using a craft knife. Be careful not to drop the cut seal into the bottle.



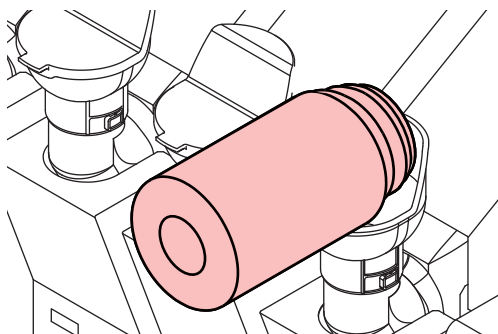
7 Remove the cap of the ink tank.

- First, cover the cap with a waste cloth etc. to prevent your hands from getting dirty and then remove it.

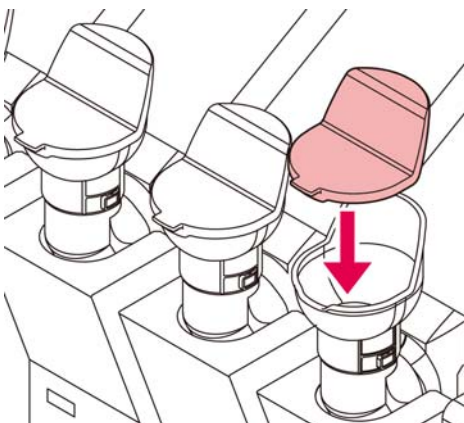


8 While checking the ink remaining amount indicator, add ink.

- Depending on the ink type, aluminum sheet adheres to the bottle top surface. In such a case, remove it with a cutter.
- While checking the ink remaining amount indicator below the ink tank, add ink. For details, refer to P.1-10 "Rough standard for adding ink".



9 Attach the ink tank cap firmly.



- Attach the cap firmly.

10 Lightly press down the ink tank.

- Press down the ink tank about 5mm so that this machine can correctly recognize the amount of refilled ink. Then slowly replace the ink tank.

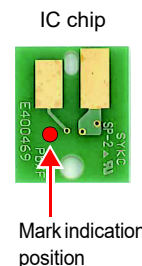


- Do not press down the ink tank 10 mm or more. After pressing down the ink tank, be sure to slowly replace the tank. If the ink tank is returned intensely, the amount of ink cannot be accurately detected.
- Do not press down the ink tank with strong force. It may damage the tank.
- The ink tank, when containing 3 L or more of ink, may not come down sufficiently even if you try to press down the tank. In such a case, do not force down the tank any more.

About IC chip

- The IC chip has information of ink color, remaining amount of ink, expiration data, etc. When filling the ink, insert the IC chip packed with the ink bottle into the IC chip inserting port.
- If an IC chip that is not paired with the ink bottle is inserted, ink can not use.
- The mark indicating color information is pasted on the IC chip.

Ink color	Indication mark
Black	● (one black circle)
Cyan	● (one blue circle)
Magenta	● (one red circle)
Yellow	● (one yellow circle)



When [INK NEAR END] is displayed

There is a little of ink left. You can print continuously, however, ink may end during printing. It is recommended to add ink as soon as possible.

Press the [ENTER] key in Local to check the ink tank that requires refilling in Local Guidance. (☞ P.3-22)

When [INK END] is displayed

When it becomes Ink end (remaining amount of ink is none), the machine cannot print. Refill ink.

Restrictions of this machine

The expiration date of ink consumption is indicated on the ink bottle. If used beyond the expiration date of ink consumption, ink ejection failure and color change may occur. You can print after the expiration date, but we recommend that you replace it with new ink or use it up as soon as possible.

Ex.) When the expiration date is April 2020

- May : Replace with new ink or use up as soon as possible. It is possible to print.
- June : Replace with new ink or use up as soon as possible. It is possible to print.
- July : Cannot print.



- A message will be displayed on the display to let you know.



- When the ink is unusable, printing and/or cleaning operation and charging with the IC chip (☞ P.1-10) are disabled. In that case, please perform the follow operation.
 - Discard the ink remaining in the ink tank of the machine.
 - Refer to "Replace the ink tank" on step 5 of P.4-21, and reset the ink charge information.
 - Press the [END/ POWER] key several times to return to the local.
 - Refill with new ink. Refill with new ink. (☞ P.1-10)

Caution in handling of ink bottles



- If you get ink in your eyes, immediately wash your eyes with a lot of clean running water for at least 15 minutes. In doing so, also wash the eyes to rinse ink away completely. Then, consult a doctor as soon as possible.
- If the ink bottle is moved from a cold place to a warm place, leave it in the room temperature for three hours or more before using it.
- Make sure to store ink bottles in a cool and dark place.
- Store ink bottles and waste ink tank in a place that is out of the reach of children.
- Request an industrial waste processor for processing of empty ink bottles.
- Be sure to thoroughly consume the ink in the ink bottle, once it is opened, within three months. If an extended period of time has passed away after opening the ink bottle, printing quality would be poor.



- Do not shake the ink bottle strongly. It may cause ink leaks or nozzle clogging due to excessive air in the ink.
- Do not touch or stain the contacts of the IC chip. This may cause damages on printed circuit boards.

Media

Usable media sizes and notes for handling are described.

Usable sizes of media

Model		SWJ-320EA	
Type of Recommended media *1		PVC film, tarpaulins	
Maximum width *2		3250mm	
Minimum width		210mm	
Maximum printing width		3200mm	
		When using feeding unit	When using roll holder
Roll media	Thickness	1mm or less (Should not cause trouble during media transport)	
	Roll outside diameter	Φ250mm or less	Φ180mm or less
	Roll weight*3	100kg or less	25kg or less
	Roll inside diameter	3 inches	2 or 3 inches
	Side printed	Inside/outside	
Roll end treatment	The roll end is gently fixed to the core with weak-adhesive tape or weak glue for easy removal.		

*1. Depending on a media to be used, it may not adhere or the media may not be properly fed. Always try and check the media to be used beforehand.

*2. The maximum width including paper core is 1524mm (60 inch) when twin rolls are used.

*3. When holding the right and left side of roll media and when there is no deflection on the roll

Caution in handling of medias

Pay attention to the followings for handling of medias.



- **When handling media, wear the gloves.**
If you touch the media with your bare hand, the media may be stained due to fingerprints or oil of your finger. Be careful about it.
- **Do not leave the media with the heater ON for a long time.**
Waviness may occur on the media and it may cause media clogging.
- **Use media recommended by MIMAKI to ensure reliable, high-quality printing.**
Set the heater temperature to meet the characteristics of the media.
- **Set the temperature of the heater according to the type and characteristics of the media used.**
Automatic temperature setting can be made on the operation panel by setting the profile on the dedicated RIP. For setting on the RIP, refer to the instruction manual for your RIP.
- **Pay attention to the expansion and contraction of the media.**
Do not use media immediately after unpacking. The media can be affected by the room temperature and humidity, and thus it may expand and contract.
The media have to be left in the atmosphere in which they are to be used for 1 day or more after unpacked.
- **Do not use curled media.**
This may result in paper jamming.
If a regular-sized coated sheet of media is rolled and stored, the coated side has to face outside.
- **Be careful to dusts on the edge face of the media.**
Some rolls have dusts contained in the package gathered on the edge surface of the roll. If you use as it is, the drawing quality may be degraded due to nozzle missing or ink drops. Be sure to set the roll after removing dusts adhering on the edge face of the roll.

Chapter 2

Basic Operations



This chapter

describes procedures and setting methods for ink and media preparation, and printing.

Workflow	2-2	Test Printing	2-17
Turning the Power ON/OFF	2-3	Test Printing	2-18
Turning the Power ON	2-3	Head Cleaning	2-18
Turning the Power OFF	2-3	About head cleaning	2-18
Setting a Media	2-4	Perform head cleaning depending on the test printing result	2-18
Note for media setting	2-4	Setting of Media Correction	2-19
Setting a roll media	2-4	Setting of Media Correction	2-19
Setting a narrow roll media	2-8	Correct the ink drop position for bidirectional printing	2-20
Setting two narrow roll media (twin rolls)	2-12	Printing Data	2-21
Setting leaf media	2-15	Starting a Printing Operation	2-21
Removing the taken-up media	2-15	Stopping a Printing Operation	2-21
Changing the printing origin	2-16	Deleting Received Data (Data Clear)	2-21
Preparing for the Heaters	2-17		
Changing the Temperature Settings for the Heaters	2-17		

Workflow

Turning the Power ON/OFF

Referring to “Turning the Power ON/OFF” (☞ P.2-3).

Setting a Media

Referring to “Setting a Media” (☞ P.2-4).

Test Printing

Referring to “Test Printing” (☞ P.2-18).

Head Cleaning

Referring to “Head Cleaning” (☞ P.2-19).

Correct the media feed amount

Referring to “Setting of Media Correction” (☞ P.2-20).

Correct the ink drop position for bidirectional printing

Referring to “Correct the ink drop position for bidirectional printing” (☞ P.2-21).

Printing Data

Referring to “Printing Data” (☞ P.2-22).

Turning the Power ON/OFF

Turning the Power ON

This machine is provided with the following two power switches:

Main power switch :

It is located on the side of this machine. Keep this switch ON all the time.

[END/POWER] key :

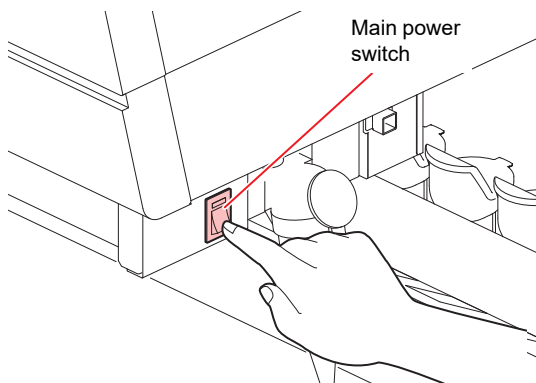
Normally, use this key to turn the power ON/OFF.

The nozzle missing prevention function periodically operates even with the [END/POWER] key turned OFF when the main power switch is turned ON.

- Important!**
- Turn the power ON after the front cover and maintenance cover are closed.

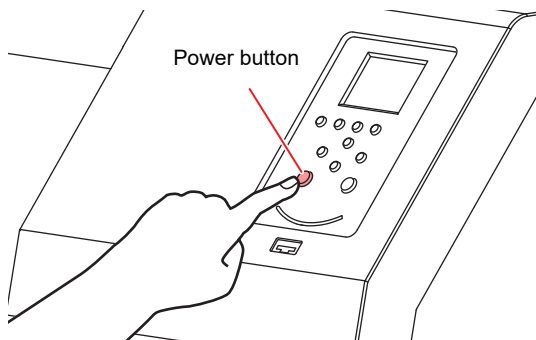
1 Turn the main power switch ON.

- Set the main power switches located on the side of this machine to the "I" side.



2 Turn the power on, by pressing the [END/POWER] key.

- The machine enters LOCAL.



- The firmware version is displayed when the power is turned ON, and the machine performs its initial operation.

3 The machine enters LOCAL.

4 Turn ON the power of the connected PC.



- Always make the main power switch ON. If you leave it OFF, it may cause nozzle missing of the head. In some cases, recovery may become difficult.

Turning the Power OFF

When having ended the operation of the machine, turn the power OFF by pressing the power button located on the front side.

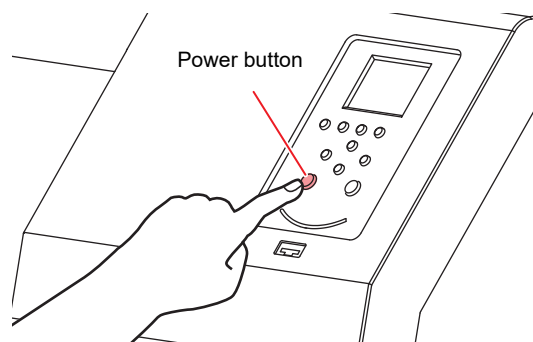
Check the following items when turning the power OFF.

- If the machine is receiving data from the PC or if there is any data that has not been output yet
- If the head has returned to the capping station
- If any error has occurred (☞ P.5-11 "Error messages")

1 Turn OFF the power of the connected PC.

2 Turn the power off, by giving the [END/POWER] key a long press.

- Do not turn OFF the main power switch located on the side of the machine.
- To use this machine again, press the [END/POWER] key .



Cautions about Turning the Power OFF

● Do not turn the main power switch OFF.

When the main power switch is ON, the power periodically turns ON and the nozzle missing prevention function (flushing function) operate.

When the main power switch has been turned OFF, the auto maintenance functions, such as flushing, do not operate, and this may cause nozzle missing.

● Keep the front cover and the maintenance cover closed.

If any of the covers is opened, it will not work auto maintenance functions such as flushing.

● Turn the power OFF after having checked the position of the head.

If the power is turned OFF in a state where the head has not returned to the capping station, the head dries, which may cause nozzle missing.

In this case, turn the power ON again and check that the head has returned to the capping station, and turn the power OFF.

● Do not turn the power OFF during printing.

The head may not return to the capping station.

● After having turned the power switch OFF by pressing [END/POWER] key, turn the main power switch OFF.

When turning the main power switch off for moving the machine or for solving the error or the like, press the [END/POWER] key a long time on the front of the machine, check the display is turned off on the operation panel, and turn the main power switch off.

Setting a Media

This machine can be used with a roll media and leaf media.

For usable media, refer to P.1-13 "Usable sizes of media".

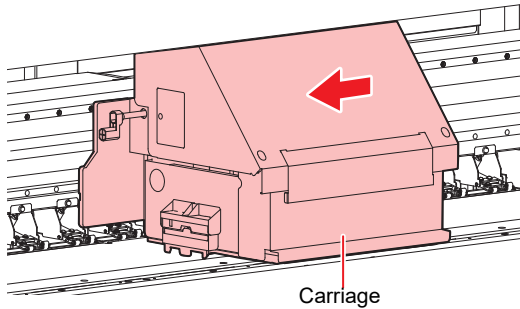
Adjusting the Head Height

Adjust the head height according to the thickness of the media you use.

1

Move the carriage to the platen.

- Execute [ST.MAINTENANCE - CARRIAGE OUT](maintenance function) (☞ P.4-7)



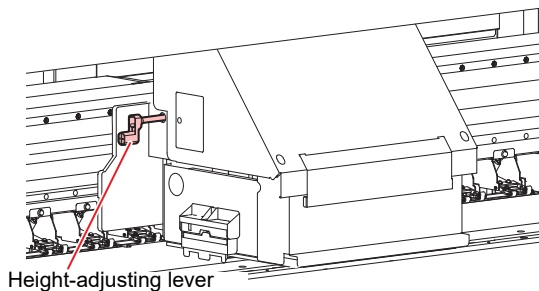
2

Adjust the height-adjusting lever according to the media.

- Adjust the position of the lever, referring to P.2-4 "For the Adjusting Lever and the Range".
- Set the height-adjusting lever to the highest stage or the lowest stage. Setting it to the intermediate height, a printing fault can result.

Important!

- Do not adjust the height-adjusting lever when the print head is capped. Doing so may damage the machine.



3

Return the carriage to the station position.

For the Adjusting Lever and the Range

Lever position	Distance between platen and head	Recommended media
Vinyl Standard	1.7mm (0.067in)	0.3mm (0.011in) or less (PVC film)
Banner Standard	1.9mm (0.075in)	0.5mm (0.020in) or less (Tarpaulins, FF)
High	2.6mm (0.102in)	Used, depending on the situation including a wavy media or the occurrence of cockling.
MAX	3.3mm (0.130in)	



- Please raise the lever when the media is prone to gather dust in the head or is often stained with ink traces.

Important!

In the following cases, perform P.2-21 "Correct the ink drop position for bidirectional printing".

- The lever position is changed.
- The head height is not changed, but the media thickness is changed.

Note for media setting

When setting media, read the following notes carefully.



- Take care not to drop the media on your foot when setting the media. It may cause an injury due to the media.
- When setting a roll media, work by two or more people. Otherwise, you may hurt your back by the weight of the roll media.
- When you raise the clamp lever and cut the media with your tools (cutter, scissors, etc.), be sure to check each item below:
 - Make TAKEUP setting in "TakeUp" of the machine setting "OFF". (☞ P.3-13)
 - Check that the tension bar is at the highest position.

Important!

In the following cases, the media may not be detected correctly.

- When direct sunlight hits the media.
- Do not use a printed media. Otherwise, ink can adhere to the pinch rollers and media may be stained or may not be detected.
- Straighten the significantly or internally curled media to be fed along the platen.
- If the media is left set on the machine for a long time, the media may form an irregular surface for the heat from the heater. If printing on such an irregular surface, the media may rub on the head. If an irregular surface is found under the media, feed the media with the [q] key to avoid printing on the irregular surface, and set a new origin. (☞ P.2-17)
- When setting a media, place the media in the center of the machine. If the media is set to the right or left, the media may not be transported normally.

Setting a roll media

Important!

- Narrow roll media may slip on the wide media set area and feeding cannot be performed properly. For setting a narrow roll media, refer to "Setting a narrow roll media" (P.2-9)



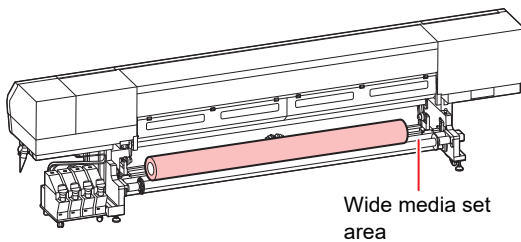
When using a take-up device, it is recommended to set the media with its print-side facing inside.

- This machine allows a media to be set with its print-side facing either inside or outside. Setting the print-side facing inside reduces the variations in tension caused by the changes in the media diameter occurring when the media is taken up, and thus secures stable take-up.

1

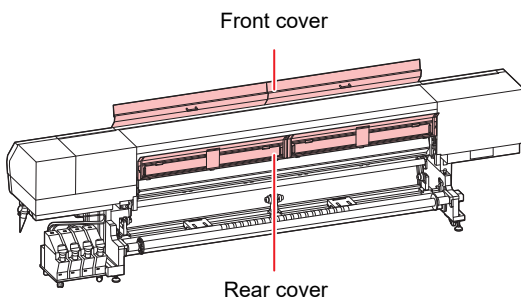
Put the roll media onto wide media set area on the backside of unit.

- Put roll media at the center of the wide media set area.



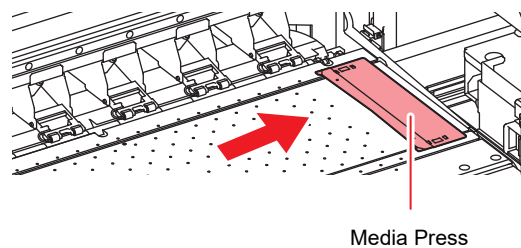
2

Open the front cover and rearcover.



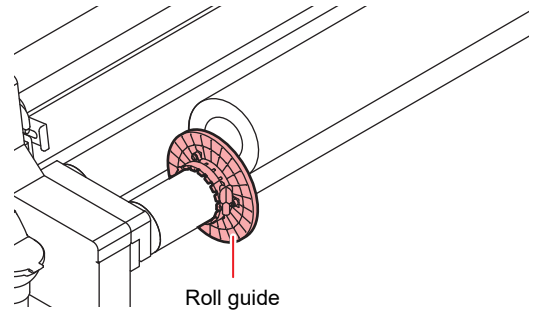
3

Move the media press to outside.

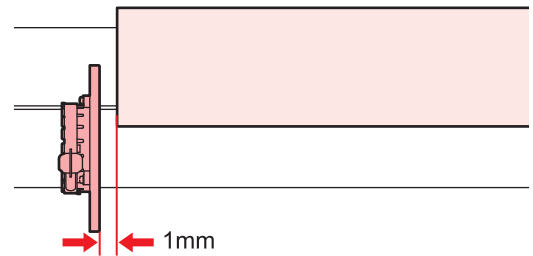


4

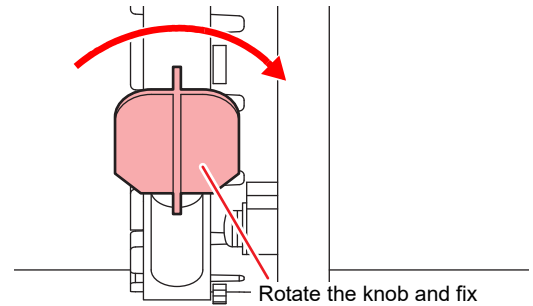
Set the roll guide for right and left.



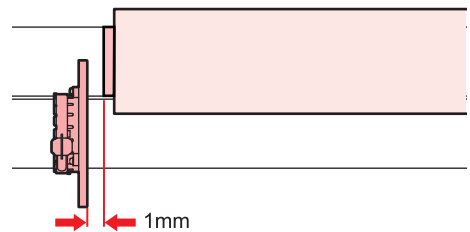
(1) Move the roll guide to the position of 1mm away from the media (paper core).



(2) Rotate the knob and fix the roll guide.

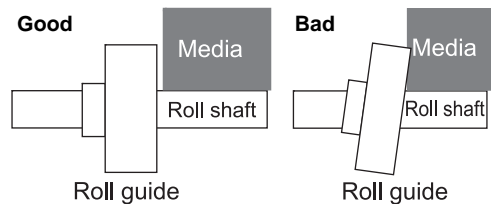


- Set the roller guide in relation to the paper core if the paper core is longer than the media. Failure to do so can result in a feeding fault.



(3) Check that the roll guide is attached vertically against the feeding roll shaft.

(4) Feed the media and check that the roll guide does not apply any stress on the media/ the paper core.

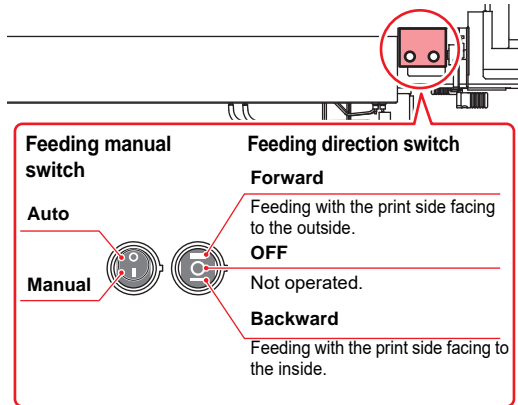


- If you perform printing with the status that the roll guide applies stress on the media/ the paper core, it is possible to detect media end by mistake.

2

5

On the backside of unit, set the feeding device.



If the print-side is inside of roll,

(1) Set the Feeding direction switch at the "Forward" position (upward).

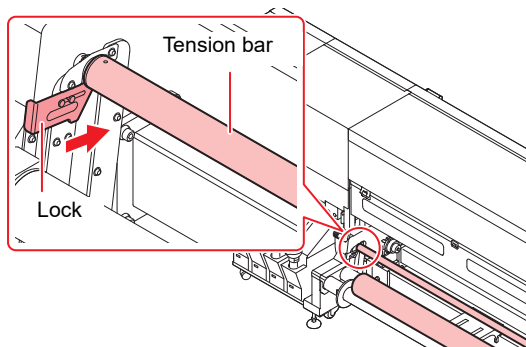


If the print-side is outside of roll,

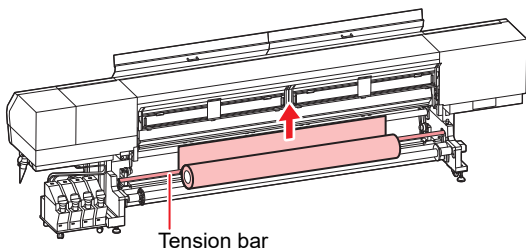
(1) Set the Feeding direction switch at the "Backward" position (downward).

**6**

Raise the tension bar on the backside to the highest position, and lock the bar.

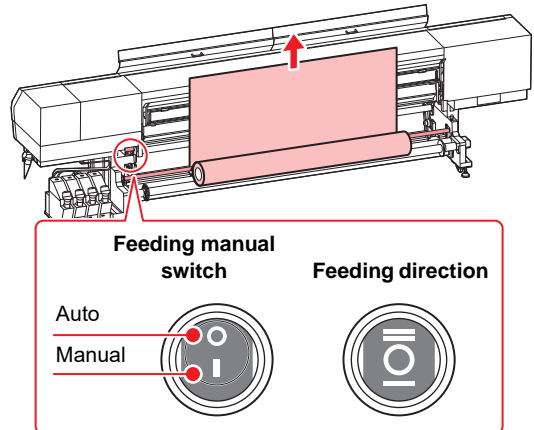
**7**

Pass the media through under the tension .

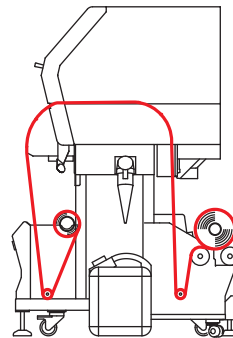
**8**

Set the feeding manual switch to "Manual", and pull the media a little longer.

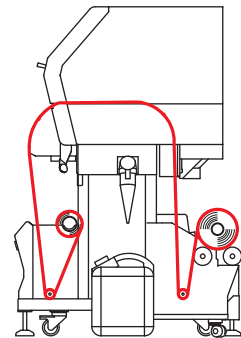
- Pull the media out of the roll so that the media can be grasped from the front of the machine.



Route for the paper of its print-side inside.

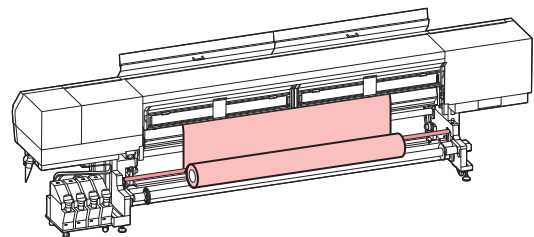


Route for the paper of its print-side outside.

**9**

Slide the media from the back to the front.

- Make the Feeding manual switch "AUTO".



- Insert the roll media between the platen and the pinch roller, and slide it to the front.
- Pull the media out to the front of this machine with enough length.

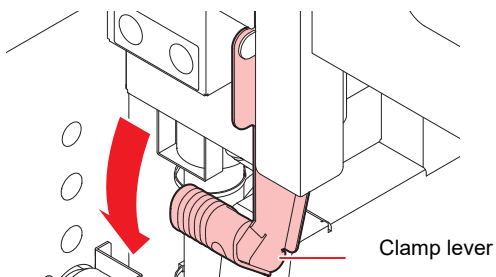


- You can injure your hand if setting the roll media with a bare hand due to the narrowness of the media feeding route. Wear gloves when setting the roll media in order to prevent injury.

10

Close the rear cover.

11 Push down the clamp lever to hold the media.

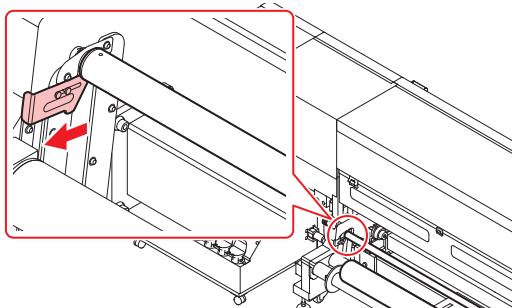


Important! • You can achieve stable media feeding by pulling the media from in front of the machine so that the media tension is even on the left and right when you push down the clamp lever.

12 Set the feeding manual switch to “Manual”, and feed the media about 10 cm.

• After feeding the media, Make the Feeding manual switch “AUTO”.

13 Release the lock of the tension bar.

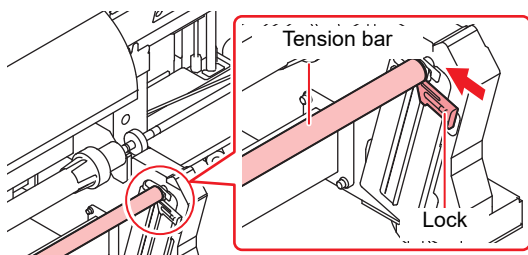


14 Prepare for the take-up device.

Taking-up manual switch	Taking-up direction switch
Auto	Forward Taking-up with the print side facing to the outside.
Manual	OFF Not operated.
	Backward Taking-up with the print side facing to the inside.

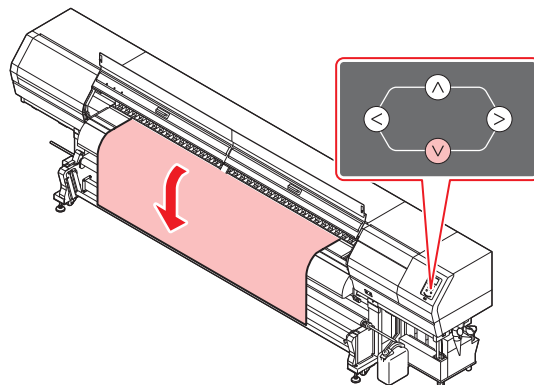
- (1) Set the taking-up direction switch to “OFF” (Center)
- (2) Set the taking-up manual switch to “Auto” (Lower)

15 Raise the tension bar on the front side to the highest position, and lock the bar.



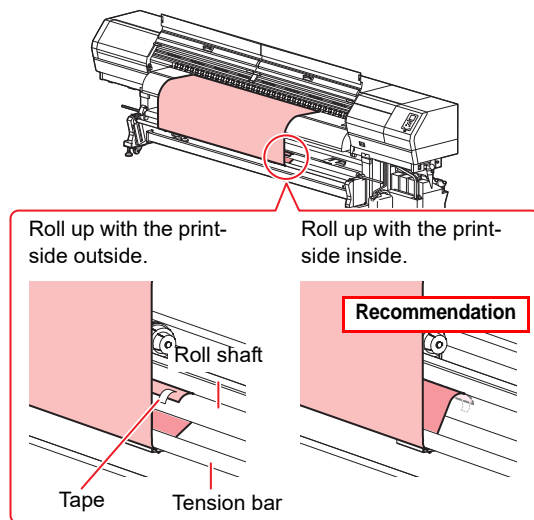
16 Feed the media to the tension bar.

- (1) Pressing the [▼] key, feed the media until the tension bar at the rolling side is being hidden.
 - Check the media end is not caught into the slot on the platen, and feed the media.

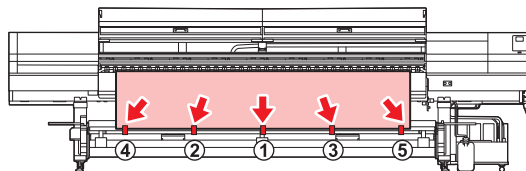


17 Fix the media to the roll shaft.

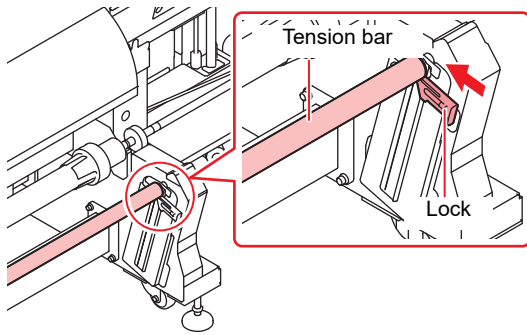
- (1) Route the media from the front side of the tension bar, and fix the media in the center of the roll shaft with adhesive tape.



- (2) In the same manner, fix the left side and right side of the media.
 - Pull roll media evenly for right and left, check that there is no slack or waviness on the media, and paste tape in numerical order.
 - When you place the tape, consider the rolling-up direction.

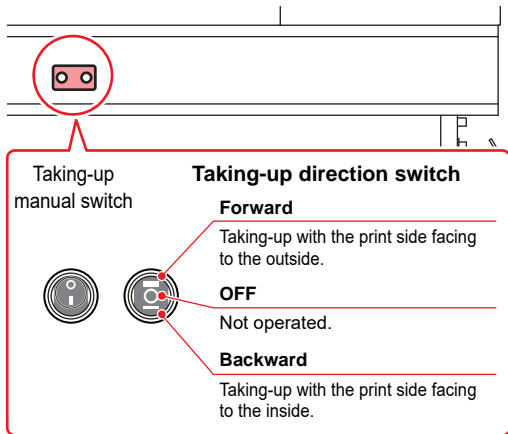


18 Press to feed the media about 10 cm, and then release the lock of the tension bar.



19 Roll up the media.

- (1) Set the taking-up direction switch to "Forward"/ "Backward" according to the taking-up method.
- (2) Press , and rotate the roll shaft 2-3 times to take up the media.
- (3) Press the [ENTER] key.



- **To take up the media with its print-side facing inside:**
Set the taking-up direction switch to "Backward".
- **To take up the media with its print-side facing outside:**
Set the taking-up direction switch to "Forward".
- **To stop taking-up:**
Set the taking-up direction switch to neutral (OFF).

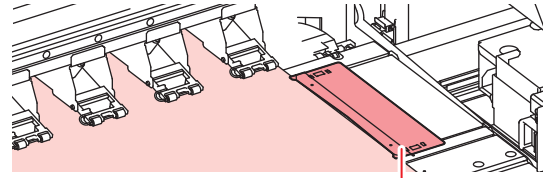
Important!

When using a take-up device, it is recommended to set the media with its print-side facing inside.

- This machine allows a media to be set with its print-side facing either inside or outside. Setting the print-side facing inside reduces the variations in tension caused by the changes in the media diameter occurring when the media is taken up, and thus secures stable take-up.

20 Hold the media with the media press gently.

- Set the media so that no media sticks out from the right end pinch roller to the right side.
- When using a thick media(0.6 to 1.0mm), remove the media press from the media before printing.

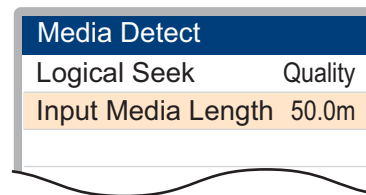


Media Press

21 Close the front cover.

22 Press the key to select "ROLL" .

- If the [Setting the Display of Media Detection] of Machine Setup set in "AUTO"(P.3-15), the machine automatically detects the media width. If set in "MANUAL", refer to P.2-9 "Detecting media width when media detection method is "MANUAL".
- When the detection of media width is over, move to the setting screen of logical seek.



23 Setting the Logical Seek.

- (1) Press to select the set value.
 - Set value : Media/ Data/ Quality
- (2) Press the [ENTER] key.

- When [Media Remain] of the machine setup is "ON" (P.3-14), you are prompted to enter the media remaining amount. (P.2-9)

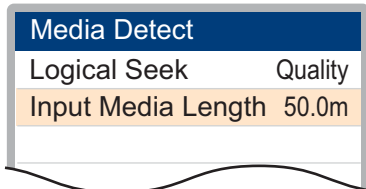
Important!

- When you do not use the take-up device, feed the media until the media reaches the floor, and then print. If you print with the media out of contact with the floor, the media feed amount varies during printing, causing poor printing quality.

About entering media remaining amount

When you set [Media remaining amount display] to "ON" (P.3-14), you are prompted to enter the media remaining amount after completing the setting of the Logical Seek.

- 1 When the setting of the Logical Seek is completed, you are prompted to "Input Media Length".



- When you set "Media remaining amount display" of the machine setting to "OFF", this screen is not displayed. (P.3-14)

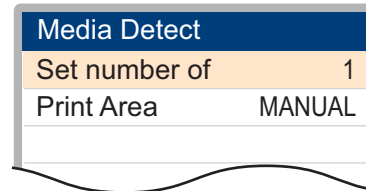
- 2 Press to enter the media remaining amount.

- 3 Press the key.

Detecting media width when media detection method is "MANUAL"

- 1 Press to select a media (roll or leaf).

- The media detection screen appears.



- 2 Press to enter the number of mounted media, and press the key.

- 3 Select and press the key.

- The "RIGHT EDGE POSITION" screen will be displayed.

- 4 Press to move the head, align the LED pointer to the right edge of the media and press the key.

- The "LEFT EDGE POSITION" screen will be displayed.

- 5 In the same way as in step 4, decide the left edge position of the media and press the key.

- Media width is set.
- When the media detection is completed, the screen of "Setting a roll media as described in step 21 is displayed. Follow the steps 22 and later.

Setting a narrow roll media

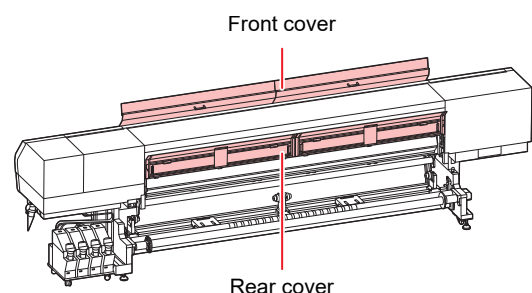
When you use narrow roll media (up to 1.6m), set the media on the narrow roll holder.

Important!

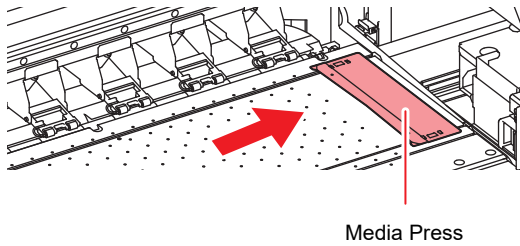
- At the take-up side, set the printed surface to "involved". (If you set it to "revolved", it may adversely affect the media feeding.)
- When setting a media, place the media in the center of the machine. If the media is set to the right or left, the media may not be transported normally.

- 1 Set the setting of the feeding unit to "OFF" in "Setting Feeding unit" of the machine setting. (P.3-13)

- 2 Open the front cover and rear cover.



3 Move the media press to outside.



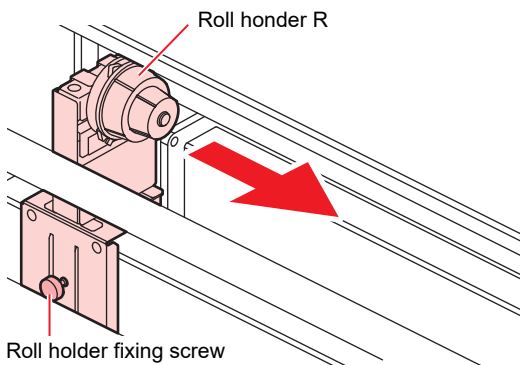
Media Press

4 Move the roll holder R on the back of this machine.

- Loosen the roll holder fixing screw and then move it.
- **Move the roll holder to such a position that the media will be set in the center of this machine.**



- The roll holder guide shaft has a mark indicating the center position. Refer to this mark when setting.

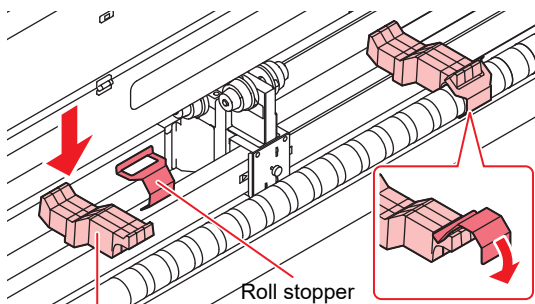


Roll holder fixing screw

5 Tighten the fixing screw of roll holder R.

6 Set the roll tables as shown in the figure and temporarily place the media on top of the tables.

- Keep a proper space between the tables to stabilize the media.



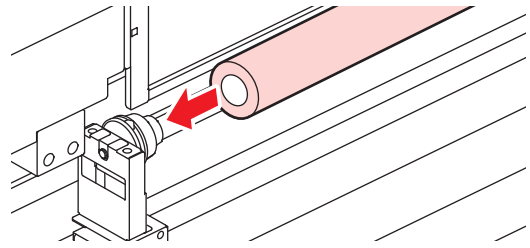
Roll table

Roll stopper



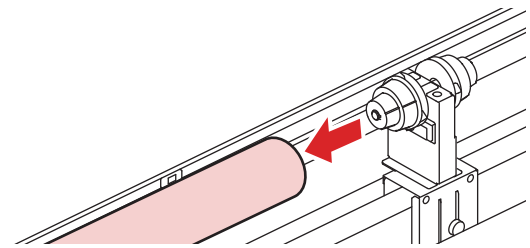
- If it is difficult to directly set the media in the roll holders, temporarily set on the roll tables and then set the roll holders to make setting easier.

7 Insert the paper core into the roll holder R.

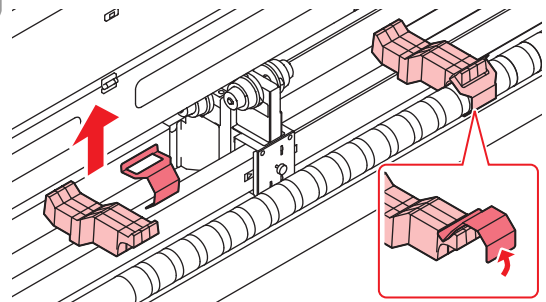


8 Loosen the screw of the roll holder C then insert the holder into the core of the roll media.

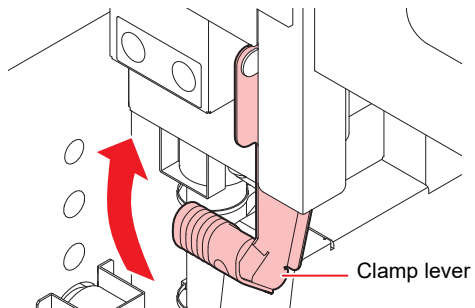
- Push the roll media onto the roll holder until the roll core is all the way seated.



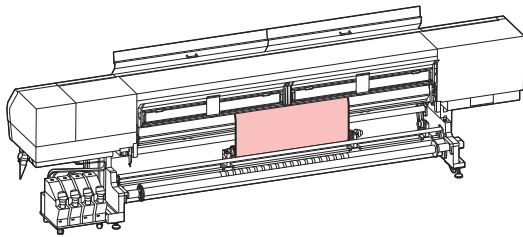
9 Remove the roll tables



10 Raise the clamp lever in the rear side of this machine.



11 Insert the roll media in this machine.



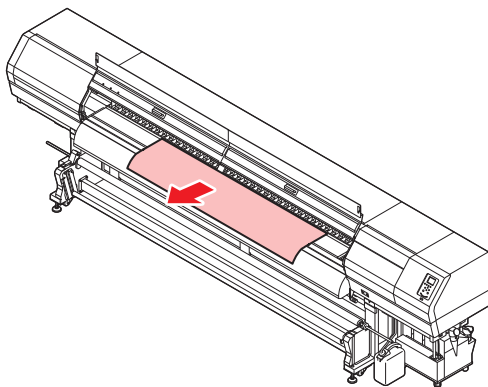
- Insert the media from the end first so that there is little catching and the media can be inserted smoothly.

- (1) Pull the media out of the roll to the head of the platen.
- (2) Insert the media between the platen and the pinch roller.
 - Pull the media out of the roll so that the media can be grasped from the front of the machine.
- (3) Push down the clamp lever from the back of this machine.
 - The media is held.

12 Close the rear cover.

13 Pull out the roll media out.

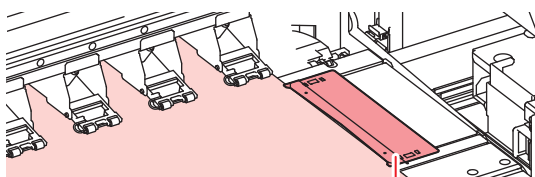
- (1) Raise the clamp lever from the front of this machine.
- (2) Pull out the roll media gently.



14 Push down the clamp lever from the front of this machine.

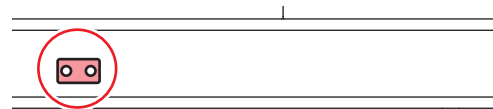
15 Hold the media with the media press gently.

- Set the media so that no media sticks out from the right end pinch roller to the right side.
- When using a thick media, remove the media press from the media before printing.



Media Press

16 Prepare for the take-up device.



Taking-up manual switch

Auto

Manual

Taking-up direction switch

Forward

Taking-up with the print side facing to the outside.

OFF

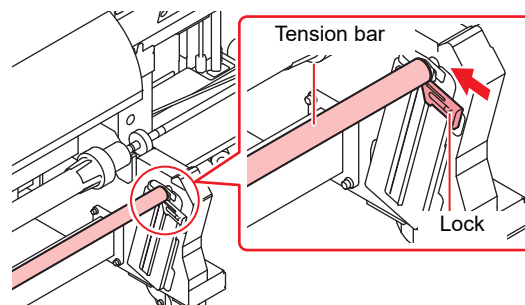
Not operated.

Backward

Taking-up with the print side facing to the inside.

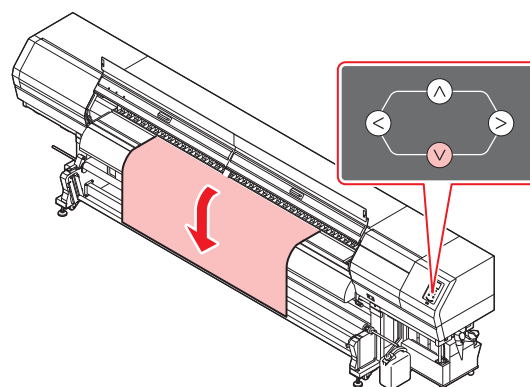
- (1) Set the taking-up direction switch to "OFF" (Center)
- (2) Set the taking-up manual switch to "Auto" (Lower)

17 Raise the tension bar on the front side to the highest position, and lock the bar.



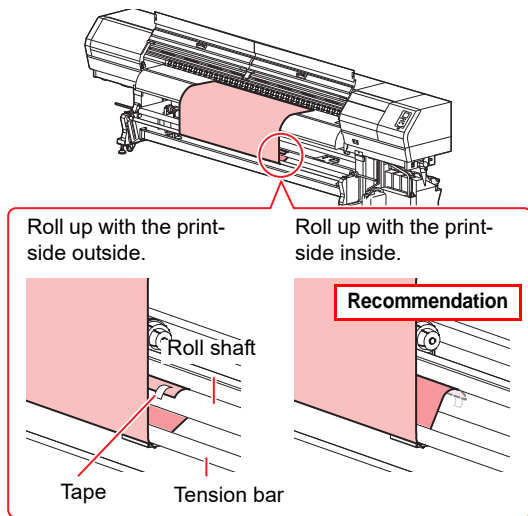
18 Feed the media to the tension bar.

- (1) Pressing the [▼] key, feed the media until the tension bar at the rolling side is being hidden.
 - Check the media end is not caught into the slot on the platen, and feed the media.



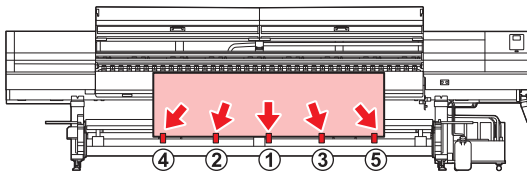

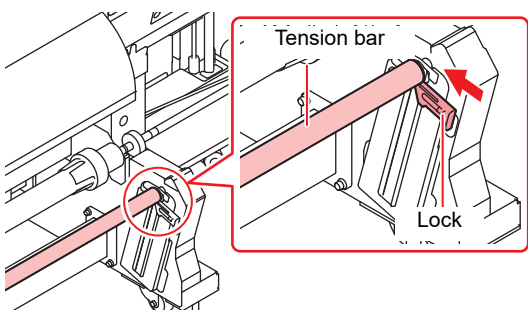
19**Fix the media to the roll shaft.**

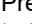
- (1) Route the media from the front side of the tension bar, and fix the media in the center of the roll shaft with adhesive tape.

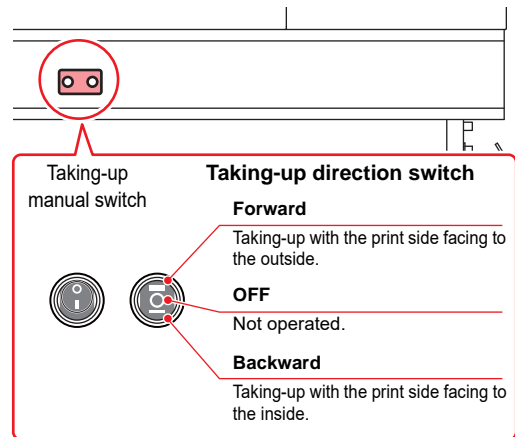


- (2) In the same manner, fix the left side and right side of the media.

- Pull roll media evenly for right and left, check that there is no slack or waviness on the media, and paste tape in numerical order.
- When you place the tape, consider the rolling-up direction.

**20****Press  to feed the media about 10 cm, and then release the lock of the tension bar.****21****Roll up the media.**

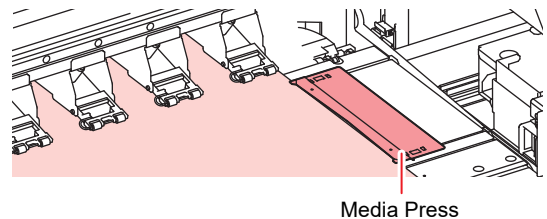
- (1) Set the taking-up direction switch to "Forward"/ "Backward" according to the taking-up method.
- (2) Press , and rotate the roll shaft 2-3 times to take up the media.
- (3) Press the [ENTER] key.




- **To take up the media with its print-side facing inside:**
Set the taking-up direction switch to "Backward".
- **To take up the media with its print-side facing outside:**
Set the taking-up direction switch to "Forward".
- **To stop taking-up:**
Set the taking-up direction switch to neutral (OFF).

22**Hold the media with the media press gently.**

- Set the media so that no media sticks out from the right end pinch roller to the right side.
- Set the media press to the position of 3mm away from the media.
- When using a thick media, remove the media press from the media before printing.

**23****Close the front cover.****24****Press the  key to select "ROLL" .**

- If the [Setting the Display of Media Detection] of Machine Setup set in "AUTO" ( P.3-15), the machine automatically detects the media width.

25 Setting the Logical Seek.

- (1) Press [▲][▼] to select the set value.
 - Set value : Media/ Data/ Quality
- (2) Press the [ENTER] key.

- When [Media Remain] of the Machine Setup is "ON" (☞ P.3-14), you are prompted to enter the media remaining amount. (☞ P.2-9)



- Surface waviness or ruck may affect the quality of currently printed image. When fixing media with tape, align the media along the direction indicated with an arrow in the figure.
- If you pull the media too much when fixing with tape, the media tension may not be even. And, it may negatively affect the media feeding.

Setting two narrow roll media (twin rolls)

Important!

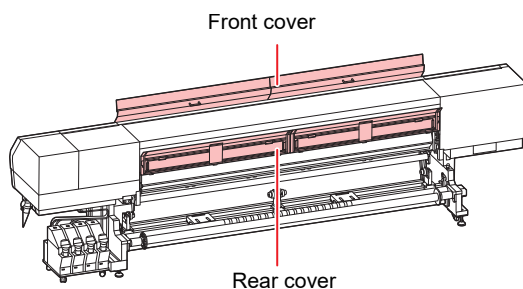
Pay attention to the following when printing on twin rolls.

- Use media having a media width of 1524 mm or less and a paper core width of 1550 mm or less.
- Set two media having the same properties as shown below. Otherwise, the printed image quality will be affected. Media type, media grade, media width, the diameter of media to be set (with the same remaining media amount), and media rolling-up direction

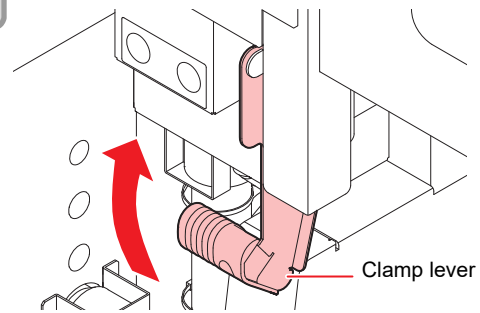
1 Set the settings of "Feeding Unit" and "Take-up Unit" of the Machine Setup to OFF.

- Refer to P.3-13 "Setting Feeding unit" and P.3-13 "Setting Take-up unit".

2 Open the front cover and rearcover.

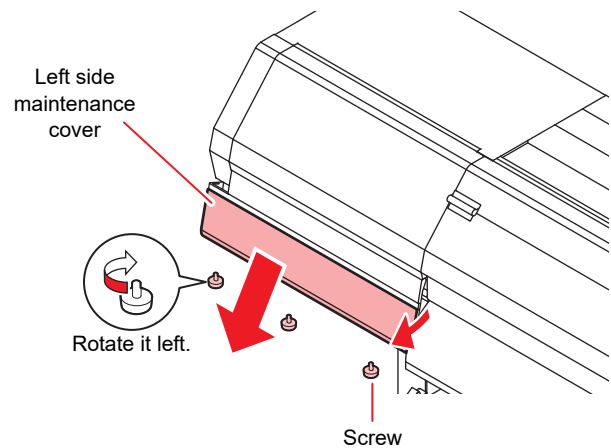


3 Rise the clamp lever.

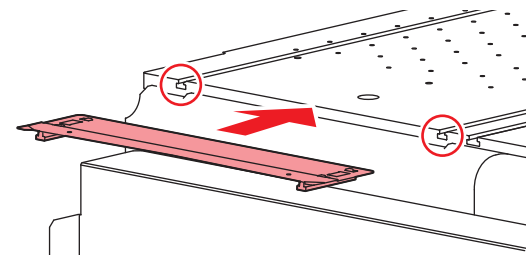


4 Add the attached media press to hold the two media.

- (1) Remove the left side maintenance cover.
 - Rotate the screws under the left side maintenance cover (for three positions) to the left and remove them.
 - Hold the bottom of the left maintenance cover, and pull the cover toward you from below to remove the cover.
 - If the left side maintenance cover is hard to remove, use the supplied screwdriver.



- (2) Attach the Media press in the accessories.
 - Fit the protruding portion of the media press into the groove of the platen (circle part in the figure below).



- There is a direction to the media press. Please install the left and right properly.

Left side

Right side

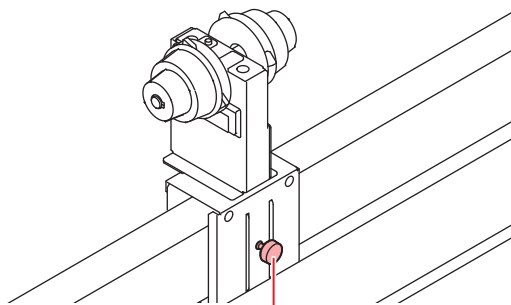
- (3) Return the sheet metal that was removed in step (1) to the original position and attach the left side maintenance cover.

5

Move the roll holder C to the center of this machine, and the roller holders R and L to the right and left ends of this machine respectively.

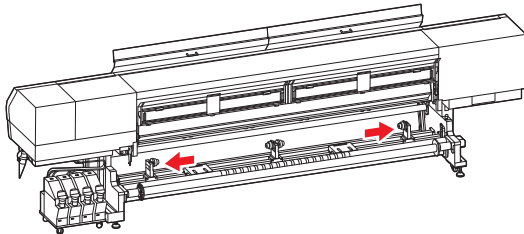
- Follow the steps below to move the roll holders.

(1) Loosen the roll holder fixing screw.



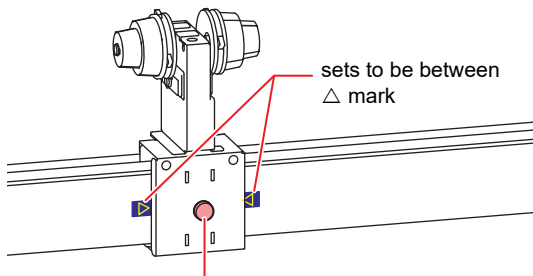
Roll holder fixing screw

(2) Move the roll holders R, and L to the right, and left of this machine respectively.



(3) Move the roll holder C to the center of this machine, and tighten the fixing screw of roll holder C.

- This machine has a mark indicating its central position to allow the roll holder C to be set.
- Tighten the screw firmly to secure the roll holder C at its proper position.



Roll holder fixing screw

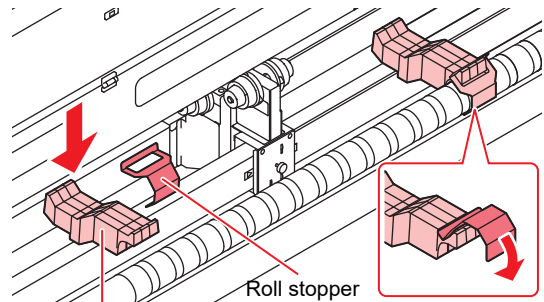
6

Set media in the roll holder.

- Set the media one by one.

(1) Set the roll tables as shown in the figure and temporarily place the media on top of the tables.

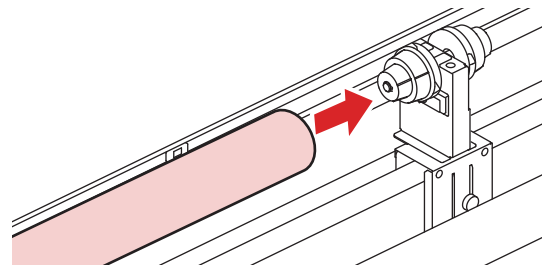
- Keep a proper space between the tables to stabilize the media.



Roll table

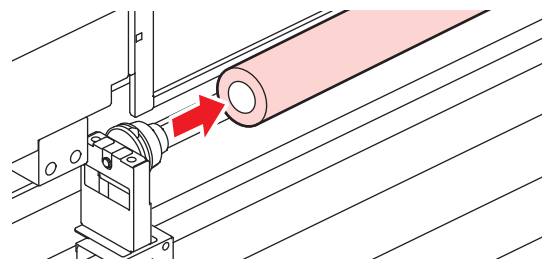
(2) Insert the paper core of the media into the roll holder C.

- Push the roll media onto the roll holder until the roll core is all the way seated.

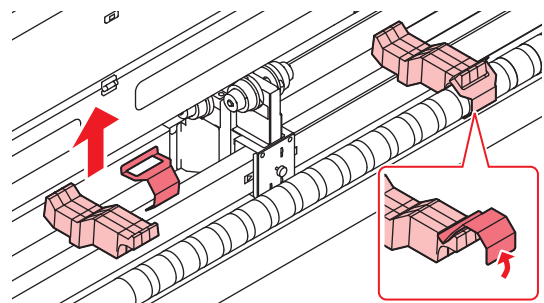


(3) Insert the roll holder R (or L) into the paper core, and tighten the fixing screw.

- Tighten the screw so firmly that the roll holder will not move during printing.



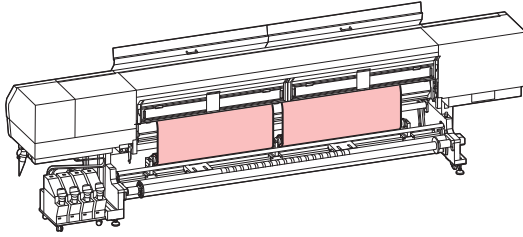
(4) Remove the roll tables, and move the tables to allow the other media to be set.



(5) Set the other media in the same way as described in steps (2) and (3).

(6) Remove the roll tables and store the tables.

7 Raise the clamp lever in the rear side of this machine and Insert the roll media.

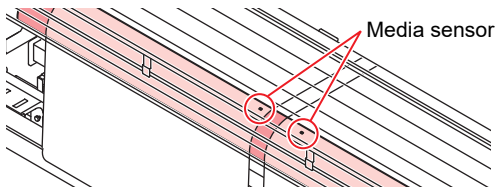


- The roll media can be smoothly inserted by slanting the media.

- (1) Pull the media out of the roll to the head of the platen.
- (2) Insert the media between the platen and the pinch roller.
 - Pull the media out of the roll so that the media can be grasped from the front of the machine.
- (3) Push down the clamp lever .
 - The media is held.



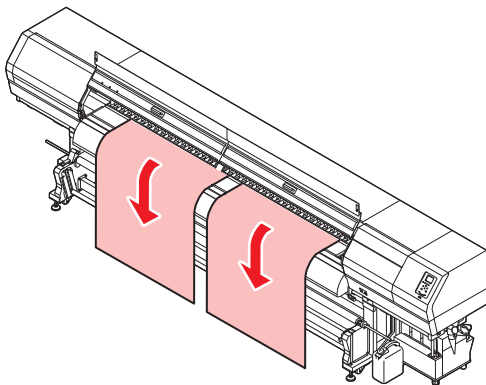
- When setting media, check that the two media sensors located near the center of the preheater cover are individually covered over by the respective media. If one media covers the two sensors, or if there is a media covering neither of the media sensors, the media width is not detected properly, causing damage to this machine.



8 Close the rear cover.

9 Pull out the roll media out.

- (1) Raise the clamp lever from the front of this machine.
- (2) Pull out the roll media gently.
 - Pull out the two media until both media reach the floor.

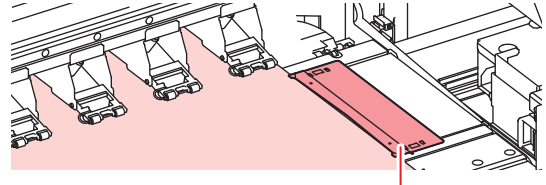


10 Push down the clamp lever.

- Check that the roll media are drawn out almost evenly by lightly pulling several points of the media, and then lower the clamp lever.
- Check that the tension applied to the media is equal for both the left and right sides.

11 Hold the media with the media press gently.

- When using a thick media, remove the media press from the media before printing.



Media Press




- If any of the media is located right or left of its specified position after media detection, a message appears, indicating that the media is located too right or left. Set the media again.

12 Close the front cover.




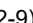


- Do not secure either media on the take-up device when printing on twin rolls.
- Before printing, check that the media has no slack. Rewind any loose roll media.

13 Press the key to select "ROLL" .

- If the [Setting the Display of Media Detection] of Machine Setup set in "AUTO" ( P.3-15), the machine automatically detects the media width.

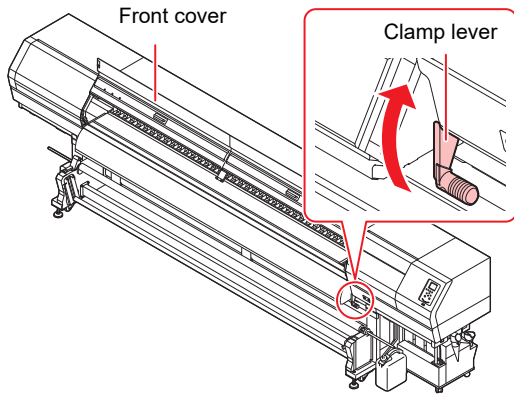
14 Setting the Logical Seek.

- (1) Press [][] to select the set value.
 - Set value : Media/ Data/ Quality
 - (2) Press the [ENTER] key.
- When [Media Remain] of the Machine Setup is "ON" ( P.3-14), you are prompted to enter the media remaining amount. ( P.2-9)

Setting leaf media

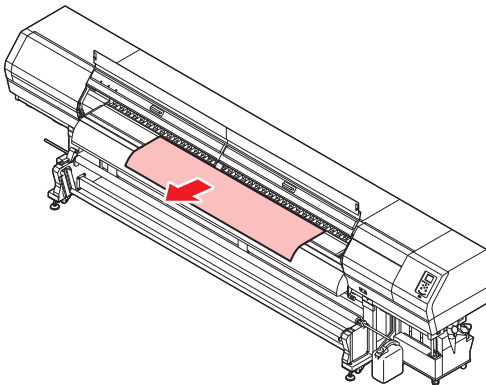
Unlike roll media, leaf media does not need to be retained with the roll holders.

- 1 Open the front cover and raise the clamp lever.



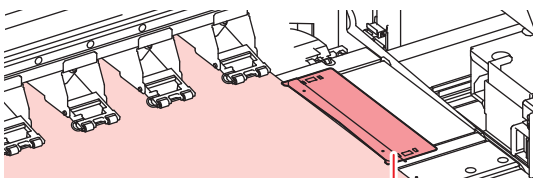
- 2 Insert the leaf media between the platen and the pinch rollers.

- Set the media so that no media sticks out from the right end pinch roller to the right side.



- 3 Hold the media with the media press gently.

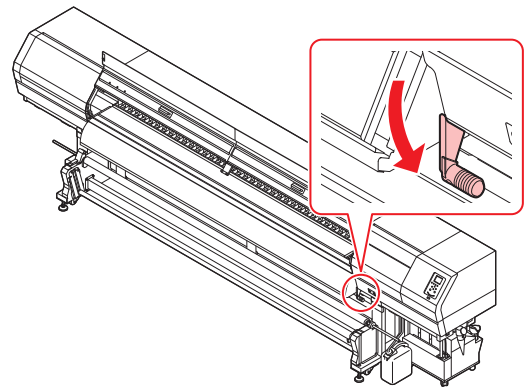
- Set the media so that no media sticks out from the right end pinch roller to the right side.
- When using a thick media, remove the media press from the media before printing.



Media Press

- 4 Push down the clamp lever and close the front cover.

- Set the media straight.



- 5 Press the **ENTER** key.

- 6 Press the **▶** key to select "LEAF".

- If the [Setting the Display of Media Detection] of Machine Setup set in "AUTO" (P.3-15), the machine automatically detects the media width.

- 7 Setting the Logical Seek.

- (1) Press **▲**/**▼** to select the set value.

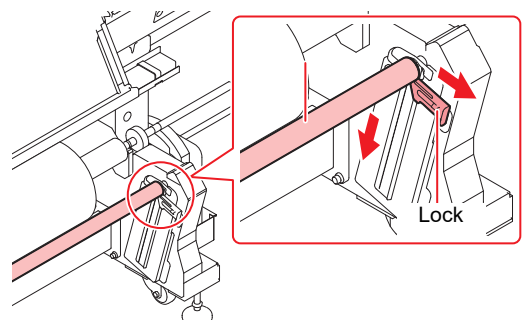
- Set value : Media/ Data/ Quality

- (2) Press the **ENTER** key.

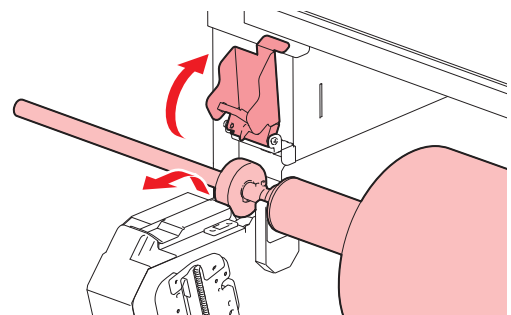
- When [Media Remain] of the Machine Setup is "ON" (P.3-14), you are prompted to enter the media remaining amount. (P.2-9)

Removing the taken-up media

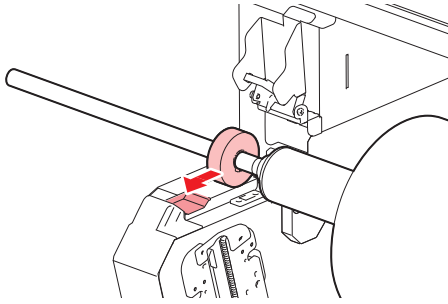
- 1 Release the lock of the taking-up tension bar and lower the tension bar.



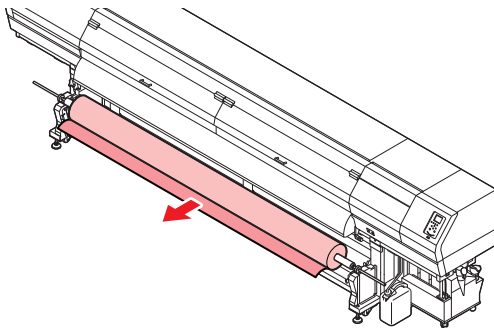
- 2 Open the cover on the left side of the taking-up shaft and pull the taking-up shaft forward.



- 3** Pull out so that the white plastic collar is inserted into the slot on top of the leg.



- 4** Remove the roll holder, and take off the paper core.



- 3** After determining the origin, press the **ENTER** key.

- The printing origin is changed.

Important!

- When a roll media is set on the narrow roll holder, change the origin, and then rewind the media by hand and set the media without slack. If the media is loose, the media feed amount of the media varies, causing poor image quality.

Changing the printing origin

The position of the printing origin can be changed.

- 1** In Local, press **▲▼◀▶**.
- It enters into the origin setting mode.

Origin Setup	
X	Y
0.0	0.0

- 2** Press **▲▼◀▶** to set the origin to a desired position.

Origin Setup	
X	Y
0.0	0.5
Origin (Length)	Origin (Width)

- Select the carriage and media, moving the point with **▲▼◀▶**. (Position of the LED pointer becomes the origin position.)

Preparing for the Heaters

Changing the Temperature Settings for the Heaters

You can change/save the temperature settings for the heaters with "Heater" of the setting mode. (☞ P.3-6)
Here, changing method of the temperature set in the setting mode is explained.

Set the heater temperature according to the characteristics of the media you use.

The temperature of the heaters has been set to "OFF" as default.

Appropriate temperature adjustment can be made because the temperature can be adjusted even during printing.

It may take several minutes to tens of minutes for the set temperature to be reached, depending on the ambient temperature.

1 Press the **SEL** key, and press the **FUNC2** (Heater) in LOCAL.

- The heater temperature adjustment screen will be displayed.

2 Press **▲** **▼** **◀** **▶** to set the temperature of each heater.

Heater selecting : Select with **◀** **▶**
Temperature setting : Set with **▲** **▼**

- The heater starts to get hot.

3 The heating of the heater stops.

- When the heater temperature reaches the set temperature, the heater icon lights in green.

4 Press the **ENTER** key to stop heating.

- The screen returns to LOCAL.

Important!

- Use this machine under 20 to 30°C. The temperature may not reach the set value due to the environmental temperature condition.



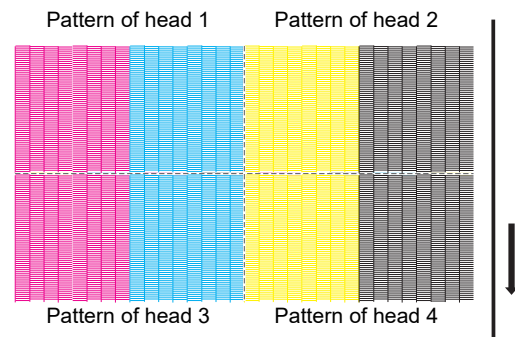
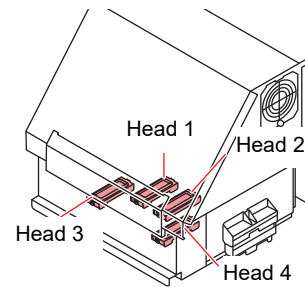
- Press **[FUNC3]** (OFF) in Step 2 to turn all heaters OFF.
Or, press **[FUNC1]** to raise all heaters by 10°C.

Test Printing

Print a test pattern to check that there are no discharging defects such as nozzle missing (slight touching of ink or nozzle missing).

Relationship between head row and test pattern

The relations between head row and test pattern print position are as follow.



Note on test printing

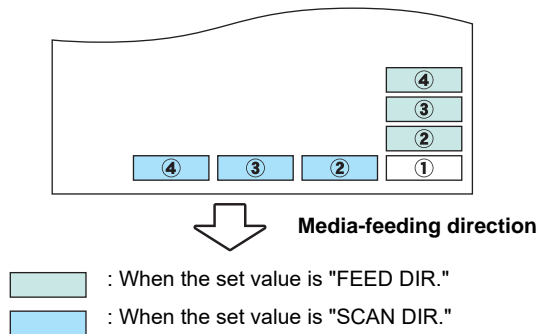
Important!

- When using leaf media, set a media of more than 210mm put horizontally. If a media with narrow width is set, printing will only be conducted to midway.
- If use by setting the media to Narrow roll holder, rewind the media by hand before printing so that it is not loose. When the roll media has not been rewound tightly, it may cause image quality to deteriorate.
- When test print, be sure to close all the covers (front cover / rear cover).

Test Printing

Print a test pattern to check that there are no discharging defects such as nozzle missing (slight touching of ink or nozzle missing).

In addition, you can select the orientation of the test pattern to print from two types in order to perform test printing repeatedly. Select one depending on your use.



Check before test printing.

- If a media has been set (☞ P.2-4)
- If the origin position has been set

1 Press the **FUNC2** (TEST PRINT/CLEANING), and press the **ENTER** key in LOCAL.

- TEST PRINT MENU appears.
- Press **[▲][▼]** to change the test pattern orientation. The orientation selected here will be reflected on when you will print next time.
- When performing test printing after having changed the orientation from "SCAN DIR." to "FEED DIR.", the line is fed to the position of the first test printing.

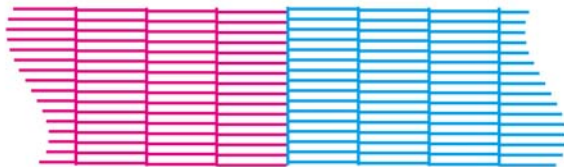
2 Press the **ENTER** key.

- Test printing starts.
- When the printing has been completed, the screen returns to LOCAL.

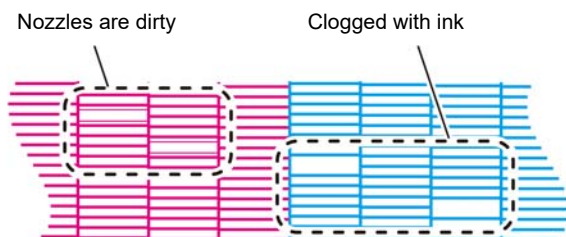
3 Check the printed test pattern.

- When the result is normal, end the operation.
- When the result is abnormal, perform head cleaning. (☞ P.2-19)

Normal pattern



Abnormal pattern



Head Cleaning

About head cleaning

Check the printed test pattern result and perform cleaning depending on the status.

Select one from the three types below:

- Soft** : When lines are bent, when any line is missing
- Normal** : When any line is missing, when colors are mixed
- Hard** : When poor image quality cannot be improved even by Normal or Soft cleaning

Perform head cleaning depending on the test printing result

There are three types of head cleaning. Use one by checking the test pattern.

1 Press the **FUNC2** (TEST PRINT/CLEANING), and press the **ENTER** key in LOCAL.

2 Press **▲▼** to select "CLEANING", and press the **ENTER** key.

- CLEANING MENU appears.

3 Press **▲▼** to select the cleaning type.

- **Soft** : When lines are bent, when any line is missing
- **Normal** : When any line is missing, when colors are mixed
- **Hard** : When poor image quality cannot be improved even by Normal or Soft cleaning

4 Press the **ENTER** key.

5 Press **▲▼** to select the cleaning head, and press the **FUNC2** (✓).

- After selecting the head, press the **[FUNC2]** key and put a check in the check box. The head whose box has been checked will be cleaned.
- To have all head cleaned, put a check in all check boxes.

Important! In firmware version 1.5 or later, the software Cleaning is performed for all heads.

6 Press the **ENTER** key.

7 Perform test printing again, and check the result.

- Repeat the cleaning and the test printing until the drawing result becomes in normal.



When the image quality is not improved after the head cleaning.

- Clean the wiper and ink cap. (☞ P.4-7)
- Wash the head nozzle. (☞ P.4-12)

Setting of Media Correction

Correct the media feed amount to match the type of media you are using. If the correction value is not appropriate, stripes may appear on the printed image, thus resulting in a poor printing.



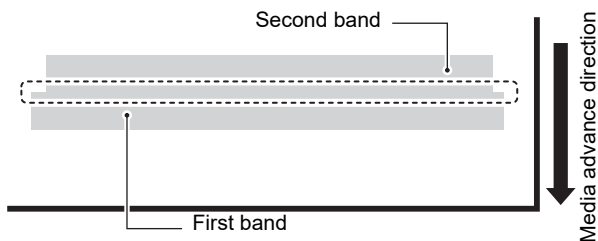
- Be sure to perform feed correction each time before printing. The media feed amount may vary, depending on the remaining amount of the roll media.
- If use by setting the media to Narrow roll holder, rewind the roll media by hand and set without slack. There may not be accurate to correct the feed amount.
- On completion of [MEDIA COMP.] during use of a roll media, the media returns to the printing origin. When a roll media is set on the narrow roll holder, Slack will occur in the roll media of the back side of this machine. Before printing, take up the slack in the roll media by hand; a loose roll media can result in an inferior image quality.
- When printing with a take-up device, set the media first and then perform media correction.
- If print without using the take-up device, please make the correction from sending media to reach the floor. There is a possibility that the fed amount can not be adjusted normally.

Setting of Media Correction

A pattern for media correction is printed and a media-feeding rate is corrected.



- Two bands are printed in the correction pattern.
- Make adjustment so that an even color density is obtained in the boundary between the two bands.



- 1 Set a media.** (☞ P.2-4)
- 2 Press the **[SEL]** key, and press the **[FUNC1]** (ADJUST) in LOCAL.**
 - ADJUST MENU appears.
- 3 Press the **[ENTER]** key.**
- 4 Press **[▲]****[▼]** to enter resolution.**
 - Here enter the resolution in the scanning direction (Y direction) of the media.



- Enter a resolution matching the data printed usually. This machine changes the media feeding method, depending on the resolution. If you enter a resolution inconsistent with actual printing, it may result in an inappropriate feed amount.

- 5 Press the **[ENTER]** key twice to print the correction pattern.**
- 6 Check the correction pattern and enter a correction value.**
 - A screen for entering the correction value appears.
 - **Enter a correction value in "+":**
The boundary between the two bands is widened.
 - **Enter a correction value in "-":**
The boundary between the two bands is narrowed.
 - When you change the correction value by "30", the width of the boundary changes by about 0.1 mm.
- 7 Press the **[END/POWER]** key several times to end the setting.**



- You can select "Feed Comp." by using the [FUNCTION] key in the Local without pressing the [FUNC2] (ADJUST) key. (☞ P.3-5)

Correcting Media-feeding during Printing

A media-feeding rate can be corrected even in the remote mode or when image data is printed.

- 1 Press the **[FUNC1]** (ADJUST) in the Remote.**
- 2 Press **[▲]****[▼]** to enter a corrected feeding rate.**
 - Corrected feeding rate: -9999 to 9999
 - The value entered here is reflected in the corrected feeding rate soon.
- 3 Press the **[ENTER]** key.**
 - The changed value is registered.
 - When you press the [ENTER] key instead of the [END/POWER] key, the value entered here will be invalid.
- 4 Press the **[END/POWER]** key several times to end the setting.**

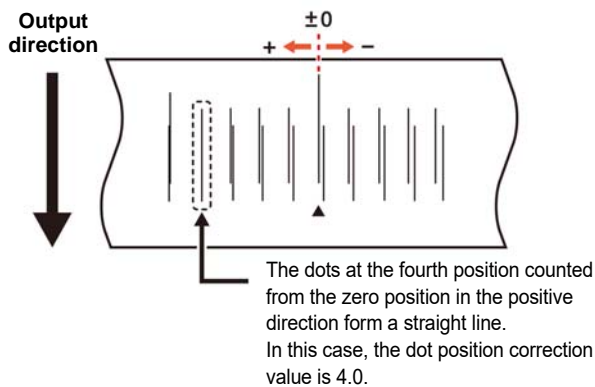
Correct the ink drop position for bidirectional printing

When the condition for printing (media thickness/ink type/ etc.) has been changed, perform the following operation to correct the ink drop position for bidirectional (Bi) printing and obtain the proper printing result.



- When using leaf media, set a media of more than 210mm put horizontally. If a media with narrow width is set, printing will only be conducted to midway.

Example of a Printed Pattern



- 1** Set a media on the machine and set a printing origin. (🔧 P.2-4)
- 2** Press the **SEL** key, and press the **FUNC1** (ADJUST) in LOCAL.
 - ADJUST MENU appears.
- 3** Press **▲▼** to select “DROP.POScorrect”.”, and press the **ENTER** key.
- 4** Press **▲▼** to select resolution, and press the **ENTER** key.
 - **Resolution** : 300dpi/450dpi/600dpi/900dpi
 - Perform correction for printing resolutions (Y direction).
- 5** Press the **ENTER** key.
 - Printing of the Drop position correct printed pattern will start.
 - Multiple test patterns are printed. (The printed patterns are called Pattern 1, Pattern 2 in the order of printing.)

- 6** Press **▲▼** to enter a correction value of Pattern 1, and press the **ENTER** key.

- Corrected feeding rate: -40 to 40
- Check the test patterns. The position where an outward feeding line and a return feeding line become one straight line is the correction value.
- When the correction value is not between -40 and 40, adjust the height of the printing heads and then perform the operations in Step 2 and later.

- 7** In the same way as in Step 6, enter a correction value of Pattern 2, and press the **ENTER** key.

- 8** Press the **END/POWER** key several times to end the setting.



- You can select “DROP.POScorrect” by using the [FUNCTION] key in the Local without pressing the [FUNC2] (ADJUST) key. (🔧 P.3-6)

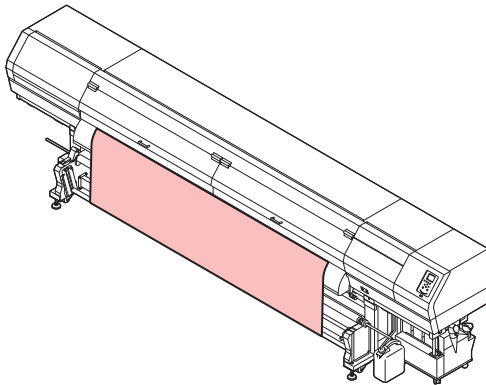
Printing Data

Starting a Printing Operation

Important!

- When using a roll media, rewind the media by hand before printing so that it is not loose. When the roll media has not been rewound tightly, it may cause the image quality to deteriorate.
- When the same data is printed, the color may differ if print conditions are changed, including the resolution, pass, scanning speed, and printing direction. Check the effects before printing.

1 Setting a Media (☞ P.2-4)



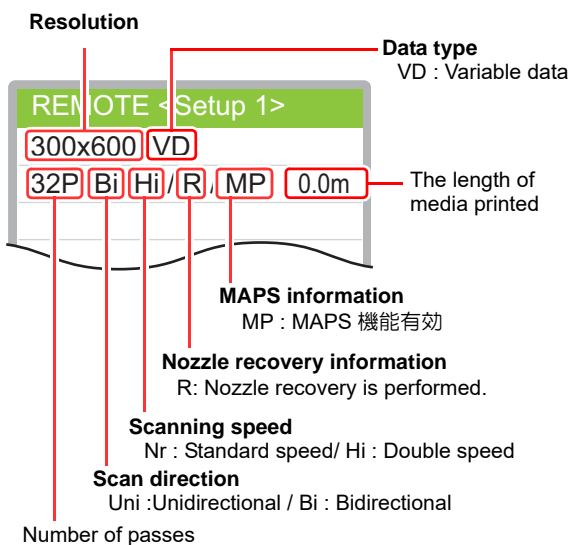
2 Checking the Heater Temperature

3 Press the **FUNC3** (REMOTE) key in LOCAL.

- If the heater temperature has not reached the setting value, the warning message "TEMPERATURE CONTROL" is displayed. Even if it has not reached, you can move to Remote when pressing the [ENTER] key.
- The screen changes to Remote, and data can be received from the PC.

4 Transmit data to be printed from the PC.

- For the method of data transmission, see the instruction manual for the output software.



5 Start printing.

- The printing speed may change, depending on the width of the set media or the position of the print origin even when the same data is printed. This is because of a difference in resolution.

Stopping a Printing Operation

Perform the following operation when stopping a printing operation halfway.

1 Press the **FUNC3** (LOCAL) during printing.

- The printing operation stops.
- Interrupt data sending at the PC side during the data is sent from the PC.
- Printing restarts from the interrupted data by repressing the [REMOTE] key.

Deleting Received Data (Data Clear)

When you want to stop printing, delete the already received data.

1 Press the **SEL** key, and press the **FUNC3** (DATA CLEAR) in LOCAL.

2 Press the **ENTER** key.

- The received data is erased then it returns to the Local.

Chapter 3

Extended Functions



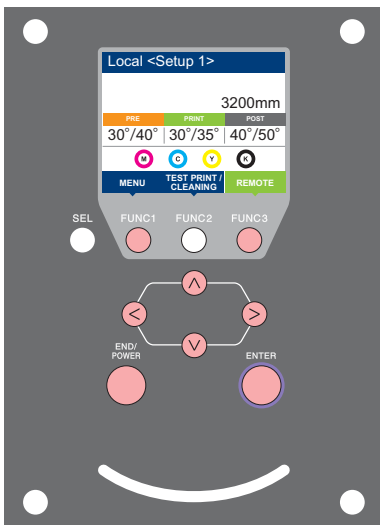
This chapter

describes the operation procedures for using the machine more conveniently and each setting procedure.

About Setup MENU.....	3-2	Setting a AUTO Power-off.....	3-13
Setup MENU table	3-3	Setting Feeding unit.....	3-13
Register the optimal print conditions to match the use	3-4	Setting Take-up unit.....	3-13
Setting of Media Correction.....	3-5	Setting the Display of Media Remain.....	3-14
If the Positions of Dots Shift.....	3-6	Setting Time.....	3-14
Setting the Heater	3-6	Setting Unit (Temperature/ Length)	3-14
Setting of Logical Seek	3-7	Setting a Key Buzzer	3-14
Setting of Overprint	3-7	Setting the Display of Media Detection.....	3-15
Setting of Drying Time.....	3-7	Setting the CONFIRM. FEED	3-15
Setting of Left and Right Margins	3-8	Set the network.....	3-15
Setting of Refresh	3-8	Setting event mail function.....	3-16
Setting of Vacuum Fan.....	3-8	Setting the Setting Lock function	3-20
Setting of Print Speed	3-9	Initializing the Settings	3-20
Setting of MAPS4.....	3-9	About Information MENU	3-21
Setting Auto Cleaning	3-9	Information MENU table	3-21
Setting Interval wiping	3-10	Displaying the Information	3-22
About Machine Setup MENU	3-11	Displaying the Information of this machine	3-22
Machine Setup MENU table	3-12	Setting a Language	3-23

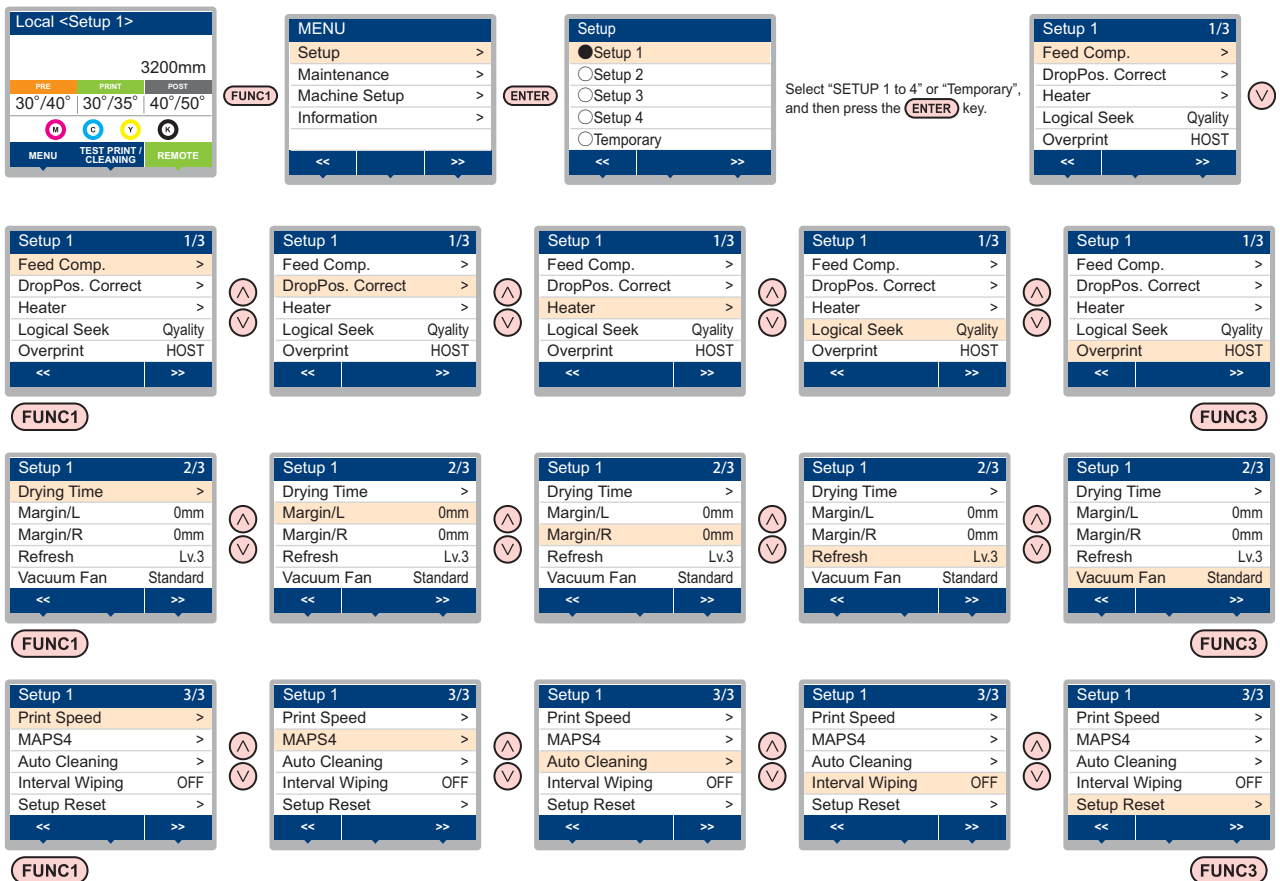
About Setup MENU

On Setup MENU, you can set the print conditions to match the media you usually use.



- FUNC1** : Press this to select SETTING MENU, or to switch to the previous screen.
- FUNC2** : Press this to use the adjust function.
- FUNC3** : Press this to switch to the next screen.
- ▲ ▼** : Use these to select a setting item.
- ENTER** : Press this to confirm a setting, etc..

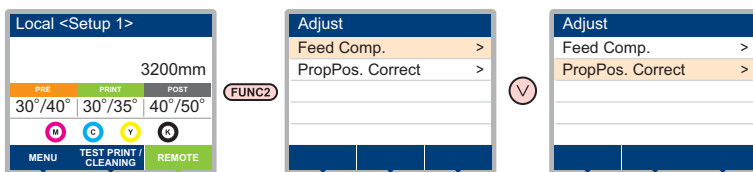
◆ SETUP MENUS at-a-glance



◆ Screen transition when **FUNC1** (ADJUST) key is pressed

When adjustment functions (Feed Comp./ X-Distance Comp./ Prop Pos. Correct) are performed, the ADJUST MENU can be displayed easily without selecting [MENU]-[Setup] from Local.

Press the [SEL] key to display "ADJUST" for [FUNC1], and then press the [FUNC1] key.



Setup MENU table



- For each setting item below, you can set it so that the machine may operate according to the value specified when you printed from your RIP software in the connected host PC.
- **Set Item** : DRYING Time/ Vacuum Fan
- When you operate the machine according to the contents specified with the RIP software, set each item to "Host" when registering this machine type. When you set it other than "Host", the machine operates according to the machine setting.
- For the specifying method with the RIP software, refer to the operation manual of the RIP software.

Function name		Set value *1	When no instruction from RIP exists *2	Outline
Feed Comp. (P.3-5)		-9999 to <u>0</u> to 9999	_____	Used to print a pattern for correcting a media-feeding rate and correct it.
Drop Pos Correct (P.3-6)		-40.0 to <u>0</u> to 40.0	_____	Used to adjust the dot position in go and return printing.
Heater (P.3-6)	PRE	<u>OFF</u> / 20 to 60 °C (<u>OFF</u> / 68 to 140°F)	_____	Sets pre-heater's conditions.
	PRINT			
	POST			
Logical Seek (P.3-7)		Data / Media / <u>Quality</u>	_____	Sets the scan movable area during printing.
Overprint (P.3-7)		<u>Host</u> / 1 to 9	1	Sets the number of layers in which ink is to be applied.
Drying Time (P.3-7)		<u>Host</u> / 0.0s to 9.9 sec	0 sec	Set the ink drying time.
Margin/L (P.3-8)		-10 to 85mm	_____	Sets a non-printing area along the right and left edges of the media.
Margin/R (P.3-8)			_____	
Refresh (P.3-8)		Host / Lv.0 to <u>Lv.3</u>	Lv.3	Sets the interval of refresh performed during printing.
Vacuum Fan (P.3-8)	Host / OFF/ Weak/ <u>Standard</u> / Strong	ON/OFF	Standard	Sets the absorbability of the media.
	Host Weak Standard Strong		_____	
Print Speed (P.3-8)	Feed speed	10 to <u>100</u> %	_____	Changes the media feeding speed in printing.
	Scan Speed	70 to <u>100</u> %	_____	Change the travel speed of the carriage during printing.
MAPS4 (P.3-9)	<u>AUTO</u>		_____	Perform setting to reduce stripes between passes.
	MANUAL	Pattern	1 / 2 / 3	
		Smoothing Lv.	5 to 25 to 100%	
Auto Cleaning (P.3-9)	<u>OFF</u> , File, Length, Time		_____	Sets the automatic cleaning operation for the head performed before printing or during printing.
	File	Interval	1 to 1000	
		Type	Normal/ Soft/ Hard	
	Length	Interval	0.1 to 20.0 to 100.0m	
		Type	Normal/ Soft/ Hard	
Time	Interval	10 to 30 to 120 min		
Interval Wiping (P.3-10)	3 to 255 min, <u>OFF</u>		_____	Sets the wiping operation performed after printing is completed.
Setup Reset (P.3-5)		The configuration in the settings 1-4 can be reset individually.		

*1. The underlined has been set as default.

*2. This is the setting value to be used for printing when setting value is not specified at the RIP software (host) side, or, you give priority to the setting value at the machine side.

Register the optimal print conditions to match the use

In this machine, you will be able to register print conditions, SETUP 1 to 4 individually to match the media in advance.

For example, after print on different types of media, return to the media always use. In such case you can set the optimum printing conditions by simply selecting the registered SETUP 1 to 4.



- Print conditions that can be pre-registered with the machine are the four types, "SETUP 1" to "SETUP 4".
- If you print with the print condition which do not often use, you will be able to set the print conditions by selecting "Temporary". If turn on the power again, settings in "Temporary" will return to the original state when it was purchased. Also if turn on the power again in "Temporary" state, it will be the state in selecting "SETUP 1".

Register the print conditions to SETUP 1 to 4

- 1 Press the **FUNC1** (MENU) ➔ **ENTER** key in LOCAL.
- 2 Press **▲** **▼** to select SETUP 1 to 4, and press the **ENTER** key.
 - The item selected indicates ● and others show ○.
 - Setup menu will be displayed.
- 3 Press **▲** **▼** to select and set each item in the setup menu list.
 - Please see the reference page in the setup menu list for detailed configuration procedure.

How to use [Temporary]

[Temporary] is not only to set the print condition to be used only once, but also can be used for partial change of the registered SETUP "1 to 4", or for reflecting the print conditions set by the [Temporary] to SETUP 1 to 4.

● Register the print conditions in [Temporary]

Registration of the print conditions to [Temporary] can be done as the same method as to SETUP 1 to 4.

- 1 Press the **FUNC1** (MENU) ➔ **ENTER** key in LOCAL.
- 2 Press **▲** **▼** to select "Temporary", and press the **ENTER** key.
 - Setup menu will be displayed.
- 3 Press **▲** **▼** to select and set each item in the setup menu list.
 - Please see the reference page in the setup menu list for detailed configuration procedure.

● Copy the contents of SETUP 1 to 4 to [Temporary]

You can use it with changing the part of registration contents of Setup 1 to 4.

Select "copy" from the Setup Reset menu of Temporary, and specify the copy source (Setup 1 to 4).

- 1 Press the **FUNC1** (MENU) ➔ **ENTER** key in LOCAL.
- 2 Press **▲** **▼** to select "Temporary", and press the **ENTER** key.
 - Setup menu will be displayed.
- 3 Press the **FUNC1** (<<).
- 4 Press **▲** **▼** to select "Setup Reset", and press the **ENTER** key.
 - Selection screen of the copy source will be displayed.
- 5 Press **▲** **▼** to select "Copy", and press the **ENTER** key.
 - Selection screen of the copy source will be displayed.
- 6 Press **▲** **▼** to SELECT the copy source (SETUP 1 to 4) and press the **ENTER** key.
 - Confirmation screen of the copy will be displayed.
- 7 Press the **ENTER** key.
 - Settings selected in step 5 is copied to Temporary.
- 8 Press **▲** **▼** to select the setting item to be changed, and press the **ENTER** key.
 - Please see the reference page in the setup menu list for detailed configuration procedure.

● Reflect The Content Set In [Temporary] To Setup 1 To 4

- 1 Press the **FUNC1** (MENU) ➔ **ENTER** key in LOCAL.
- 2 Press **▲** **▼** to select "Temporary", and press the **ENTER** key.
 - Setup menu will be displayed.
- 3 Press **▲** **▼** to select and set each item in the setup menu list.
 - Please see the reference page in the setup menu list for detailed configuration procedure.
- 4 Display the last page of Temporary and select "SAVE SETTING", and press the **ENTER** key.
 - Selection screen of the save location will be displayed.

5 Press **▲▼** to select the location selected (SETUP 1 to 4), and press the **ENTER** key.

- Save confirmation screen will be displayed.

6 Press the **ENTER** key.

- Settings of Temporary will be saved to the location selected in step 5.

7 Press the **END/POWER** key several times to end the setting.

Reset the registered contents

Reset the contents registered to SETUP 1 to 4.

1 Press the **FUNC1** (MENU) **➔** **ENTER** key in LOCAL.

2 Press **▲▼** to select SETUP 1 to 4 to be reset and press the **ENTER** key.

- Setup menu will be displayed.

3 Press the **FUNC1** (<<).

4 Press **▲▼** to select "Setup Reset", and press the **ENTER** key.

- Confirmation screen of reset settings will be displayed.

5 Press the **END/POWER** key several times to end the setting.

Setting of Media Correction

Correct the media feed amount to match the type of media you are using.

If the correction value is not appropriate, stripes may appear on the printed image, thus resulting in a poor printing.

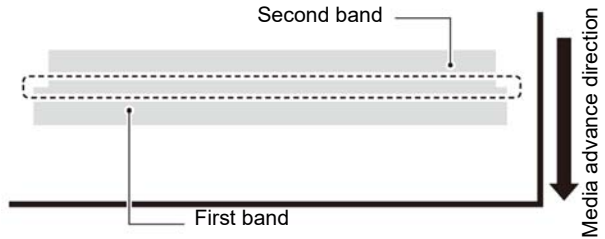


- Be sure to perform feed correction each time before printing. The media feed amount may vary, depending on the remaining amount of the roll media.
- If use by setting the media to Narrow roll holder, rewind the roll media by hand and set without slack. There may not be accurate to correct the feed amount.
- On completion of [MEDIA COMP.] during use of a roll media, the media returns to the printing origin. When a media is set on the narrow roll holder, slack occurs in the roll media on the backside of this machine. Before printing, take up the slack in the roll media by hand; a loose roll media can result in an inferior image quality.
- When printing with a take-up device, set the media first and then perform media correction.
- When printing without using the take-up device, feed the media until the media reaches the floor before performing the correction. Otherwise, the feed amount may not be adjusted normally.

A pattern for media correction is printed and a media-feeding rate is corrected.



- Two bands are printed in the correction pattern.
- Make adjustment so that an even color density is obtained in the boundary between the two bands.



1 Set a media. (☞ P.2-4)

2 Press the **FUNC1** (MENU) **➔** **ENTER** key in Local.

3 Press **▲▼** to select SETUP 1 to 4, and press the **ENTER** key.

- Setup menu appears.

4 Press **▲▼** to select "Feed Comp.", and press the **ENTER** key.

5 Press **▲▼** to enter resolution.

- Here enter the resolution in the scanning direction (Y direction) of the media.



- Enter a resolution matching the data printed usually. This machine changes the media feeding method, depending on the resolution. If you enter a resolution inconsistent with actual printing, it may result in an inappropriate feed amount.

6 Press the **ENTER** key twice to print the correction pattern.

7 Check the correction pattern and enter a correction value.

- A screen for entering the correction value appears.
- Enter a correction value in "+": The boundary between the two bands is widened.
- Enter a correction value in "-": The boundary between the two bands is narrowed.
- When you change the correction value by "25", the width of the boundary changes by about 0.1 mm.

8 Press the **ENTER** key.

- Print a correction pattern again and check it.
- When media correction is needed, perform the operation in Step 6 to make correction.

9 Press the **END/POWER** key several times to end the setting.

Correcting Media-feeding during Printing

A media-feeding rate can be corrected even in the remote mode or when image data is printed.

1 Press the **FUNC1** (ADJUST) \rightarrow **ENTER** key in the Remote.

2 Press \uparrow \downarrow to enter a corrected feeding rate.

- Corrected feeding rate: -9999 to 9999
- The value entered here is reflected in the corrected feeding rate soon.

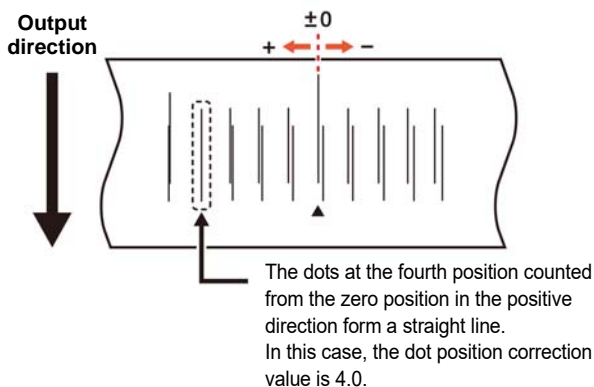
3 Press the **ENTER** key twice.

- key. The changed value is registered.
- When you press the [ENTER] key instead of the [END/POWER] key, the value entered here will be valid temporarily. (When you perform media detection again or turn the power OFF, the correction value is cleared.)

If the Positions of Dots Shift...

When the condition for printing (Distance of the platen and the head /media thickness/media type/etc.) has been changed, perform the following operation to correct the ink drop position for bidirectional (Bi) printing and obtain the proper printing result.

Example of a Printed Pattern



1 Set a media. (P.2-4)

- In order to print a pattern, a media that is 500 mm wide at least is necessary.

2 Press the **FUNC1** (MENU) \rightarrow **ENTER** key in Local.

3 Press \uparrow \downarrow to select SETUP 1 to 4, and press the **ENTER** key.

- Setup menu appears.

4 Press \uparrow \downarrow to select "DROP.POScorrect", and press the **ENTER** key.

5 Press \uparrow \downarrow to select resolution, and press the **ENTER** key.

- Resolution : Y300dpi/ Y450dpi/ Y600dpi/ Y900dpi/ Y1200dpi
- Perform correction for printing resolutions (Y direction).

6 Press the **ENTER** key.

- Printing of the Drop position correct printed pattern will start.
- Multiple test patterns are printed. (The printed patterns are called Pattern 1, Pattern 2 in the order of printing.)

7 Press \uparrow \downarrow to enter a correction value of Pattern 1, and press the **ENTER** key.

- Corrected feeding rate: -40 to 40
- Check the test patterns. The position where an outward feeding line and a return feeding line become one straight line is the correction value.
- When the correction value is not between -40 and 40, adjust the height of the printing heads and then perform the operations in Step 2 and later.

8 In the same way as in Step 6, enter a correction value of Pattern 2, and press the **ENTER** key.

9 Press the **END/POWER** key several times to end the setting.

Setting the Heater

This machine is equipped with a pre-heater on its backside, and contains a print heater to keep the ink at an appropriate temperature.

Type of Heater	Function
Pre heater	Used for pre-heating of the media prior to printing to prevent rapid temperature changing.
Print heater	Increases the image quality when printing.
Post heater	Dries the ink after printing.

1 Press the **FUNC1** (MENU) \rightarrow **ENTER** key in Local.

2 Press \uparrow \downarrow to select SETUP 1 to 4, and press the **ENTER** key.

- Setup menu appears.

3 Press \uparrow \downarrow to select "Heater", and press the **ENTER** key.

4 Press \uparrow \downarrow to select "PRE", and press the **ENTER** key.

5 Press \uparrow \downarrow to set the pre-heater temperature, and press the **ENTER** key.

- Heater temperature : OFF/ 20°C to 60°C

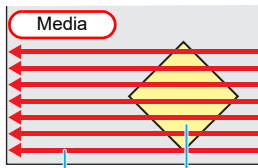
6 Press the **END/POWER** key several times to end the setting.

Setting of Logical Seek

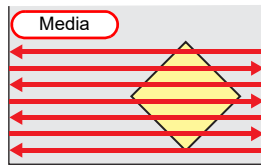
The head's operation varies depending on the Logical Seek settings, as shown in the figure below.

Movement of heads when Logical Seek is "Media".

UNI-DIRECTIONAL



BI-DIRECTIONAL

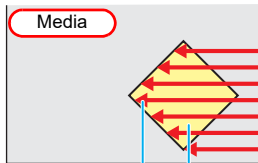


Print area

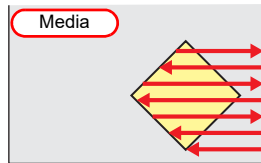
Red arrow : Movement of head

Movement of heads when Logical Seek is "Data".

UNI-DIRECTIONAL



BI-DIRECTIONAL

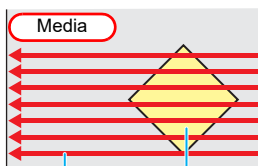


Print area

Red arrow : Movement of head

Movement of heads when Logical Seek is "Quality".

UNI-DIRECTIONAL



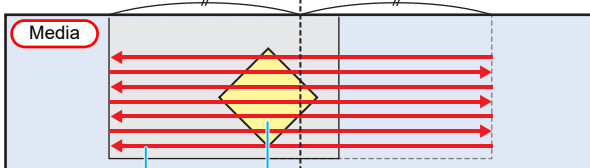
Print area

Red arrow : Movement of head

BI-DIRECTIONAL

The head moves twice the distance of longer side of the set media from the center of the platen as a reference.

Center



Print area

Red arrow : Movement of head

Important!

If the Logical Seek is set to "Data" or "Media", the following phenomena may occur. In such a case, set the Logical Seek to "Quality".

- The accuracy of the media feed amount is lowered.
- Media skews.
- Lateral stripes occur due to feed variations.

1 Press the **FUNC1 (MENU)** → **ENTER** key in Local.

2 Press **▲ ▼** to select SETUP 1 to 4, and press the **ENTER** key.

- Setup menu appears.

3 Press **▲ ▼** to select "Logical Seek", and press the **ENTER** key.

4 Press **▲ ▼** to select a set value, and press the **ENTER** key.

- Set value : Data/ Media/ Quality

5 Press the **END/POWER** key several times to end the setting.

Setting of Overprint

Sets the number of layers in which ink is to be applied.

1 Press the **FUNC1 (MENU)** → **ENTER** key in Local.

2 Press **▲ ▼** to select SETUP 1 to 4, and press the **ENTER** key.

- Setup menu appears.

3 Press the **FUNC3 (>>)**.

4 Press **▲ ▼** to select "Overprint", and press the **ENTER** key.

5 Press **▲ ▼** to set number of Overprint, and press the **ENTER** key.

- Setting value : Host/ 0 to 9 times

6 Press the **END/POWER** key several times to end the setting.

Setting of Drying Time

In the drying time setting, the following items for ink drying time are set.

- **SCAN** : Ink drying time for each scanning is set. (During bidirectional printing, the machine stops for a certain period of time specified for each of the outward and return scanning.)

Important!

- When you give priority to the setting at the RasterLink side, make the setting value "Host".
- "SCAN" set in this machine is displayed as "Pause Time per Scan" in the RasterLink.

1 Press the **FUNC1 (MENU)** → **ENTER** key in LOCAL.

2 Press **▲ ▼** to select SETUP 1 to 4, and press the **ENTER** key.

- SETUP MENU will be displayed.

3 Press **▲ ▼** to select "DRYING TIME", and press the **ENTER** key.

4 Press the **ENTER** key.

5 Press **▲▼◀▶** to set drying time, and press the **ENTER** key.

- Set the drying time for scanning is completed. To enable the drying time specified in your RIP, select "Host".
- **Scanning setting value** :
Host or 0.0 sec. to 9.9 sec.
- **Item selecting** : by the **▲▼** keys
- **Time setting** : by the **◀▶** keys

6 Press the **END/POWER** key several times to end the setting.

Setting of Left and Right Margins

Set a non-printing area along the left and right edges of the media.

The offset value against the standard margin 15mm is set hereupon.

- Important!**
- The margin setting is enabled only if the media detection method is set to "AUTO".
 - The margin setting is reflected when the media width is detected.

1 Press the **FUNC1 (MENU) → ENTER** key in Local.

2 Press **▲▼** to select SETUP 1 to 4, and press the **ENTER** key.
• Setup menu appears.

3 Press the **FUNC3 (>>)**.

4 Press **▲▼** to select "Margin/L" or "Margin/R", and press the **ENTER** key.

5 Press **▲▼** to select a set value, and press the **ENTER** key.
• Set value : -10 to 85 mm

6 Press the **END/POWER** key several times to end the setting.



- Pay attention to the settings of the right and left margins when printing with the media press. If any of the margins is set to a negative value, printing may start from a position on the media press.

Setting of Refresh

Sets the interval of refresh performed during printing.

1 Press the **FUNC1 (MENU) → ENTER** key in Local.

2 Press **▲▼** to select SETUP 1 to 4, and press the **ENTER** key.

- Setup menu appears.

3 Press the **FUNC1 (<<)**.

4 Press **▲▼** to select "Refresh", and press the **ENTER** key.

5 Press **▲▼** to select a set value, and press the **ENTER** key.
• Set value : Host/Lv.0 to Lv.3.

6 Press the **END/POWER** key several times to end the setting.

Setting of Vacuum Fan

Sets the absorbability of the media.

By setting the absorption power to match the media, you can prevent print errors due to media rise-up.

1 Press the **FUNC1 (MENU) → ENTER** key in Local.

2 Press **▲▼** to select SETUP 1 to 4, and press the **ENTER** key.
• Setup menu appears.

3 Press the **FUNC1 (<<)**.

4 Press **▲▼** to select "Vacuum Fan", and press the **ENTER** key.

5 Press **▲▼** to select a set value, and press the **ENTER** key.
• Set value : Host/Weak /Standard/ Strong/ OFF

6 If you choose any other option than "OFF" in step 4, press **▲▼**, choose whether to constantly operate the vacuum fan, and press the **ENTER** key

- **ON** : Vacuum fan is constantly on.
- **OFF** : Vacuum fan is only on when printing or performing jog operation.

7 Press the **END/POWER** key several times to end the setting.



- When switch the setting 1 to 4 /Temporary or copy the setting, there is a case that the setting screen of vacuum fan is displayed.

Setting of Print Speed

Changes the media feeding speed and scanning speed in printing.

- 1 Press the **FUNC1** (MENU) \rightarrow **ENTER** key in Local.
- 2 Press \uparrow \downarrow to select SETUP 1 to 4, and press the **ENTER** key.
 - Setup menu appears.
- 3 Press the **FUNC1** (<<).
- 4 Press \uparrow \downarrow to select "Print Speed", and press the **ENTER** key.
- 5 Press \uparrow \downarrow to select a setting item, and press the **ENTER** key.
 - Set value : Feed Speed / Scan Speed
- 6 Press \uparrow \downarrow to select a set value, and press the **ENTER** key.
 - Set value of "Feed Speed": 10 to 100%
 - Set value of "Scan Speed": 70 to 100%
- 7 Press the **END/POWER** key several times to end the setting.
 - Important!**
 - Changing the print speed setting may change the color. After changing the print speed, check whether there is any change in color beforehand.
 - After changing scan setting, perform dot position correction (P.3-6).
 - After changing the feed setting value, perform feed correction (P.3-5).

Setting of MAPS4

If performing media correction does not resolve feeding stripes, use the MAPS (Mimaki Advanced PassSystem) function to disperse the pass boundary to make the feeding stripes less visible.



- Changing the MAPS4 settings may change the color tone. Check the effects before use.
- MAPS may not be effective depending on image to be printed. Use it after checking effect in advance.

● Conditions disabling MAPS function

When the conditions which do not show "MP" in the display during printing is set, MAPS function is disabled. (P.2-22)

In addition, by the image to be printed, there is a case that the effects of the MAPS can not be obtained.

Setting MAPS4 Function

- 1 Press the **FUNC1** (MENU) \rightarrow **ENTER** key in Local.
- 2 Press \uparrow \downarrow to select SETUP 1 to 4, and press the **ENTER** key.
 - Setup menu appears.
- 3 Press the **FUNC1** (<<).

- 4 Press \uparrow \downarrow to select "MAPS4", and press the **ENTER** key.
- 5 Press \uparrow \downarrow to select a set value, and press the **ENTER** key.
 - Set value : AUTO/ MANUAL
 - If you have selected "MANUAL", proceed to step 5. Otherwise, proceed to step 9.
- 6 Press \uparrow \downarrow to select the "Pattern", and press the **ENTER** key.
- 7 Press \uparrow \downarrow to select the "Type", and press the **ENTER** key.
 - Set value : Pattern1, Pattern 2 and Pattern 3
 - Important!**
 - MAPS4 effect differs depending on image to be printed. Change the printing pattern and use it after checking effect in advance.
- 8 Press \uparrow \downarrow to select the "Smoothing Lv.", and press the **ENTER** key.
- 9 Press \uparrow \downarrow to change the smoothing level, and press the **ENTER** key.
 - Set Value : 0 to 100% (set in units of 5%)
 - The MAPS4 effect become strong as the set value increase, and become weak as the set value decrease.
- 10 Press the **END/POWER** key several times to end the setting.

Setting Auto Cleaning

You can set the machine so that it counts the number of printed files or the length or time has been completed, and performs cleaning automatically if required.

You can select the auto cleaning setting from three types below:

- **File** : Set the cleaning intervals by the number of printed files.
- **Length** : Set the cleaning intervals by the printed length.
- **Time** : Set the cleaning intervals by the printed time.

The machine can perform a stable printing operation with its heads always kept clean.

- 1 Press the **FUNC1** (MENU) \rightarrow **ENTER** key in Local.
- 2 Press \uparrow \downarrow to select SETUP 1 to 4, and press the **ENTER** key.
 - Setup menu appears.
- 3 Press the **FUNC1** (<<).
- 4 Press \uparrow \downarrow to select "AUTO CLEANING", and press the **ENTER** key.
- 5 Press \uparrow \downarrow to select the type of auto cleaning, and press the **ENTER** key.

There are "File", "Length" and "Time" for auto cleaning.

File : When the set files has been completed, the machine performs head cleaning automatically.

Length : When the set length has passed, the machine performs head cleaning automatically.

Time : When the set time has passed, the machine performs head cleaning automatically.

- If you do not set auto cleaning, first select "OFF" and then proceed to the Step 7.

Important!

- The color tone may change, depending on the timing when auto cleaning is performed. Check in advance that the color tone is not affected.

6 Press to select the "Interval", and press the key.

- Depending on the auto cleaning type selected in the Step 3, the setting value differs.

For File : 1 to 1000 File

For Length : 0.1 to 100.0m (in 0.1m increment)

For Time : 10 to 100min (in 10min increment)

7 Press to select the "Type" and then press the key.

- Set Value : Normal/ Soft/Hard

8 Press the key several times to end the setting.

Important!

- Depending on the state of the heads, etc., the image quality deterioration may not be improved even with this function performed. In this case, contact our service office or the distributor in your region.

Setting Interval wiping

When a set time has elapsed, the machine automatically wipes the nozzle surfaces of the head to remove any ink droplets attached to the surfaces.

In case that deflection, nozzle missing, or symptom which ink droplets fall down occurred, set the interval between each operation shorter.

1 Press the (MENU) key in Local.

2 Press to select SETUP 1 to 4, and press the key.

- Setup menu appears.

3 Press the (<<).

4 Press to select "Interval Wiping", and press the key.

5 Press to set intervals.

- Set Value : 3 to 255 Minutes, OFF
- When [OFF] is set, periodical wiping is not executed.

6 Press the key.

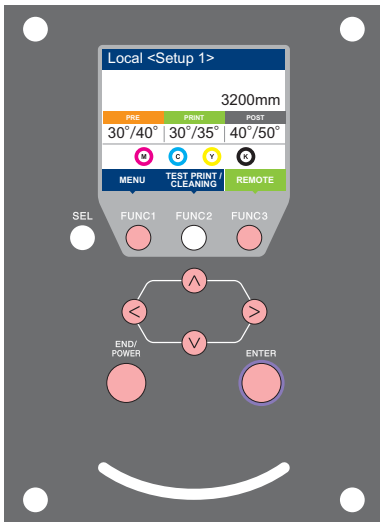
7 Press the key several times to end the setting.

Important!

- The color tone may change, depending on the timing when periodic wiping is performed. Check in advance that the color tone is not affected.

About Machine Setup MENU

Common settings are functions for using this machine easily.
The following items can be set in Machine settings.



- (FUNC1)** : Press this to select Machine Setup MENU, or to switch to the previous screen.
- (FUNC3)** : Press this to switch to the next screen.
- (↑) (↓)** : Use these to select a setting item.
- (ENTER)** : Press this to confirm a setting, etc..

◆ Machine Setup MENUs at-a-glance

The sequence of screenshots illustrates the following navigation steps:

- Local <Setup 1> screen.
- MENU screen: 'Machine Setup' is selected using **(FUNC1)**.
- Machine Setup screen: 'Machine Setup' is confirmed using **(ENTER)**.
- Machine Setup screen: 'Auto Power-off' is selected using **(↑)**.
- Machine Setup screen: 'Feeding Unit' is selected using **(↑)**.
- Machine Setup screen: 'Take-up Unit' is selected using **(↑)**.
- Machine Setup screen: 'Media Remain' is selected using **(↑)**.
- Machine Setup screen: 'Time Set' is selected using **(↑)**.
- Machine Setup screen: 'Unit / Temp' is selected using **(FUNC1)**.
- Machine Setup screen: 'Unit / Length' is selected using **(↑)**.
- Machine Setup screen: 'Key Buzzer' is selected using **(↑)**.
- Machine Setup screen: 'Media Detect' is selected using **(↑)**.
- Machine Setup screen: 'View Feed' is selected using **(↑)**.
- Machine Setup screen: 'Network&Mail' is selected using **(↑)**.
- Machine Setup screen: 'Reset' is selected using **(↑)**.

Machine Setup MENU table

Function name		Set value		Default	Meaning	
AUTO Power-off (P.3-13)		NONE/ 10 ~ 600min		30min	When no operation has been performed for the set time, the power supply is automatically turned "OFF".	
Feeding Unit (P.3-13)		ON/ OFF		ON	You can set the operation method when the ON/ OFF button on the take-up unit is pressed.	
Take-up Unit (P.3-13)		ON/ OFF		ON	You can set the operation method when the ON/ OFF button for the take-up device is pressed.	
Media Remain (P.3-14)		ON/ OFF		OFF	You can control the remaining amount of media.	
TIME (P.3-14)		+4h ~ -20h			Time difference is corrected.	
UNIT/ TEMP. (P.3-14)		°C (Centigrade)/°F (Fahrenheit)		°C	A unit for displaying temperature is set.	
UNIT/ Length (P.3-14)		mm / inch		mm	A unit for displaying length and area is set.	
Key Buzzer (P.3-14)		OFF / ON		ON	A buzzer sound when keys are pressed is set.	
Media Detect (P.3-15)		AUTO/MANUAL		AUTO	Set the media detection method.	
CONFIRM. FEED (P.3-15)		ON / OFF		ON	Set whether media feeding is performed for checking the result of the test printing etc. or not.	
Network & Mail	Network (P.3-15)	Set the network.				
		Check IP Address	The IP address currently used by this machine is displayed.			
		Check MAC Address	The IP address currently used by this machine is displayed.			
		DHCP	ON / OFF		When it is ON, the IP address given by the DHCP server is used.	
		AutoIP	ON / OFF		When it is ON, the IP address is determined by the AutoIP protocol. However, DHCP is ON, DHCP has priority.	
		IP Address *1	Set the IP address used by this machine.			
		Def.Gateway *1	Set the default gateway used by this machine.			
		DNS Address *1	Set the DNS server address used by this machine.			
		SubNet Mask *1	Set the digit number of the subnet mask used by this machine.			
	Event Mail (P.3-16)	Mail Delivery	ON / OFF	OFF	Set whether you send/ do not send the e-mail when the set event occurs.	
		Select Event	Print Start	ON / OFF	OFF	Set whether you send/ do not send the e-mail at the start of printing.
			Print End	ON / OFF	OFF	Set whether you send/ do not send the e-mail at the end of printing.
			Error Event	ON / OFF	OFF	Set whether you send/ do not send the e-mail when an error occurs.
			Warning Event	ON / OFF	OFF	Set whether you send/ do not send the e-mail when a warning occurs.
			Other Event	ON / OFF	OFF	Set whether you send/ do not send the e-mail when an event other than the above occurs.
		Mail Address	Set the e-mail address to which you send the event mail.	Alphanumeric characters and symbols (within 96 characters)		
		Message Subject	Set the characters to write in the subject of the event mail.	Alphanumeric characters and symbols (within 8 characters)		
		Server Setup	SMTP Address		Set the SMTP server.	
			SMTP PORT No.		Set the SMTP port number.	
			SENDER ADDRESS		Set the e-mail address to be used as the sender mail address.	
Auth.	POP before SMTP		Set the SMTP server authentication method (SMTP authentication).			
	SMTP Auth					
	OFF					
USER NAME *2			Set the user name used for the authentication.			
PASS WORD *2		Set the password used for the authentication.				
POP3 ADDRESS *3		Set the POP server.				
APOP *3		Set ON/ OFF of APOP.				

Function name		Set value	Default	Meaning
Network & Mail	Event Mail (P.3-16)	Transmit Test	Send the test e-mail.	
	Setting Lock (P.3-20)	Lock (Password is not set) Unlock (Password is set)	0000 to 9999	0000 You can freely specify a four digit password so that no one other than an administrator can perform network and mail settings.
Reset (P.3-20)				All setting values are returned to the status default.

*1. Settable when both of DHCP and AutoIP are [OFF]

*2. Settable only when Auth. is not OFF

*3. Settable only when Auth. is POP before SMTP

Setting a AUTO Power-off

When no operation has been performed for the set time, the power supply is automatically turned "OFF".

- 1 Press the **FUNC1** (MENU) in Local.
- 2 Press **▲▼** to select "Machine Setup", and press the **ENTER** key.
- 3 Press **▲▼** to select "AUTO POWER OFF", and press the **ENTER** key.
- 4 Press **▲▼** to select a set value, and press the **ENTER** key.
 - Set Value : none, 10 to 600min
- 5 Press the **END/POWER** key several times to end the setting.

Important!

- If the machine received data from the PC in the auto-power-off status, the power supply is turned ON, however, printing operation is not started automatically.

Setting Feeding unit

For setting whether the Feeding unit is used or not used.

- 1 Press the **FUNC1** (MENU) in Local.
- 2 Press **▲▼** to select "Machine Setup", and press the **ENTER** key.
- 3 Press **▲▼** to select "Feeding Unit", and press the **ENTER** key.
- 4 Press **▲▼** to select a set value, and press the **ENTER** key.
 - Set Value : ON/ OFF
- 5 Press the **END/POWER** key several times to end the setting.

Setting Take-up unit

For setting whether the take-up unit is used or not used.

- 1 Press the **FUNC1** (MENU) in Local.
- 2 Press **▲▼** to select "Machine Setup", and press the **ENTER** key.
- 3 Press **▲▼** to select "Take-up Unit", and press the **ENTER** key.
- 4 Press **▲▼** to select a set value, and press the **ENTER** key.
 - Set Value : ON/ OFF
- 5 Press the **END/POWER** key several times to end the setting.

Setting the Display of Media Remain

Whether the screen displays the remaining amount of a media is set.

When the media remaining amount display is turned to "ON"	the remaining amount of a media is displayed in Remote. (However, when a leaf media is used, the length of the media to be printed is displayed.)
When the media remaining amount display is turned to "OFF"	the remaining amount of a media is not displayed in the Remote.



- The displayed amount of a media is a rough indication. It may be different from the actual remaining amount.



- The amount of a media that has been fed by the printing and jog keys is reflected in the remaining amount of a media.
- The length of a media (initial value of the remaining amount) is entered when a roll media is detected. (P.2-9)
- The setting configured here does not become effective unless media detection is performed after the setting has been complete.

- 1 Press the **FUNC1** (MENU) in Local.
- 2 Press **▲▼** to select "Machine Setup", and press the **ENTER** key.
- 3 Press **▲▼** to select "Media Remain", and press the **ENTER** key.
- 4 Press **▲▼** to select ON/OFF.
- 5 Press the **ENTER** key.
- 6 Press the **END/POWER** key several times to end the setting.

Setting Time

You can set time of your country (time difference).

- 1 Press the **FUNC1** (MENU) in Local.
- 2 Press **▲▼** to select "Machine Setup", and press the **ENTER** key.
- 3 Press **▲▼** to select "TIME", and press the **ENTER** key.
- 4 Press **FUNC2** (✓).
 - You will be able to change the time.

- 5 Press **▲▼◀▶** to enter time, and press the **ENTER** key.
 - Year/Month/Day/Time selecting: by the [**◀**][**▶**] keys.
 - Year/Month/Day/Time inputting: by the [**▲**][**▼**] keys.

- 6 Press the **END/POWER** key several times to end the setting.



- As for the time difference, -20 hours to +4 hours can be set.

Setting Unit (Temperature/ Length)

Units used by this machine are set.

- 1 Press the **FUNC1** (MENU) in Local.
- 2 Press **▲▼** to select "Machine Setup", and press the **ENTER** key.
- 3 Press the **FUNC3** (>>) .
- 4 Press **▲▼** to select "Unit/Temp" or "Unit/Length", and press the **ENTER** key.
- 5 Press **▲▼** to select a set value, and press the **ENTER** key.
 - Set value of tempture : °C / °F
 - Set value of length : mm / inch
- 6 Press the **END/POWER** key several times to end the setting.

Setting a Key Buzzer

You can turn off the buzzer sound when pressing the key.

- 1 Press the **FUNC1** (MENU) in Local.
- 2 Press **▲▼** to select "Machine Setup", and press the **ENTER** key.
- 3 Press the **FUNC3** (>>) .
- 4 Press **▲▼** to select "Key Buzzer", and press the **ENTER** key.
- 5 Press **▲▼** to select a set value, and press the **ENTER** key.
 - Set value : ON/ OFF
- 6 Press the **END/POWER** key several times to end the setting.



- The buzzer sound is not disabled for errors, warnings and/or operation completion even if this setting is set to "OFF".

Setting the Display of Media Detection

Set the following two items in media detection settings.

Setting of Media Detection	When loading the media, set whether to detect the media width automatically (AUTO) or decide the print range manually (MANUAL).
-----------------------------------	---



- When using the media that cannot be detected by the sensor, set the media detection setting to "MANUAL".
- When "MANUAL" is selected, the values of "MARGIN (RIGHT/LEFT)" on the SETUP MENU have no effect. (P.3-8)


- 1 Press the **FUNC1** (MENU) in Local.
- 2 Press **▲▼** to select "Machine Setup", and press the **ENTER** key.
- 3 Press the **FUNC3** (>>) .
- 4 Press **▲▼** to select "Media Detect", and press the **ENTER** key.
- 5 Press **▲▼** to select AUTO/MANUAL, and press the **ENTER** key.
- 6 Press the **END/POWER** key several times to end the setting.

Setting the CONFIRM. FEED

Set whether media feeding is performed for checking the result of the test printing etc. or not.

- 1 Press the **FUNC1** (MENU) in Local.
- 2 Press **▲▼** to select "Machine Setup", and press the **ENTER** key.
- 3 Press the **FUNC3** (>>) .
- 4 Press **▲▼** to select "CONFIRM. FEED", and press the **ENTER** key.
- 5 Press **▲▼** to select a set value, and press the **ENTER** key.
 - Set value : ON/ OFF
- 6 Press the **END/POWER** key several times to end the setting.

Set the network

- 1 Press the **FUNC1** (MENU) in Local.
- 2 Press **▲▼** to select "Machine Setup" and press the **ENTER** key.
- 3 Press the **FUNC1** (<<).
- 4 Press **▲▼** to select "Network & Mail" and press the **ENTER** key.
- 5 Press **▲▼** to select "Network" and press the **ENTER** key.
- 6 Press **▲▼** to select "Check IP Address" and press the **ENTER** key.
 - The IP address currently used by this machine is displayed.
 -  • After connecting with the network, it takes time until the IP address is determined. If the IP address has not been determined, "0.0.0.0" is displayed.
- 7 Press **▲▼** to select "Check MAC Address" and press the **ENTER** key.
 - The MAC address currently used by this machine is displayed.
- 8 Press **▲▼** to select "DHCP" and press the **ENTER** key.
 - Press **▲▼** to set ON/ OFF.
 - When it is ON, the IP address given by the DHCP server is used.
- 9 Press **▲▼** to select "AutoIP" and press the **ENTER** key.
 - Press **▲▼** to set ON/ OFF.
 - When it is ON, the IP address is determined by the AutoIP protocol. However, DHCP is ON, DHCP has priority.
- 10 Press **▲▼** to select the set values and press the **ENTER** key.
 - Both of DHCP and AutoIP is OFF, you can set IP Address/ Default Gateway/ DNS Address/ Sub Net Mask. For other than above, proceed to the Step 13.

11 Press     to select the set values.

12 Press  to confirm the value.

13 Press the  key several times to end the setting.



- To reflect network setting, once turn off the power supply and then turn it on again.

Setting event mail function

Set the function to send e-mails to the set e-mail address when events such as cutting start/ end and stop due to an error.

Disclaimer

- The customer is responsible for the communication fee for Internet communication such as e-mail notification.
- The notification by the event mail function may not be delivered due to Internet environment, failure of the device/ the power supply, etc. Mimaki has absolutely no responsibility for any damages or loss resulting from non-delivery or delays.

Important!

- You can use event mail function by connecting LAN to this machine. Please prepare for LAN cable connection beforehand.
- Not compatible with SSL communication.

Enable the event mail function

1 Press the  (MENU) in Local.




2 Press   to select “Machine Setup” and press the  key.

3 Press the  (<<).

4 Press   to select “Network & Mail” and press the  key.

5 Press   to select “Event Mail” and press the  key.

6 Press   to select “Mail Delivery” and press the  key.

7 Press   to select “ON” and press the  key.

8 Press the  key several times to end the setting.

Set the event to send an event mail

- 1 Press the **FUNC1** (MENU) in Local.
- 2 Press **▲▼** to select “Machine Setup” and press the **ENTER** key.
- 3 Press the **FUNC1** (<<).
- 4 Press **▲▼** to select “Network & Mail” and press the **ENTER** key.
- 5 Press **▲▼** to select “Event Mail” and press the **ENTER** key.
- 6 Press **▲▼** to select “Select Event” and press the **ENTER** key.
- 7 Press **▲▼** to select the event, and press the **FUNC2** (✓).
 - After selecting the event, press the [FUNC2] key and put a check in the check box. An email will be sent when the event whose box has been checked occurs.
 - To select multiple events, use [**▲**][**▼**] to put the cursor over the events you want, and put a check in their boxes by pressing [FUNC2].

Event name	Outline
Print Start	Sets sending/not sending of an email when printing starts.
Print End	Sets sending/not sending of an email when printing ends.
Error Event	Sets sending/not sending of an email when printing is stopped due to occurrence of an error.
Warning Event	Sets sending/not sending of an email when a warning occurs during printing.
Other Event	Sets sending/not sending of an email when an event other than the above occurs.

- 8 Press the **ENTER** key.
- 9 Press the **END/POWER** key several times to end the setting.

Set the e-mail address


- 1 Press the **FUNC1** (MENU) in Local.
- 2 Press **▲▼** to select “Machine Setup” and press the **ENTER** key.
- 3 Press the **FUNC1** (<<).
- 4 Press **▲▼** to select “Network & Mail” and press the **ENTER** key.
- 5 Press **▲▼** to select “Event Mail” and press the **ENTER** key.
- 6 Press **▲▼** to select “Mail Address” and press the **ENTER** key.
- 7 Press **▲▼◀▶** to set mail address and press the **ENTER** key.
 - Set the e-mail address to which you send the event mail.
 - Set it with alphanumeric characters and symbols within 96 characters.
- 8 Press the **END/POWER** key several times to end the setting.


Set the subject

- 1 Press the **FUNC1** (MENU) in Local.
- 2 Press **▲▼** to select “Machine Setup” and press the **ENTER** key.
- 3 Press the **FUNC1** (<<).
- 4 Press **▲▼** to select “Network & Mail” and press the **ENTER** key.
- 5 Press **▲▼** to select “Event Mail”, and press the **ENTER** key.
- 6 Press **▲▼** to select “Message Subject” and press the **ENTER** key.
- 7 Press **▲▼◀▶** to set subject, and press the **ENTER** key.
 - Set the characters to write in the subject of the event mail.
 - Set it with alphanumeric characters and symbols within 8 characters.
- 8 Press the **END/POWER** key several times to end the setting.

Set the server

- 1** Press the **FUNC1** (MENU) in Local.
- 2** Press **▲▼** to select “Machine Setup” and press the **ENTER** key.
- 3** Press the **FUNC1** (<<).
- 4** Press **▲▼** to select “Network & Mail” and press the **ENTER** key.
- 5** Press **▲▼** to select “Event Mail” , and press the **ENTER** key.
- 6** Press **▲▼** to select “Server Setup” and press the **ENTER** key.
- 7** Press **▲▼** to select “SMTP Address” and press the **ENTER** key.
- 8** Press **▲▼◀▶** to set SMTP Address and press the **ENTER** key.
 - Press the jog key [**▲▼◀▶**] to set SMTP address.
 - Input the SMTP address name.
- 9** Press **▲▼** to select “SMTP Port No.” , and press the **ENTER** key.
- 10** Press **▲▼** to set SMTP Port No. and press the **ENTER** key.
 - Set the SMTP port number.
- 11** Press **▲▼** to select “Sender Mail Address” and press the **ENTER** key.
- 12** Press **▲▼◀▶** to set Sender Mail Address and press the **ENTER** key.
 - Press [**▲▼◀▶**] and set the e-mail address to be used as the sender mail address.
 - Set it with alphanumeric characters and symbols within 64 characters.

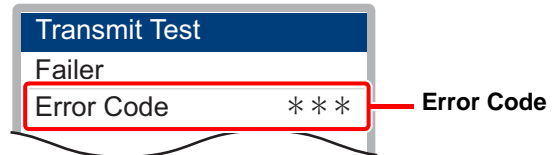
 • Depending on your server, if you do not set the e-mail address not supporting the account, sending/ receiving e-mails may be unavailable.
- 13** Press **▲▼** to select “Authentication” and press the **ENTER** key.
- 14** Press **▲▼** to set authentication method, and press the **ENTER** key.
 - Set the authentication method of the SMTP server.
 - When you select [POP before SMTP], proceed to the Step 15.
 - If you select [SMTP Authentication], after the operation of the steps 15-18, go to step 23.
 - When you select [OFF], proceed to the Step 23.
- 15** Press **▲▼** to select “User Name” and press the **ENTER** key.
- 16** Press **▲▼◀▶** to set User Name and press the **ENTER** key.
 - Press [**▲▼◀▶**] to set the user name to use for the authentication.
 - Set it with alphanumeric characters and symbols within 30 characters.
- 17** Press **▲▼** to select “Password” and press the **ENTER** key.
- 18** Press **▲▼◀▶** to set Password and press the **ENTER** key.
 - Press [**▲▼◀▶**] to set the password to use for the authentication.
 - Set it with alphanumeric characters and symbols within 15 characters.

 • On the password setting screen, you can only check the value that you are currently inputting.
- 19** Press **▲▼** to select “POP3 Address” and press the **ENTER** key.
- 20** Press **▲▼◀▶** to set POP3 Address and press the **ENTER** key.
 - Press [**▲▼◀▶**] to set POP server.
 - Input the POP server name.
- 21** Press **▲▼** to select “APOP” and press the **ENTER** key.
- 22** Press **▲▼** to set ON/ OFF and press the **ENTER** key.
- 23** Press the **END/POWER** key several times to end the setting.

Send a test e-mail

- 1 Press the **FUNC1** (MENU) in Local.
- 2 Press **▲▼** to select "Machine Setup" and press the **ENTER** key.
- 3 Press the **FUNC1** (<<).
- 4 Press **▲▼** to select "Network & Mail" and press the **ENTER** key.
- 5 Press **▲▼** to select "Event Mail" and press the **ENTER** key.

- 6 Press the **FUNC3** (>>) **→** **ENTER** key.
 - "Transmit Test" will be selected.
- 7 Press the **ENTER** key.
 - The sent result is displayed.
 - If sending test e-mail has failed, an error code is displayed.
 - Refer to the next page to solve the problem.



- 8 Press the **END/POWER** key several times to end the setting.

Important!

- The sent result of the test e-mail is the result of e-mail sending process performed by this machine to the e-mail server. It does not indicate that the e-mail was received at the address.
- If the spam e-mail filter etc. has been set in the terminal in which e-mails are received, even if "Sending has been completed" is displayed, the e-mail cannot be received in some cases.
- If sending test e-mail has failed, the error code below is displayed.
- If the error cannot be solved, try again after a while.
- For the server setting etc., contact with the network administrator or the provider.

Error Code	The expected casus	Remedy
10	Network connection error	<ul style="list-style-type: none"> • Check that the machine is connected with the network. • Check that the machine IP address is correct. • Check that the machine is in the environment where DNS is available.
20	No valid e-mail address.	<ul style="list-style-type: none"> • Enter the correct e-mail address.
11003 11004	The POP server cannot be found. Or cannot access DNS server.	<ul style="list-style-type: none"> • Check the POP server address. • Check that the machine is in the environment where DNS is available.
11021	Cannot connect with the POP server.	<ul style="list-style-type: none"> • Check the POP server setting. • Check the firewall setting.
12010	An error returns from the POP server.	<ul style="list-style-type: none"> • Check the POP server setting.
13000	The POP authentication has failed.	<ul style="list-style-type: none"> • Check the user name and the password. • Check the APOP setting. • Confirm the authentication method.
10013 10014	The SMTP server cannot be found. Or cannot access DNS server.	<ul style="list-style-type: none"> • Check the SMTP server address. • Check that the machine is in the environment where DNS is available.
10021	Cannot connect with the SMTP server.	<ul style="list-style-type: none"> • Check the SMTP server setting. • Check the SMTP port number. • Check the firewall setting.
10*** 11*** 20*** 21***	An error returns from the SMTP server.	<ul style="list-style-type: none"> • Check the SMTP server setting. • Cannot communicate with a server that requires mandatory SSL communication. • Check protocol filter settings.
12***	It is invalid sender address.	<ul style="list-style-type: none"> • Check that the e-mail address supporting the account entered in the user name/ the password is set in SENDER ADDRESS.
13***	The e-mail address cannot be found.	<ul style="list-style-type: none"> • Check the e-mail address. • Even if there is a mistake in the e-mail address, this error cannot be detected in some cases.
22000 22008	SMTP authentication error	<ul style="list-style-type: none"> • Confirm the authentication method.
23*** 24*** 25***	The SMTP authentication has failed.	<ul style="list-style-type: none"> • Check the user name and the password.

*** is the error code returned from the e-mail server.

Setting the Setting Lock function

You can freely specify a four digit password so that no one other than an administrator can perform network and mail settings.

Specifying the password for the network and event mail functions

- 1 Press the **FUNC1** (MENU) in Local.
- 2 Press **▲▼** to select “Machine Setup” and press the **ENTER** key.
- 3 Press the **FUNC1** (<<).
- 4 Press **▲▼** to select “Network & Mail” and press the **ENTER** key.
- 5 Press **▲▼** to select “Setting Lock” and press the **ENTER** key.
- 6 Specify a freely chosen password (four digits) and press the **ENTER** key.
 - A notification that setting has started is briefly displayed.
- 7 Press the **END/POWER** key several times to end the setting.

Releasing the password for the network and event mail functions

- 1 Press the **FUNC1** (MENU) in Local.
- 2 Press **▲▼** to select “Machine Setup” and press the **ENTER** key.
- 3 Press the **FUNC1** (<<).
- 4 Press **▲▼** to select “Network & Mail” and press the **ENTER** key.
- 5 Press **▲▼** to select “Setting Lock” and press the **ENTER** key.
- 6 Enter a four-digit password and press the **ENTER** key.
 - **If releasing is a success**
The screen is displayed a message “Release Success”.
 - **If releasing is a failure**
The screen is displayed a message “Release failure”.

- 7 Press the **END/POWER** key several times to end the setting.

Important!

- If you forget the password, you can press the “[FUNC2] (✓)” key displayed in the screen of Step 7 to display the password forced release screen. Be careful as although you can press the [ENTER] key to forcibly release the password, items set for the network and event mail also return to their initial values, making it necessary to re-specify them.

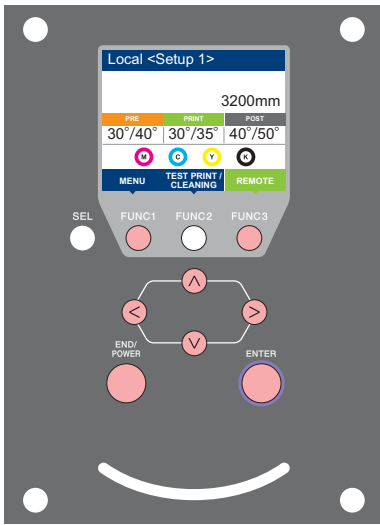
Initializing the Settings

You can return the setting of “SETUP”, “Maintenance” and “Machine Setup” to the status before shipment.

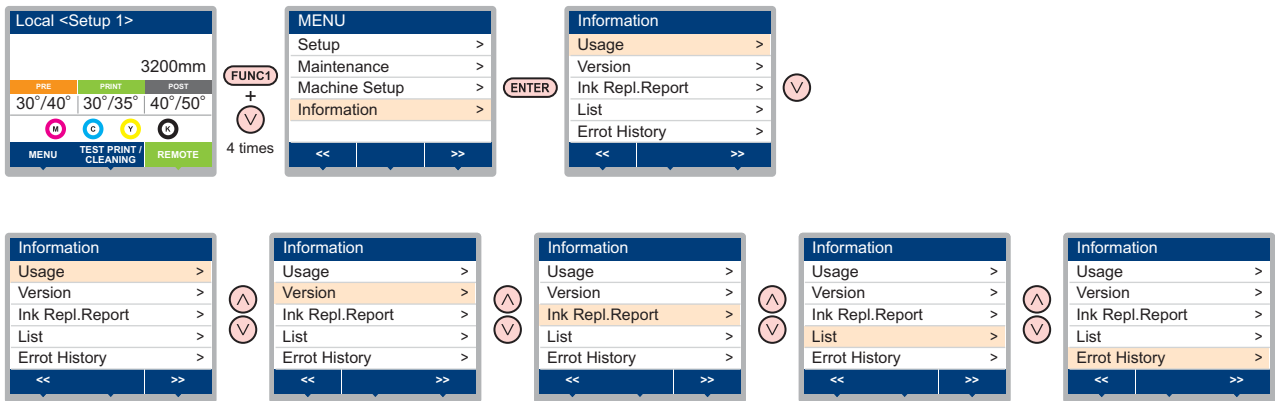
- 1 Press the **FUNC1** (MENU) in Local.
- 2 Press **▲▼** to select “Machine Setup”, and press the **ENTER** key.
- 3 Press the **FUNC1** (<<).
- 4 Press **▲▼** to select “Reset”, and press the **ENTER** key.
- 5 Press the **ENTER** key.
 - The already configured settings are initialized.
- 6 Press the **END/POWER** key several times to end the setting.

About Information MENU

The information of this machine can be confirmed.
The following items can be confirmed as machine information.



- FUNC1** : Press this to select Information MENU, or to switch to the previous screen.
- FUNC3** : Press this to switch to the next screen.
- ▲** **▼** : Use these to select a setting item.
- ENTER** : Press this to confirm a setting, etc..



Information MENU table

Item		Description
USAGE	WIPING	This displays how many wipings have been done.
	PRINT Length	This displays the total length of the printing done to date.
	PRINT AREA	This displays the total area of the printing done to date.
	USE TIME	This displays the total time for which the machine has been used to date.
VERSION		This displays the version information of this machine.
Ink REPL. Report		This prints ink history of this machine.
List		This allows you to print the settings of this machine.
ERROR HISTORY		This displays the history of errors and warnings to date. When you press [▲][▼], the date of occurrence (year/month/day/hour/minute) and the error/warning information are displayed alternately in the order of occurrence.

Displaying the Information

- 1 Press the **[FUNC1]** (MENU) in Local.
- 2 Press **[▲][▼]** to select “Information”, and press the **[ENTER]** key.
 - Information MENU appears.
- 3 Press **[▲][▼]** to select a information.
 - Refer to the “Information MENU”, and select the information to be displayed.
- 4 Press the **[ENTER]** key.
 - If you selected [List] in step 2, the machine’s settings will be printed.
- 5 Press the **[END/POWER]** key several times to end the setting.

Resetting wiper use count

- 1 “USAGE” of Information Menu is displayed.
 - (1) Press the [FUNC1] (MENU) in Local
 - (2) Press [▲][▼] to select “Information”, and press the [ENTER] key twice.
- 2 Press **[▲][▼]** to select “WIPING”, and press the **[FUNC2]** (✓).
 - A confirmation screen appears asking if you want to clear the use count of the wiper.
- 3 Press the **[ENTER]** key to clear the counter.
 - The use count of the wiper is cleared.

Displaying the Information of this machine

- 1 Press the **[ENTER]** key in Local.
- 2 The information is displayed sequentially with the **[ENTER]** (or **[◀][▶]**)key.
 - The information shown on the below appear.

Ink information



- if the sub tank error has occurred, press the [F2] key to display the number of the sub tank that error occurs.

CS100	
1. (M) 90%	No Error
2. (C) 80%	No Error
3. (Y) 70%	No Error
4. (K) 82%	No Error

Error/ Warning (Only at the time of occurrence)

Warning	
Media Undetected	

Machine information (Media width/ Serial No. /Version)

Media width	3200mm
Serial No.	'00000000
SWJ-320EA	V1.00

Expiration date of ink

Ink Expiration	
M	17/01
C	17/01
Y	17/01
K	17/01

Nozzle recovery

Nozzle Recovery	
M	0
C	0
Y	0
K	0

- 3 Press the **[END/POWER]** key to return to Local.

Setting a Language

You can change the displayed language.

- 1** Press the **FUNC1 (MENU)** → **FUNC1 (<<)** → **ENTER** key in Local.
 - Language MENU appears.
- 2** Press **▲** **▼** to select language, and press the **ENTER** key.
 - Set Value : 日本語 / English / Español / Português / 中文
- 3** Press the **END/POWER** key several times to end the setting.

Chapter 4

Maintenance



This chapter

describes the items required to use this machine more comfortably, which are the methods for the daily care, the maintenance of the ink unit etc.






Maintenance	4-2	When nozzle missing Cannot Be Solved	4-12
Precautions for Maintenance	4-2	Washing the Head Nozzle	4-12
About Cleaning Solution	4-2	Nozzle Recovery Function	4-13
Cleaning the Exterior Surfaces	4-2	Automatic Maintenance Function	4-15
Cleaning the Platen	4-2	Setting the Refreshing level	4-15
Cleaning The Heater Cover	4-3	Setting the Cleaning level	4-16
Cleaning the Media Sensor	4-3	Discarding waste ink	4-16
Cleaning the Media Press	4-4	For waste ink remaining management	4-18
About Maintenance MENU	4-5	Adjust the waste ink	4-19
Maintenance MENUs at-a-glance	4-6	Replacing consumables	4-19
Maintaining the Capping Station	4-7	Replacing the wiper	4-19
Cleaning the Wiper and Cap	4-7	Replacing the Mist Fan Filter (H fan filter)	4-20
Washing the Ink Discharge Passage	4-8	Replace the ink tank	4-21
When the Machine Is Not Used for a Long Time (Custody Wash)	4-9	Replacing the cap absorber	4-22
Cleaning the Ink Head and the Area around It	4-11		

Maintenance

Maintain the machine regularly or as necessary so that its accuracy will be maintained and it can continue to be used for a long time.

Precautions for Maintenance

Pay attention to the following items when maintaining this machine.

	<ul style="list-style-type: none"> When using cleaning solution for maintenance, be sure to wear the included safety glasses and gloves.
	<ul style="list-style-type: none"> Never disassemble the machine. Disassembling it can result in electric shock hazards or damage to the machine. Before maintenance, be sure to turn off the power button and main power switch, and unplug the power cable; otherwise, an unexpected accident may occur.
	<ul style="list-style-type: none"> Prevent moisture from entering the machine. Moisture inside the machine can cause electric shock hazards or damage to the machine.
	<ul style="list-style-type: none"> To ensure stable ink jetting, it is necessary for the machine to eject a small amount of ink (flushing) regularly when a printing (outputting) operation has not been performed for a long time. When the machine is not to be used for a long time, turn off only the power button on the front side, leave the main power switch at the side turned ON (in the position of), and leave the power cable connected.
	<ul style="list-style-type: none"> Do not use benzene, thinner, or any chemical agent containing an abrasive. Such materials can deteriorate or deform the surface of the cover. Do not apply a lubricant, etc. to any parts inside the machine. Doing so can cause printing failure. Be careful that the cleaning solution, ink, etc. not to stick to the cover because this may cause the surface of the cover to deteriorate or deform.

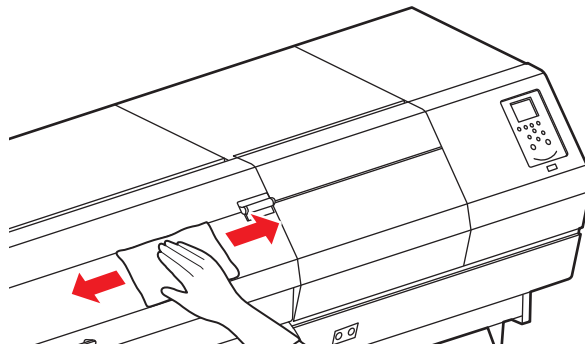
About Cleaning Solution

Use the cleaning liquid dedicated for the ink being used.

Type of Ink	Applicable maintenance washings
Solvent ink	Cleaning solution kit200 (SPC-0369)(sold separately)

Cleaning the Exterior Surfaces

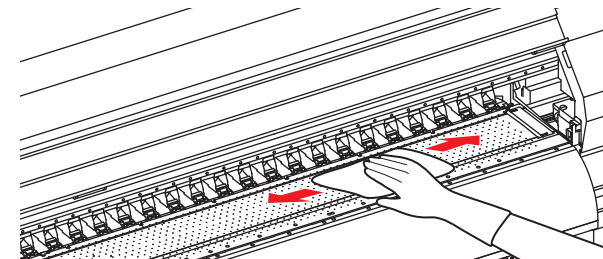
When the exterior surfaces of the machine are stained, dampen a soft cloth with water or a neutral detergent diluted with water, squeeze it, and wipe the surfaces with the cloth.



- Do not allow liquids to get inside the product. Ingress of liquids into the product may lead to failure, electric shock, or fire.

Cleaning the Platen

Continuing to use the media while it is dirty may cause media to be fed incorrectly, or rubbing dirt or solid ink onto the head nozzle surface, resulting in discharge failure (nozzle clogging, deflection, etc.).



- Turn off the main power and unplug the power cable before maintenance.
- Do not allow liquids to get inside the product. Ingress of liquids into the product may lead to failure, electric shock, or fire.



- When the platen is stained with ink, wipe it off with a paper towel containing a small amount of cleaning solution for maintenance.



- Before cleaning the platen, make sure that the platen heater has cooled adequately.
- When cleaning the platen, do not apply strong force to the platen or wipe it with a hard cloth. Doing so may damage or deform the platen, causing poor printed image. If the deformed platen is used, the media may meander and the print head may be damaged.

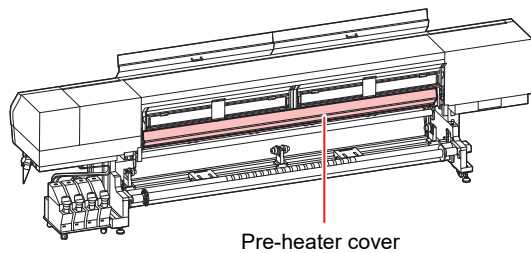
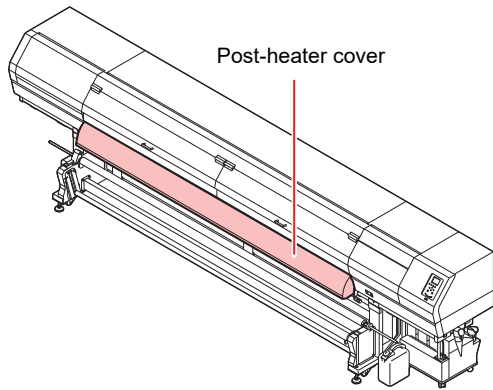
Cleaning The Heater Cover

The pre-heater cover and the post-heater cover become more likely to become dirty with media powder and the like.

If dirt is conspicuous, include soft cloth with water or diluted neutral detergent, tightly squeezed and wipe it.

Important!

- Clean the heater cover, after lower the heater temperature sufficiently.



Cleaning the Media Sensor

The media sensors are located on the platen in the backside (3 places) and the bottom surface of the head (1 place). When the sensor is covered with dust, etc., it may cause false detection of media.

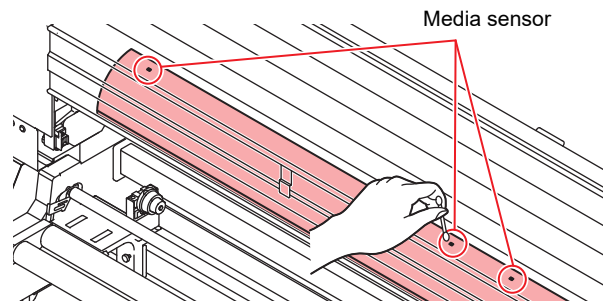
Using a cotton swab, remove the dust, etc. accumulated on the surface of the sensor.

When cleaning the sensor on the lower surface of the head is cleaned, move the carriage to the left end by the operations of step 1 of P.4-11 "Cleaning the Ink Head and the Area around It", and clean it.

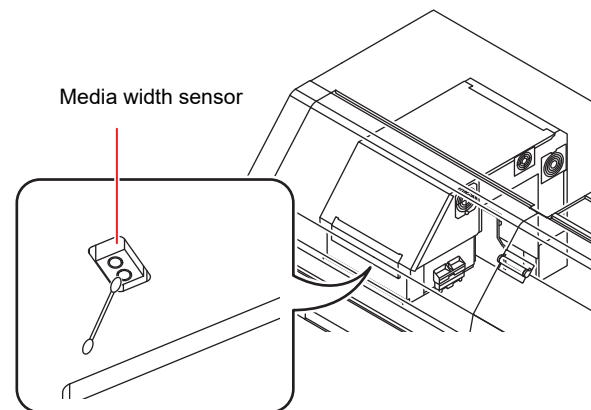


- Do not press against the sensor with the cotton swab. Doing so could damage the sensor.

The backside of the machine



The lower surface of the head



Cleaning the Media Press

When the media press is covered with lint, dust, etc., a media cannot be fed normally during printing or dust sticks to the nozzles, which may result in abnormal printing.

Clean the media press regularly with a dry cloth or paper towel.

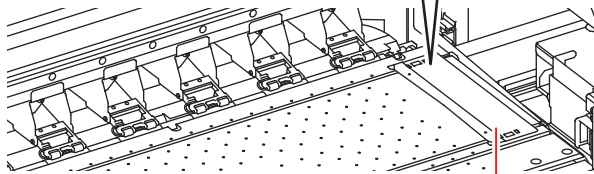
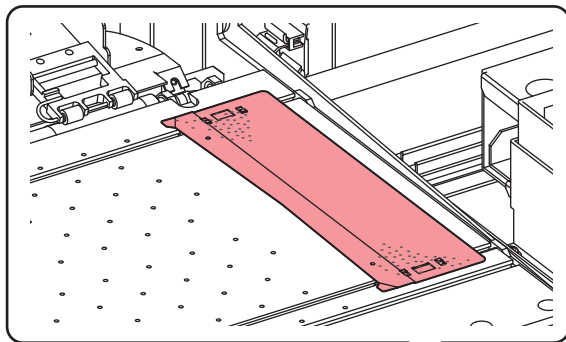
If there is ink on the media press, wipe it away with a clean stick dipped in washing liquid for maintenance.



- Turn off the main power and unplug the power cable before maintenance.
- Do not allow liquids to get inside the product. Ingress of liquids into the product may lead to failure, electric shock, or fire.



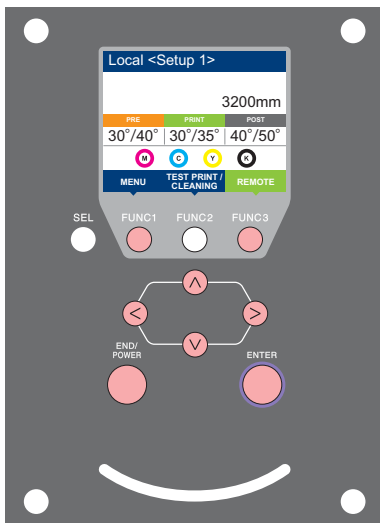
- When using washing liquid for maintenance, be sure to wipe it away completely so that none remains on the media press.



Media press

About Maintenance MENU

This provides various settings for doing maintenance on the machine.
The following items can be set in Maintenance settings.



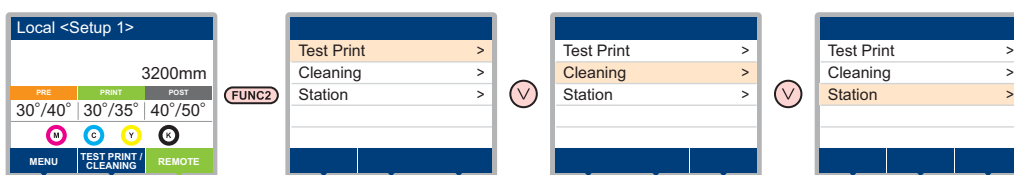
- FUNC1** : Press this to select Maintenance MENU, or to switch to the previous screen.
- FUNC2** : Press this to use the maintenance function.
- FUNC3** : Press this to switch to the next screen.
- FUNC3** : Use these to select a setting item.
- ▲ ▼** : Press this to confirm a setting, etc..
- ENTER**

Maintenance MENUs at-a-glance



◆ Press the **FUNC2** key to perform “Station maintenance”.

The Station MENU can be displayed easily without selecting [MENU]-[Maintenance] from Local. Press the [SEL] key to display “TEST PRINT/CLEANING” for [FUNC2], and then press the [FUNC2] key.



Maintenance MENUs at-a-glance

Item	Set value	Meaning	
Station	For carrying out maintenance on the carriage and station periphery.		
	Carriage Out (☞ P.4-7)	_____	Moves the carriage out, for carrying out cleaning of the cap periphery, head, wipers, etc.
	Nozzle Wash (☞ P.4-12)	1 to 15min	Soaks the nozzle surfaces in maintenance cleaning fluid, for carrying out recovery from nozzle missing or bent.
	Pump Tube Wash (☞ P.4-8)	_____	Executes washing of the suction pump tubes.
	Custody Wash (☞ P.4-9)	1 to 15min	Carried out when the machine is going to be out of use for an extended period. Washes the nozzles and tubes beforehand, to keep the machine in fine condition.
	Replace Wiper (☞ P.4-19)		Used when replacing the wiper. If the wiper is replaced, the number of times the wiper was used that is managed in this machine is reset.
Nozzle Recovery (☞ P.4-13)	For printing using another nozzle, if nozzle wash and so forth fail to effect recovery from nozzle missing, etc.		
	PRINT		Used to print a pattern and to check and/or register clogged nozzles.
	ENTRY		Registers the faulty nozzle identified by "PRINT".
	CLEAR		Resets a registered faulty nozzle.
	CHECK		Checks recoverable printable conditions.
Auto Maint. (☞ P.4-15)	For having the various maintenance functions executed automatically. Set the execution interval for each maintenance function.		
	Refresh	OFF/Lv.1/Lv.2/ Lv.3	Set the interval of the refresh activation.
	Cleaning	OFF/Lv.1/Lv.2/ Lv.3	Set the activation interval of the head cleaning.
Sub Tank (☞ P.5-4)		Used to charge ink and to solve the problems including ink errors and nozzle missing .	
Air PG (☞ P.5-4)		Removes any air inside the print head causing poor discharge.	
Replace Ink Tank (☞ P.4-21)		Used to replace an ink tank and to reset the ink charge information.	

Maintaining the Capping Station

Maintain the ink cap, wiper, etc. located in the capping station. (Station maintenance)

The ink cap and wiper function as follows.

- **Wiper** : It wipes off ink sticking to the head nozzles.
- **Ink cap** : It prevents the head nozzles from clogging due to dryness.

As the machine is used repeatedly, the wiper and ink cap gradually become dirty with ink, dust, etc. If nozzle missing cannot be corrected even after head cleaning (☞ P.2-19) has been performed, use a Washing liquid for maintenance and clean stick.

Tools required for Maintenance

- | | |
|---------------------------------------|------------------|
| • Cleaning solution kit200 (SPC-0369) | |
| • Clean stick (SPC-0527) | |
| • Gloves | • Safety glasses |



- Be sure to wear the supplied safety glasses and gloves when maintaining the capping station. Otherwise, you may get ink in your eyes.
- Do not move the carriage out of the capping station by hand. When it is desirable to move the carriage, press the [FUNC2] (TEST PRINT/CLEANING) key to execute the carriage-out. (☞ P.4-7 Steps 1 to 2)
- Be sure to perform maintenance for the ink cap and the wiper of capping station every day. If you leave it dirty, dirt may adhere to the nozzle surface, or, dust and dry ink may be rubbed against the nozzle. It may cause discharge defect.

Cleaning the Wiper and Cap

It is recommended that the wiper and cap be cleaned frequently in order to maintain the high image quality of the machine and keep the machine itself in good working order.



- When work is complete at the end of the day, clean the wipers and surrounding areas.
- Replace the wiper with a new one when it is extremely dirty or bent. (☞ P.4-19)
- When cleaning the wiper, be careful that lint from the clean stick does not get left on the wiper. Remaining lint may cause image quality to deteriorate.

1 Press the **[FUNC2]** (TEST PRINT/CLEANING), and press the **[ENTER]** key in Local.

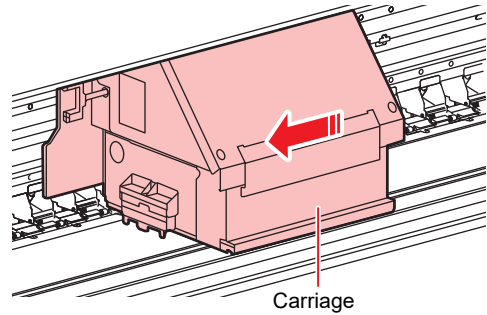
2 Press **[▲]** **[▼]** to select “Station”, and press the **[ENTER]** key.

- The Station MENU appears.

3 Press **[▲]** **[▼]** to select “CARRIAGE OUT”, and press the **[ENTER]** key.

4 Press **[▲]** **[▼]** to select “Station”, and press the **[ENTER]** key.

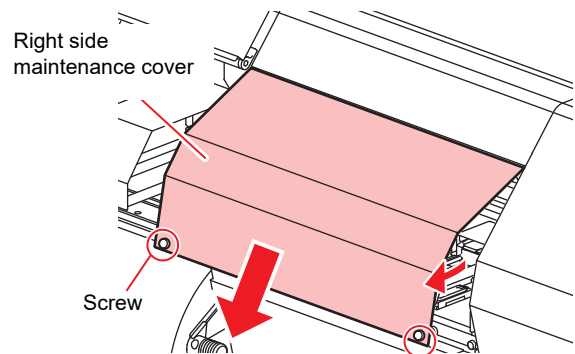
- Press the [ENTER] key in the Execution Check screen, and the carriage moves over the platen.



5 Open the right side maintenance cover.

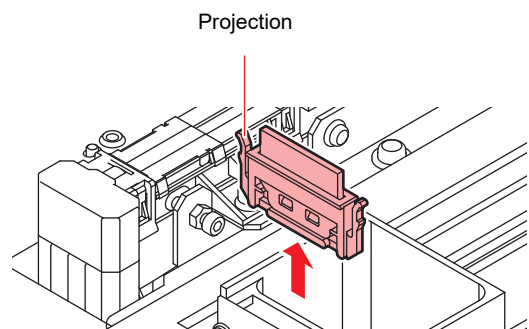
- (1) Rotate the screws under the right side maintenance cover (for two positions) to the left and remove them.
- (2) Hold the bottom of the right side maintenance cover and pull it to the front.
- (3) While pulling the right side maintenance cover downward, remove it.

- If the right side maintenance cover is hard to remove, use the supplied screwdriver.



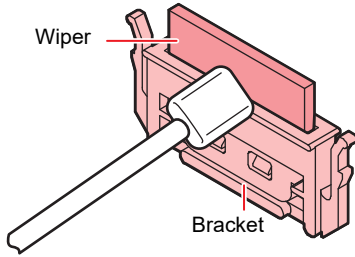
6 Remove the wiper.

- Pull out the wiper by holding the projections at its both ends.



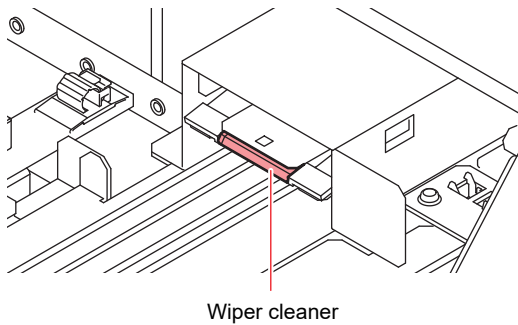
7 Clean the wiper and bracket.

- Wipe off the ink sticking to the wiper and bracket with a clean stick dipped in cleaning solution for maintenance. Wipe off so that cleaning solution for maintenance will not remain.



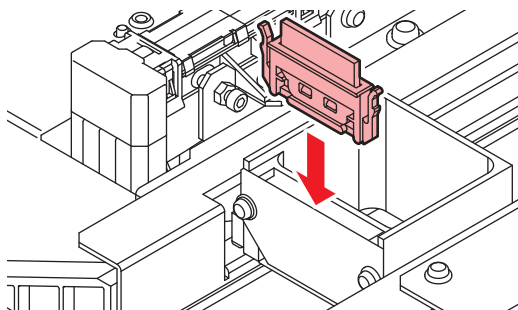
8 Clean the wiper cleaner.

- Wipe off the ink sticking to the wiper cleaner with a clean stick dipped in cleaning solution for maintenance.



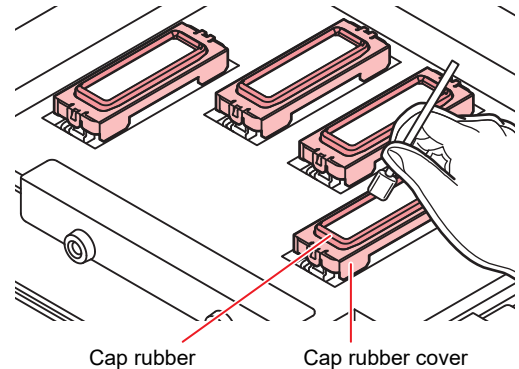
9 Set the wiper at the original position.

- Insert the wiper by holding both ends of the wiper.



10 Clean the cap rubber and cap rubber cover.

- Wipe off the ink sticking to the cap rubber and cap rubber cover with a clean stick dipped in cleaning solution for maintenance. Wipe off so that cleaning solution for maintenance will not remain.



11 Close the right side maintenance cover then press the **ENTER key.**

- After its initial operation, the machine returns to step1.

Performing the Station without [FUNC2] (TEST PRINT/CLEANING) key

You can select Station by using the [FUNC1] (MENU) key in the Local without pressing the [FUNC2] (TEST PRINT/CLEANING) key.

- (1) Press the [FUNC1] (MENU) key in Local.
- (2) Press [▲][▼] to select "Maintenance", and press the [ENTER] key.
- (3) Press [▲][▼] to select "Station", and press the [ENTER] key.
 - The Station MENU appears. Then proceed to step 3.

Washing the Ink Discharge Passage

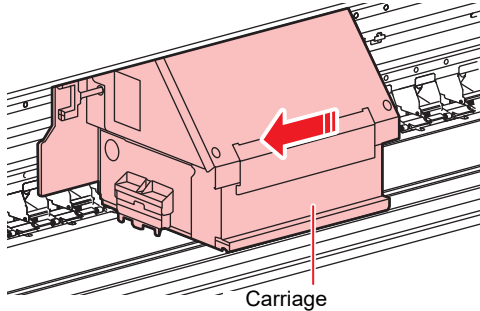
Wash the ink discharge passage on a regular basis (once every 2 - 3 months) to prevent ink coagulation from clogging the passage.

- 1** Press the **FUNC2** (TEST PRINT/CLEANING), and press the **ENTER** key in Local.

- 2** Press **▲▼** to select "Station", and press the **ENTER** key.
 - The Station MENU appears.

3 Press to select "Pump Tube Wash", and press the key.

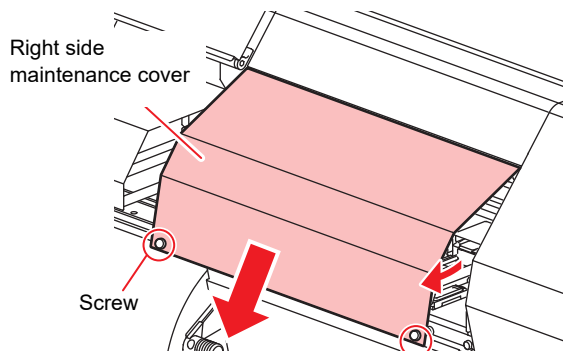
- Press the [ENTER] key in the Execution Check screen, and the carriage moves over the platen.
- Dry suction operation is performed repeatedly until the washing work is completed.



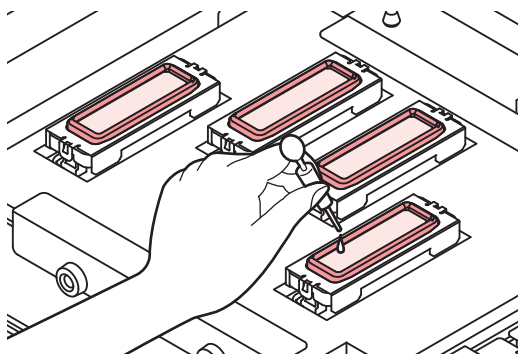
4 Open the right side maintenance cover.

- (1) Rotate the screws under the right side maintenance cover (for two positions) to the left and remove them.
- (2) Hold the bottom of the right side maintenance cover and pull it to the front.
- (3) While pulling the right side maintenance cover downward, remove it.

- If the right side maintenance cover is hard to remove, use the supplied screwdriver.



5 Suction the cleaning solution into a syringe and squirt about three syringes worth of solution into each cap.



6 Close the right side maintenance cover and press the key.

- After running a dry suction for a certain period of time, the screen returns to step 2.

When the Machine Is Not Used for a Long Time (Custody Wash)

When the machine is not going to be used for a week or more, use the cleaning function for custody to clean the head nozzles and ink discharge passage. After this, keep the machine in custody.

Check the items on the right beforehand.

Is [NEAR END] or [INK END] displayed?

- The cleaning solution or ink is absorbed when the nozzles are washed.
At this time, if the state of "no ink" or "almost no ink" is detected, the nozzle washing operation cannot start.
- Refill ink.

- Important!** • Be sure to use the dedicated washing liquid for maintenance (SPC-0369).

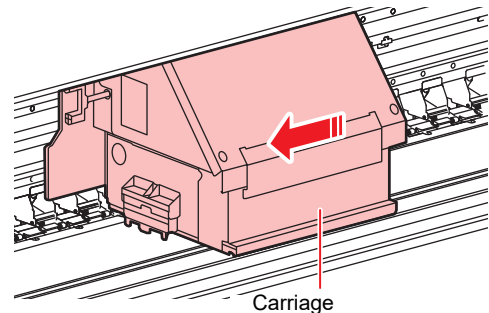
1 Press the (TEST PRINT/CLEANING), and press the key in Local.

2 Press to select "Station", and press the key.

- The Station MENU appears.

3 Press to select "Custody Wash", and press the key.

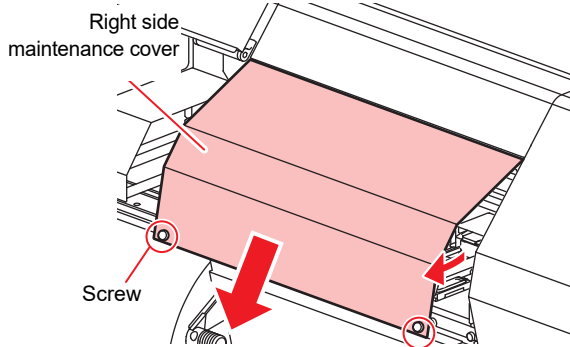
- Press the [ENTER] key in the Execution Check screen, and the carriage moves over the platen.



- Important!** • Until wiper/ bracket cleaning is completed, [Please clean the wiper.] is displayed on the screen. After the work up to the step 5 is completed, press the [ENTER] key.

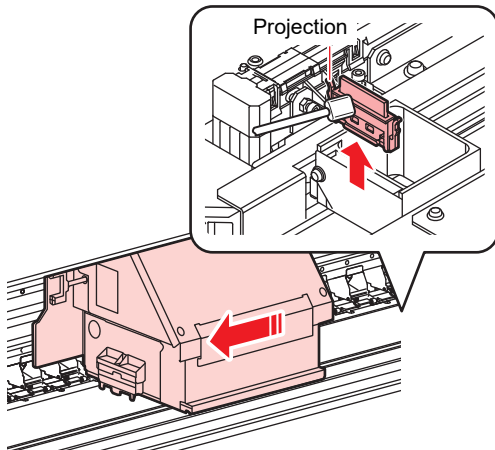
4 Open the right side maintenance cover.

- (1) Rotate the screws under the right side maintenance cover (for two positions) to the left and remove them.
 - (2) Hold the bottom of the right side maintenance cover and pull it to the front.
 - (3) While pulling the right side maintenance cover downward, remove it.
- If the right side maintenance cover is hard to remove, use the supplied screwdriver.



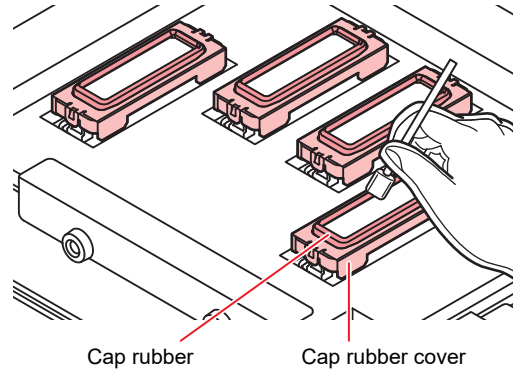
5 Clean the wiper and the bracket, and press the **ENTER** key.

- (1) Open the right maintenance cover then pull out it by holding projections at both ends of the wiper.
- (2) Clean with a clean stick including the cleaning solution (SPC-0369: Cleaning solution).
 - Wipe off so that maintenance washing liquid for maintenance will not remain.
- (3) Insert it in the original position by holding the projections at both ends of the wiper.



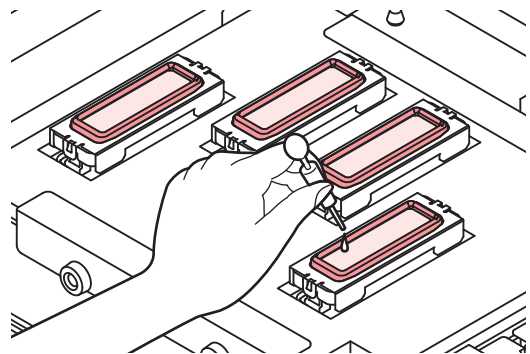
6 Clean the cap rubber and cap rubber cover and press the **ENTER** key.

- Wipe off the ink sticking to the cap rubber and cap rubber cover with a clean stick dipped in cleaning solution for maintenance. Wipe off so that cleaning solution for maintenance will not remain.
- At this time, the discharge passage is cleaned automatically.



7 Fill up the cap with cleaning solution for maintenance, using a dropper.

- Fill the cap with the cleaning solution just before the solution overflows from the cap.

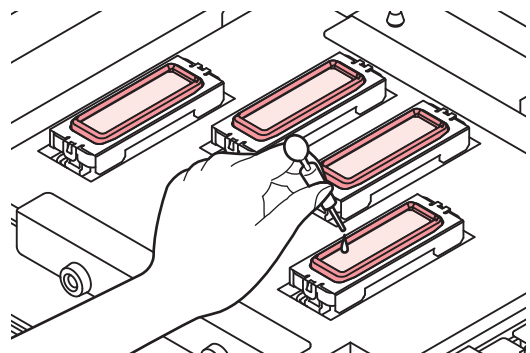


Important! • Until washing liquid is filled, [Fill the liquid.] is displayed on the screen.

8 Close the right maintenance cover, and press the **ENTER** key.

- The nozzles are washed.
- When the nozzles have been completely washed, the head moves onto the platen.

9 Suction the cleaning solution into a syringe and squirt about three syringes worth of solution into each cap.



10 Close the right side maintenance cover and press the **ENTER** key.

- After the idle absorbing operation has been performed for 30 seconds, the screen returns to step2.

Cleaning the Ink Head and the Area around It

Because the ink head employs a very precise mechanism, due care needs to be taken when it is cleaned.

Using a clean stick, etc., rub off gelatinous ink or dust that may stick to the lower part of the slider and the area around the ink head. In doing so, never rub the nozzles of the head.

Tools required for cleaning

• Clean stick (SPC-0527)	• Gloves
• Safety glasses	



- Be sure to wear the attached safety glasses and gloves when cleaning the area around the ink head. Otherwise, you may get ink in your eyes.
- The ink contains organic solvent. If you get the ink on your skin or in your eyes, wash it away with plenty of water immediately.

1 Press the **FUNC2** (TEST PRINT/CLEANING), and press the **ENTER** key in Local.

2 Press **▲▼** to select “Station”, and press the **ENTER** key.

- The Station MENU appears.

3 Press **▲▼** to select “CARRIAGE OUT”, and press the **ENTER** key.

4 Press **▲▼** to select “HEAD MAINTENANCE”, and press the **ENTER** key.

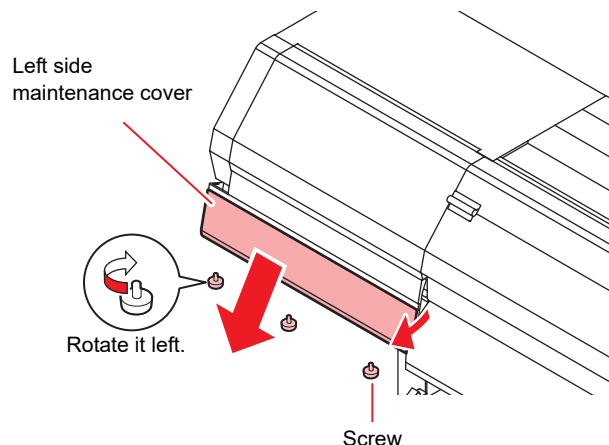
- Press the [ENTER] key in the Execution Check screen, and the carriage moves to the left end of this machine.

5 Remove the left side maintenance cover.

(1) Rotate the screws under the left side maintenance cover (for three positions) to the left and remove them.

(2) Hold the bottom of the left maintenance cover, and pull the cover toward you from below to remove the cover.

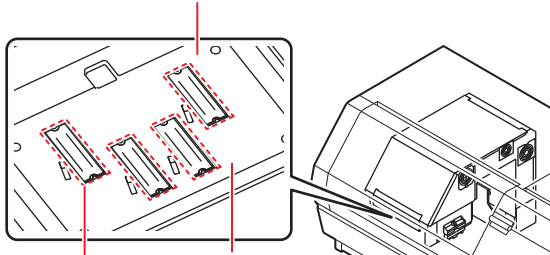
- If the left side maintenance cover is hard to remove, use the supplied screwdriver.



6 Wipe ink sticking to the side of the head off with a clean stick.

- Never rub the nozzles.

Clean the side surface of the head (shown in deep gray) with a clean stick.



Clean with a clean stick or a waste cloth.

The nozzle part (Never touch it.)

7 After the cleaning, close the left side maintenance cover then press the **ENTER** key.

- After its initial operation, the machine returns to Local.

When nozzle missing Cannot Be Solved

When nozzle missing cannot be solved even after the head cleaning (☞ P.2-19) has been done, perform the following three functions:

Nozzle Wash	• Wash the head nozzle. (☞ P.4-12)
Nozzle Recovery	• Alternative nozzles for printing, when nozzles missing can not be improved. (☞ P.4-13)
Sub Tank	• Fill the head with ink. (☞ P.5-4)

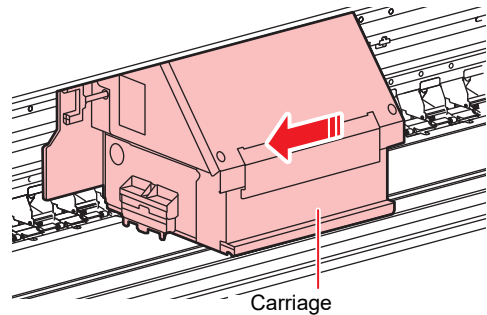
Washing the Head Nozzle

Perform cleaning of the nozzles in the heads to prevent them being clogged with coagulated ink.

1 Press the **FUNC2** (TEST PRINT/CLEANING), and press the **ENTER** key in Local.

2 Press **▲ ▼** to select “Station”, and press the **ENTER** key.
• The Station MENU appears.

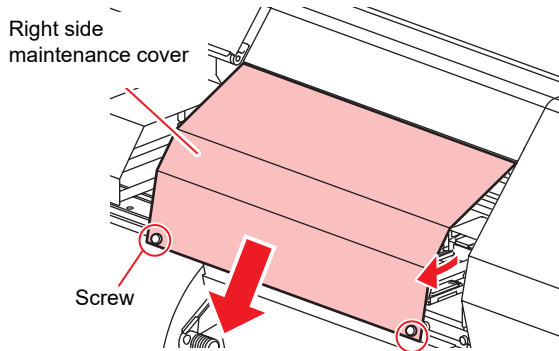
3 Press **▲ ▼** to select “Nozzle Wash”, and press the **ENTER** key.
• Press the [ENTER] key in the Execution Check screen, and the carriage moves over the platen.



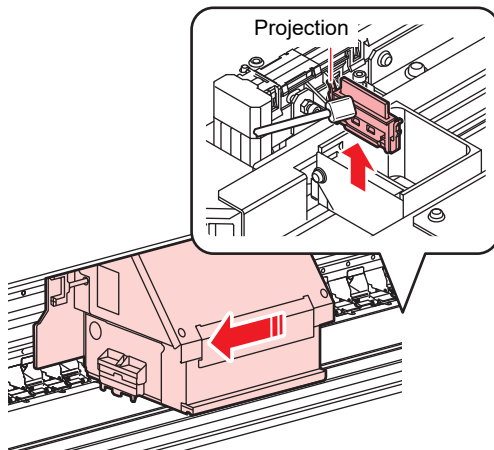
4 Open the right side maintenance cover.

- (1) Rotate the screws under the right side maintenance cover (for two positions) to the left and remove them.
- (2) Hold the bottom of the right side maintenance cover and pull it to the front.
- (3) While pulling the right side maintenance cover downward, remove it.

- If the right side maintenance cover is hard to remove, use the supplied screwdriver.

**5 Clean the wiper and the bracket, and press the **ENTER** key.**

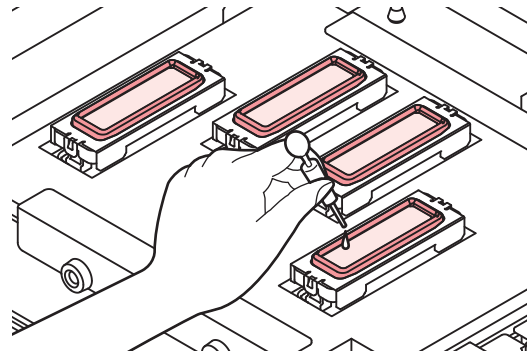
- (1) Pull it out by holding projections at both ends of the wiper.
- (2) Clean with a clean stick including the cleaning solution (SPC-0369: Cleaning solution).
 - Wipe off so that maintenance washing liquid for maintenance will not remain.
- (3) Insert it in the original position by holding the projections at both ends of the wiper.

**6 Clean the cap rubber , and press the **ENTER** key.**

- Wipe off the ink sticking to the cap rubber with a clean stick dipped in maintenance washing liquid for maintenance.
- Wipe off so that maintenance washing liquid for maintenance will not remain.
- At this time, the discharge passage is cleaned automatically.

7 Fill up the cap with cleaning solution for maintenance, using a dropper.

- Fill the cap with the cleaning solution just before the solution overflows from the cap.

**8 Close the right side maintenance cover and press the **ENTER** key.**

- Perform the capping operation and wait 1 minute.
- The display provides a countdown display.
- When the resting time has passed, the machine absorbs the cleaning solution filled in the cap, and performs cleaning. Then the machine returns to the display in step 2.

Important!

- When nozzle missing is not cleared even after this washing is carried out several times, contact the distributor in your region or our service office.

Nozzle Recovery Function

Nozzle Recovery: When nozzles missing can not be improved at specific points, other good nozzles can be used as alternatives for printing.

Print the nozzle pattern

Used to print a pattern and to check and/or register clogged nozzles.

1 Press the **FUNC1** (MENU) in Local.**2** Press **▲** **▼** to select "Maintenance", and press the **ENTER** key.

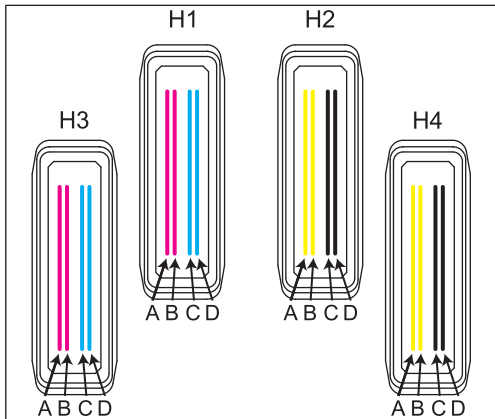
- Maintenance MENU appears.

3 Press **▲** **▼** to select "Nozzle Recovery", and press the **ENTER** key.**4** Press the **ENTER** key.**5** Press **▲** **▼** to select desired head(s) (H1-2/H3-4), and press the **ENTER** key.

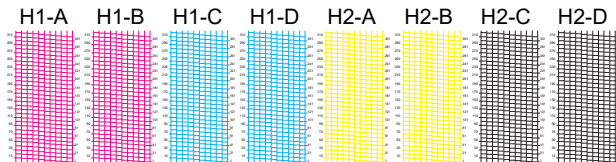
6 Press the **ENTER** key twice.

- Printing of the nozzle pattern will start.
- Select "ENTRY" then "Move to select of the Nozzle line (Step 5) without drawing a pattern"

Overhead view (4-color inkset)

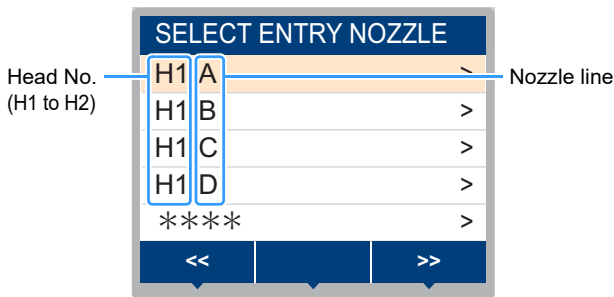


Nozzle pattern of Head 1 and 2(4-color inkset)



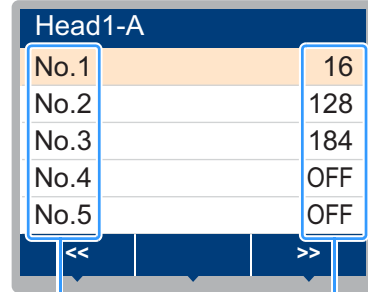
Important! • Set a media of more than 210mm put horizontally. If a media with narrow width is set, printing will only be conducted to midway.

7 Select the Nozzle line that needs Nozzle Recovery by pressing **▲** **▼**, and press **ENTER** key.



8 Register the Nozzle number that needs Nozzle Recovery and then press **ENTER** key.

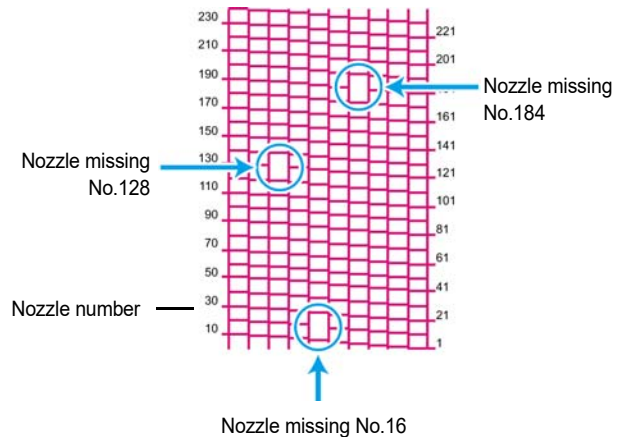
- (1) Select the registration number from 1 to 10 by pressing **▲**/**▼** key and press the **ENTER** key.
- (2) Register the nozzle number that needs recovery by pressing **▲**/**▼** key and press the **ENTER** key.



Recovery nozzle No. or OFF

Registration number : 1 to 10

Example of nozzle to be recovered



Registration number	Recovery Nozzle No.	State
1	16	Target for nozzle recovery
2	128	Target for nozzle recovery
3	184	Target for nozzle recovery
4	OFF	No registration
5	OFF	No registration

9 Press the **END/POWER** key several times to end the setting.

- Important!**
- Up to 10 nozzles can be registered per 1 nozzle line.
 - Even if you use this function, time required for drawing does not change.
 - The nozzle recovery is not reflected if printing is performed under the following conditions:

Resolution	Pass	Scan speed
300x600	2 pass	Normal

Check the print condition for which nozzle recovery cannot be performed

Depending on the nozzle registered, there is the mode not reflected by "RECOVERY".

Check the unrecoverable print conditions with the check function.



- If there are many registered nozzles, it takes time to display the check result.

- 1 Press the **FUNC1** (MENU) in Local.
- 2 Press **▲▼** to select "Maintenance", and press the **ENTER** key.
 - Maintenance MENU appears.
- 3 Press **▲▼** to select "Nozzle Recovery", and press the **ENTER** key.
- 4 Press **▲▼** to select "CHECK", and press the **ENTER** key.
 - The mode for which nozzle recovery is invalid is displayed.
 - If there is no mode for which nozzle recovery is invalid, "NONE" is displayed.
- 5 Press the **END/POWER** key several times to end the setting.

Clear the set value

- 1 Press the **FUNC1** (MENU) in Local.
- 2 Press **▲▼** to select "Maintenance", and press the **ENTER** key.
 - Maintenance MENU appears.
- 3 Press **▲▼** to select "Nozzle Recovery", and press the **ENTER** key.
- 4 Press **▲▼** to select "CLEAR", and press the **ENTER** key.
- 5 Press **▲▼** and **FUNC1** (>>) **FUNC3** (<<) to select the Nozzle line that need clear, and press the **ENTER** key.
 - A clearconfirmation message appears.
- 6 Press the **ENTER** key.
- 7 Press the **END/POWER** key several times to end the setting.

Automatic Maintenance Function

To use this machine comfortably, you can set various maintenances to be performed automatically.

Here, set performing intervals of various automatic maintenances.

You can prevent troubles such as ink clogging by performing automatic maintenance periodically (automatic maintenance function).

For the Auto Maint. functions, the following items can be set:



- When you perform maintenance manually, after manual maintenance is completed and when time set with the automatic maintenance function has passed, maintenance starts automatically.

Function name	Descriptions
Refresh	Sets the refresh level.
Cleaning	Sets the head cleaning level.



- If an ink tank error occurs, the operation set by the Automatic Maintenance function is not performed. Release the error. (☞ P.5-11)
- During the execution of automatic maintenance, ink flows into the waste ink tank. Check the amount of ink in the waste ink tank every day, and discard the ink if necessary. (☞ P.4-16)

Setting the Refreshing level

For nozzle clogging prevention, set the amount of some ink to be discharged from the nozzle.

- 1 Press the **FUNC1** (MENU) in Local.
- 2 Press **▲▼** to select "Maintenance", and press the **ENTER** key.
 - Maintenance MENU appears.
- 3 Press **▲▼** to select "Auto Maint.", and press the **ENTER** key.
- 4 Press the **ENTER** key.
 - "Refresh" will be selected.
- 5 Press **▲▼** to set the refresh level, and press the **ENTER** key.
 - Set value : OFF/Lv.1/Lv.2/Lv.3
- 6 Press the **END/POWER** key several times to end the setting.

Setting the Cleaning level

The head cleaning level is set.

- 1 Press the **FUNC1** (MENU) in Local.
- 2 Press **▲▼** to select “Maintenance”, and press the **ENTER** key.
 - Maintenance MENU appears.
- 3 Press **▲▼** to select “Auto Maint.”, and press the **ENTER** key.
- 4 Press **▲▼** to select “Cleaning”, and press the **ENTER** key.
- 5 Press **▲▼** to select the cleaning level, and press the **ENTER** key.
 - Set value : OFF/Lv.1/Lv.2/Lv.3
- 6 Press **▲▼** to select the cleaning type, and press the **ENTER** key.
 - Set value : Soft/ Normal/ Hard
- 7 Press the **END/POWER** key several times to end the setting.

Discarding waste ink



- Discard waste ink frequently. If left for a long time, the ink in the waste ink tank may be cured or overflow.
- When disposing of the waste ink, be sure to wear attached safety glasses and gloves to perform the work. Otherwise, you may get ink in your eyes.
- If you get the ink on your skin or in your eyes, wash it away with plenty of water immediately.

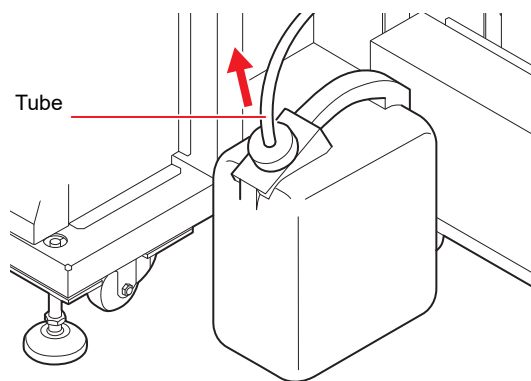


1 Remove the waste ink tank.

- Pull out the tube inserted into the waste ink tank, and take out the waste ink tank.



- When pulling out the tube, ink may drop from the tip of the tube. Wipe the tube with waste cloth and cover the tip before starting work.



2 Replace the waste ink tank.

- Prepare a new waste ink tank.

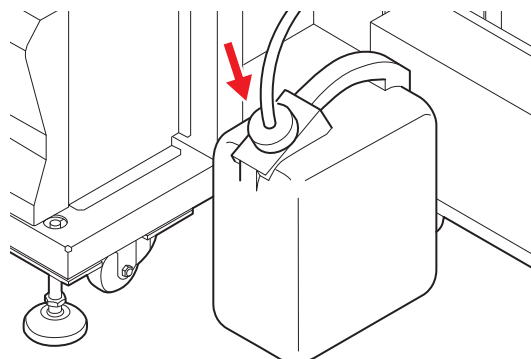


- Request the treatment of waste ink for an industrial waste disposal contractor.
- A part of the ingredients (photo polymerization initiator) has toxicity against aquatic organisms. Please prevent leakage flow to natural water systems (river, etc.) and domestic sewages (toilet, road, etc.)



3 Return the empty waste ink tank to the original position.

- Reinsert the tube pulled out.



4**Reset the waste ink counter.**

- (1) Press [SEL] key twice to display the (WASTE INK) to [FUNC2]
- (2) Press [FUNC2] (WASTE INK)
- (3) Press [FUNC2] (RESET)
- (4) Press [ENTER] key

For waste ink remaining management

In this machine informing the remaining amount of the waste ink tank (as a guide) on the display.

Amount of waste ink	
	0-9% of the waste ink has accumulated in the tank
	10-29% of the waste ink has accumulated in the tank
	30-49% of the waste ink has accumulated in the tank
	50-69% (NEAR FULL) Waste ink is nearly full. Recommend to discard as soon as possible.
	70%- (FULL) Waste ink tank is full. Dispose waste ink promptly.

For the operation limitation by the amount of waste ink

According to the amount of waste ink that has accumulated in the waste ink tank, there are items that will not be able to operate in this machine.






Discarding waste ink diligently is recommended.

Error Message	Operation restriction	Solution
	No	It can be used as they are, but waste ink tank would be immediately full. Dispose the waste ink as soon as possible. Dispose of waste ink according to regional laws and regulations.
	Following operations will not be activated. <ul style="list-style-type: none"> • Operation using ink • Print • Remote transition • If occurs during printing, transit to local after printing completion 	Replacing the waste ink tank referring to the manual Chapter 4 "Discarding waste ink" Then, please reset the waste ink tank. Dispose of waste ink according to regional laws and regulations.

Adjust the waste ink

Amount of waste ink that is displayed on the display is only a "guideline".
The amount may be different from the amount actually accumulated.

- 1 Press **SEL** key twice to display the (WASTE INK TANK) to [FUNC2]
- 2 Press **FUNC2** (WASTE INK TANK)
- 3 Press **▲▼** to adjust the amount of waste ink
 - Adjust to match the actual amount of waste ink.

	Set to 0%
	Set to 10%
	Set to 30%
	Set to 50%
	Set to 70%

- 4 Press **ENTER** key

Replacing consumables

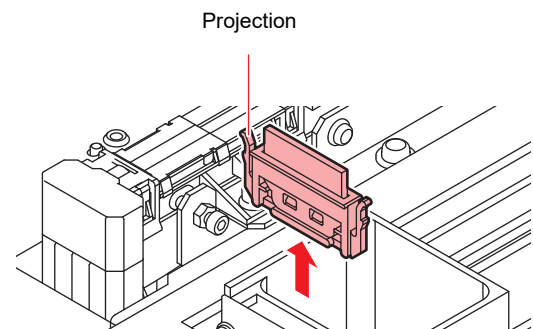
Replacing the wiper

The wiper is consumable. When the warning message "Replace a WIPER" is displayed, it is necessary to replace the wiper, immediately replace the wiper with a new one.

Also, wipe ink sticking to the lower surface of the wiper cleaner off.

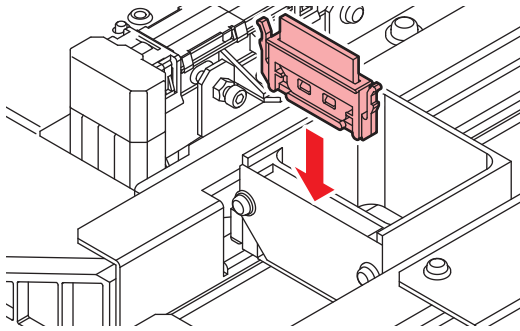
- Important!** • A cleaning wiper (SPA-0193) is an option. Buy one through the dealer in your region or at our service office.

- 1 Press the **FUNC2** (TEST PRINT/CLEANING) in Local.
 - 2 Press the **ENTER** key.
 - 3 Press **▲▼** to select "Station", and press the **ENTER** key.
 - 4 Press **▲▼** to select "Replace Wiper", and press the **ENTER** key.
 - 5 Press the **ENTER** key.
 - The carriage moves onto the platen.
 - The number of times when the wiper was used is reset.
- Important!** • Until the replacement work is completed, [COMPLETED] is displayed on the screen. After the work up to the Step 3 is completed and you close the right side maintenance cover, press the [ENTER] key.
- 6 Open the right maintenance cover then remove the wiper.
 - Pull out the wiper by holding the projections at its both ends.



7 Insert a new wiper.

- Insert a new wiper by holding its both ends.
- There is no direction to the wipers. They can be inserted with either side facing forward.



8 Close the right side maintenance cover and press the **ENTER** key.

- After its initial operation, the machine returns to Local.

Replacing the Mist Fan Filter (H fan filter)

Replace it once a month.

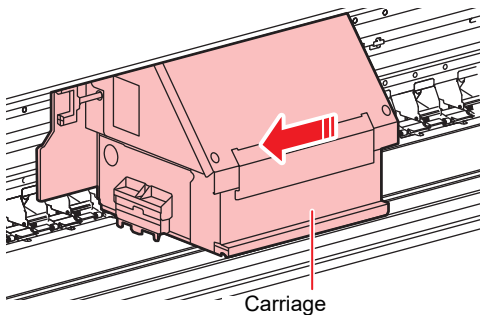
1 Press the **FUNC2** (TEST PRINT/CLEANING), and press the **ENTER** key in Local.

2 Press **▲ ▼** to select “Station”, and press the **ENTER** key.

- The Station MENU appears.

3 Press **▲ ▼** to select “CARRIAGE OUT”, and press the **ENTER** key twice.

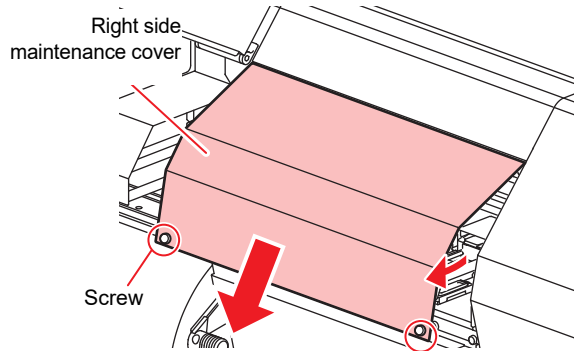
- The carriage moves onto the platen.



4 Open the right side maintenance cover.

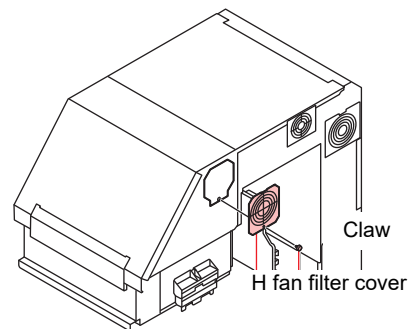
- (1) Rotate the screws under the right side maintenance cover (for two positions) to the left and remove them.
- (2) Hold the bottom of the right side maintenance cover and pull it to the front.
- (3) While pulling the right side maintenance cover downward, remove it.

- If the right side maintenance cover is hard to remove, use the supplied screwdriver.

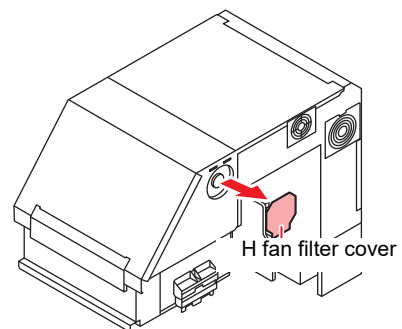


5 Remove the H fan filter cover at the right side of the carriage.

- Remove the screw on the H fan filter cover before removing the cover.

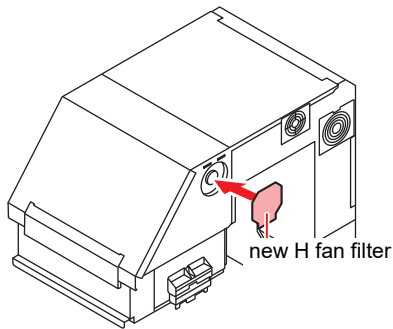


6 Remove the used H fan filter cover.



7 Mount a new H fan filter (SPC-0766).

- Align the hole in the H fan filter with the screw hole.

**8 Return the H fan filter cover to the original status.****9 Close the right side maintenance cover, and press the **ENTER** key.**

- Important!**
- Ink at printing adheres to the H fan filter ASSY. When replacing the filter, it is recommended to perform the work with a sheet of paper placed.

Replace the ink tank

To keep the ink in good quality in the ink tank, you need to replace the ink tank annually. When an appropriate warning message appears, be sure to replace tank in the following procedure:

- Important!**
- When this function is executed, the remaining charge of the selected ink becomes 0, and unused ink to be charged cannot be used. Be sure to use up the ink to be charged before executing the instant function.



- Be sure to wear the accompanying gloves and protective safety glasses before working. The ink may get in your eyes.

1 Press the **FUNC1 (MENU) in LOCAL.****2 Press **▲** **▼** to select [Maintenance], and press the **ENTER** key.****3 Press **▲** **▼** to select [Replace Ink Tank], and press the **ENTER** key.****4 Press **▲** **▼** to select a desired ink tank, and press the **ENTER** key.**

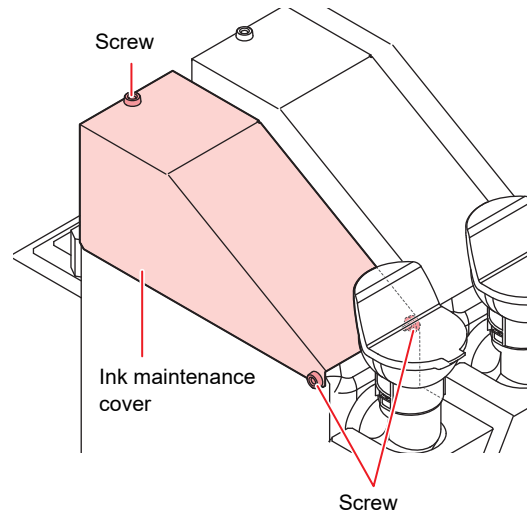
- The display shows a confirmation screen prompting to replace the ink tank and the type and the expiration date (year and month) of the ink contained in the ink tank to be replaced.

5 If there is no problem on the confirmation screen, press the **ENTER key.**

- This resets the ink charge information embedded in this machine.

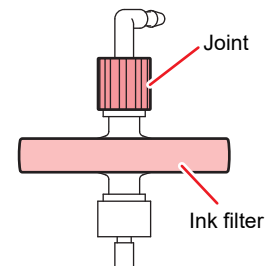
6 Remove the ink maintenance cover for the ink tank selected in step 4.

- Loosen the screws attached to the ink maintenance cover both sides, remove the screw that is attached to the top surface.

**7 Replace the ink tank.**

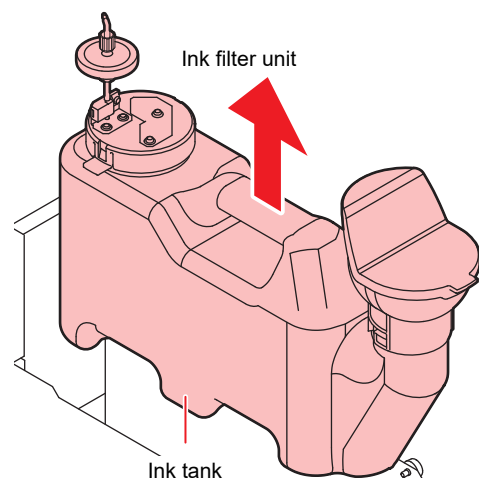
- Cover the surrounding area with waste cloth for protection against dirt before changing the ink tank.

- (1) Remove the ink filter attached to the ink tank.**
- Loosen the joints on the top of the ink filter, and remove the filter.



- (2) Remove the ink tank.**

- Take care not to tilt the ink tank greatly when removing the tank. It may cause ink leakage from the cap.



- (3) Set a new ink tank, and mount the ink filter.**
- Tighten the joints on the top of the ink filter.



- Do not tighten the joint too much. Otherwise, the filter might be damaged. Be careful.
- Do not pour the ink remaining in the removed ink tank into the new tank.
- Request that an industrial waste disposal company process the disposal ink.
- When the tube and cover are in contact, there are times when the amount of ink can not be accurately detected. So as not to contact to the utmost as shown in the figure below, please be careful for the direction of the joint.



8 Refer to “Fill ink in the ink tank and charging” on.

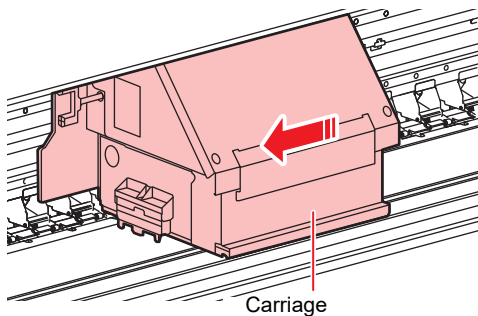
Replacing the cap absorber

Replace once a year or when ink is adhering to approximately 50% of absorber surface.

1 Press the **FUNC2** (TEST PRINT/CLEANING), and press the **ENTER** key in Local.

2 Press **▲▼** to select “Station”, and press the **ENTER** key.
• The Station MENU appears.

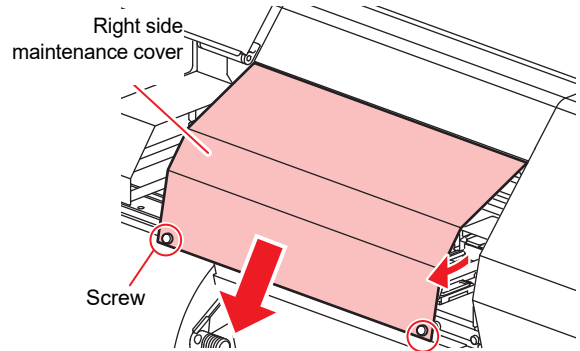
3 Press **▲▼** to select “CARRIAGE OUT”, and press the **ENTER** key twice.
• The carriage moves onto the platen.



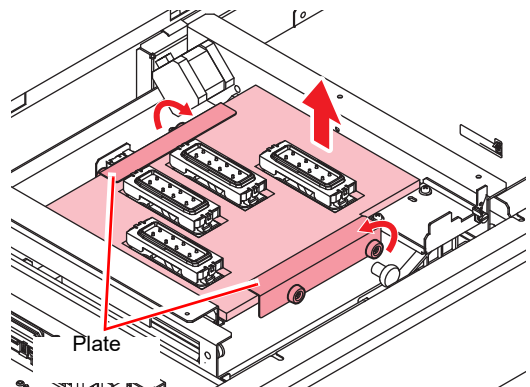
4 Open the right side maintenance cover.

- (1) Rotate the screws under the right side maintenance cover (for two positions) to the left and remove them.
- (2) Hold the bottom of the right side maintenance cover and pull it to the front.
- (3) While pulling the right side maintenance cover downward, remove it.

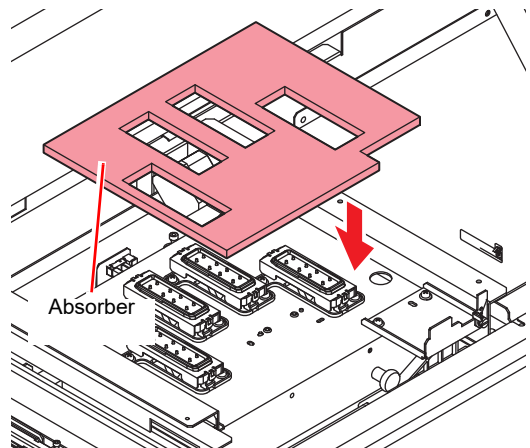
- If the right side maintenance cover is hard to remove, use the supplied screwdriver.



5 Remove the plates (front and rear) retaining the absorber.



6 Install a new absorber.



7 Tighten the screws while pressing in.

8 Close the right side maintenance cover, and press the **ENTER** key.

Chapter 5

Troubleshooting



This chapter

describes the corrective measures to be taken for a phenomenon suspected to be trouble and the procedures to clear the error number displayed on the LCD.

Troubleshooting	5-2
Power does not turn on	5-2
The machine does not start printing	5-2
Media get jammed / media is soiled	5-3
Image quality is poor	5-3
Nozzle is clogged	5-3
Ink tank warning appears	5-4
When the ink leakage occurs	5-4
If an error related to the Sub Tank occurs (Error 618 to 61b).....	5-4
If nozzle missing due to color mixture of ink or aeration.....	5-4
When media heaves up at feeding	5-6
Warning / Error Messages	5-7
Warning messages	5-7
Error messages	5-11

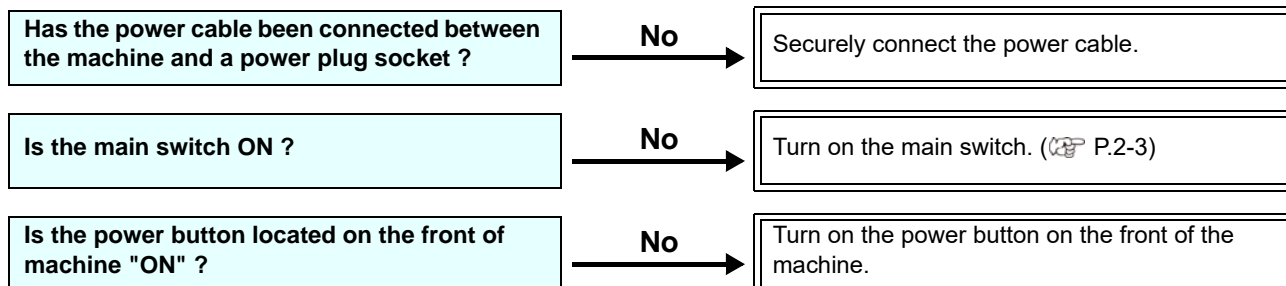
Troubleshooting

Take appropriate actions as described below before taking the trouble as a failure.

If still the problem is not solved after troubleshooting, contact your dealer or an office of MIMAKI.

Power does not turn on

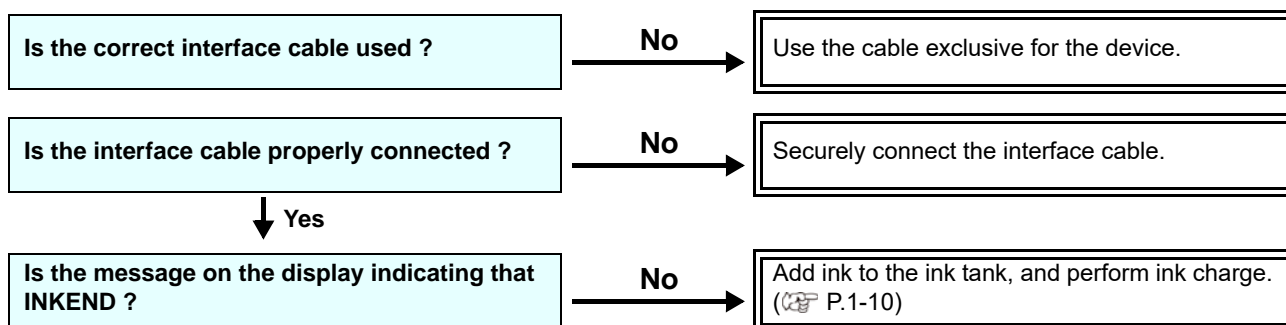
In most cases, this is due to improper connection of the power cable for the machine or computer. Check that the power cable is connected properly.



The machine does not start printing

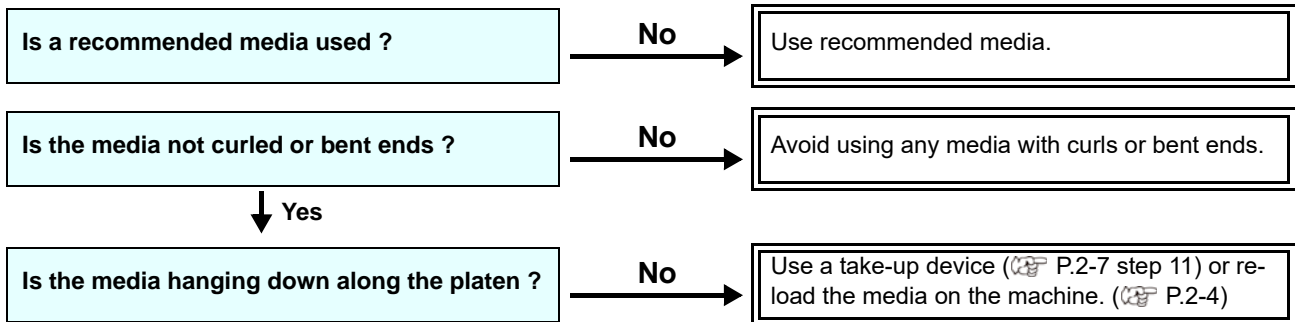
This occurs when the data is not being transmitted to the machine properly.

It can also occur when the printing function does not work properly or the media is not set correctly.



Media get jammed / media is soiled

Media jamming or stained media is considered to be due to the use of an unsuitable media or improper setting of media.



● If the media gets clogged, perform the work below:

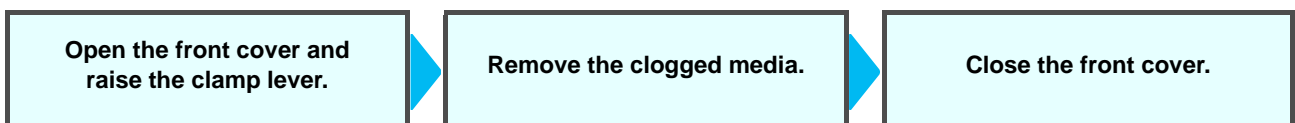


Image quality is poor

This section describes the corrective actions to be taken in case the image quality is not satisfactory.

Take remedy for particular problems with image quality. If the remedy does not work, contact your dealer or an office of MIMAKI.

Phenomenon	Measures
White lines / blur / dark stripes (in the direction of travel of the heads)	<ol style="list-style-type: none"> (1) Execute the head cleaning. (P.2-19) (2) Perform maintenance of the inside of the station. (P.4-7) (3) Execute the [MEDIA COMP.] function. (P.4-11) (4) If any pieces of paper or dust is attached on the path of the heads such as media press, remove it.
Characters are double- or triple-printed in the media feed direction	<ol style="list-style-type: none"> (1) Execute the [MEDIA COMP.] function. (P.2-20)
Disagreement in print positions between outward trip and homeward trip	<ol style="list-style-type: none"> (1) Execute the [DROP POSITION] function. (P.2-21)
Ink drops falling on media during printing	<ol style="list-style-type: none"> (1) Execute the wiper cleaning. (P.4-7) (2) Execute the ink cap cleaning. (P.4-7) (3) Clean around the head. (P.4-11) (4) Execute the head cleaning [Normal]. (P.2-19) (5) Set a shorter interval of Interval Wiping operation. (P.3-10)

Nozzle is clogged

When nozzle missing is not dissolved even after the head cleaning referring to P.2-19, make sure the following operations.

- Maintenance the sub tank by the operations of P.5-4
- Carry out air ventilation by the operations of P.5-4
- Wash the head nozzle by the operations of P.4-12.
- Recovery the nozzle by the operations of P.4-13.

Ink tank warning appears

If an ink tank trouble is detected, a warning message appears.

None of printing, cleaning and all the other operations that use ink is available. If an abnormality occurs, perform the following procedures:

- Check the ink amount in the ink tank and if the ink amount is not enough, add ink.

Important!

- Once ink tank trouble is displayed, do not leave the ink bottle without replacing it for a long time; otherwise, the machine will lose the nozzle missing prevention function.
If nozzles are clogged, the machine must be repaired by MIMAKI's service engineer.

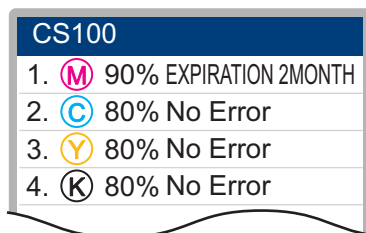
When the ink leakage occurs

In case of ink leakage, please turn off the main power, unplug the power cable and call for service to our service or dealer.

Displaying the description of ink bottle trouble

The contents of ink bottle error are confirmable by the following operations.

- 1 Press the **ENTER** key in Local.



If an error related to the Sub Tank occurs (Error 618 to 61b)

Errors 618 to 61b are errors related to sub-tanks. Execute when a sub-tank-related error occurs, or if nozzle clogging does not resolve in cleaning.

- 1 Press the **FUNC1** (MENU) in local mode.

- 2 Press **▲▼** to select "MAINTENANCE", then press the **ENTER** key

- Maintenance MENU appears.

- 3 Press **▲▼** to select "Sub-tank" and press the **ENTER** key

- 4 Press the **ENTER** key.

- Perform the ink discharge and filling operation in the sub-tank.
- When the filling into the sub-tank is completed, the air purge execution selection screen will be shown on the display.

- 5 Press **▲▼** to select the action and press the **ENTER** key.

- Select "Execute" to switch to the air purge menu.
- Select "Finish" to perform head cleaning.

If nozzle missing due to color mixture of ink or aeration

If nozzle missing occurs due to color mixture of ink in the head or aeration, push ink or air in the head out from the port.

Important!

- Ink may drop from the nozzle during air ventilation. An operator should not leave this machine during air ventilation.

- 1 Press the **FUNC1** (MENU) in Local.

- 2 Press **▲▼** to select "Maintenance", and press the **ENTER** key.

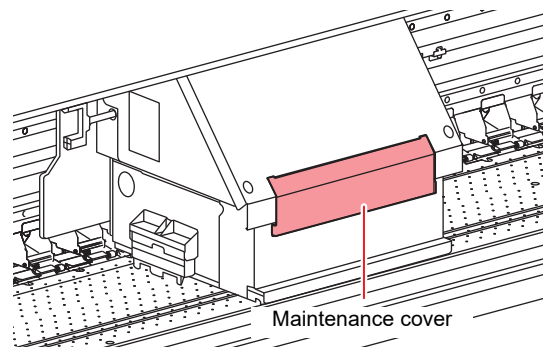
- Maintenance MENU appears.

- 3 Press **▲▼** to select "Air PG", and press the **ENTER** key.

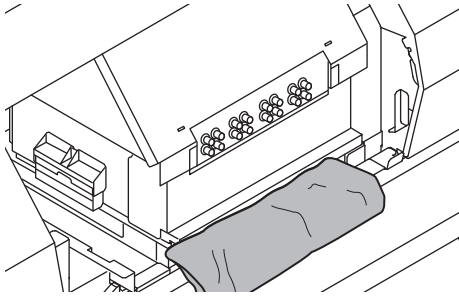
- The station moves downward to the empty absorption position.
- When it lowers to the empty absorption position, "Open Cover" is displayed on the screen.

- 4 Open the right lower maintenance cover.

- 5 Open the maintenance cover before the carriage.



- 6** Cover the rail part before the station with a waste cloth etc.



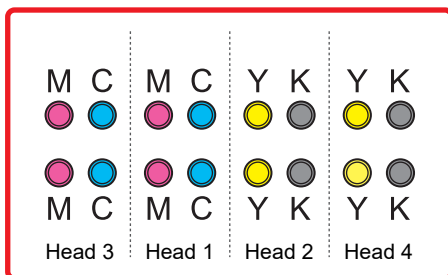
Important!

- Be sure to cover the rail part before performing the work. If ink drops on the rail part, ink will be hardened and it may cause the operation defect.

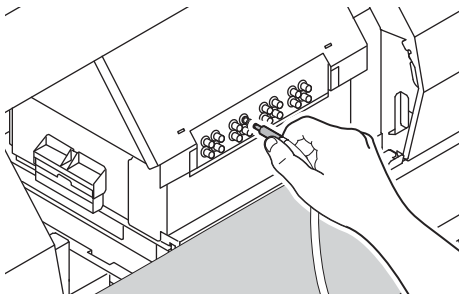
- 7** Press the **ENTER** key.

- 8** Press the **ENTER** key on the start confirmation screen.

- Micropositive pressure starts.



- 9** Remove the cap of the ink port and set the air purge jig.



Important!

- When the valve is hard to open, use the attached longnose pliers and open.
- Do not remove the caps of the ink ports corresponding to unselected channels; otherwise, air may be gotten inside the head, which can lead to nozzle missing.

- 10** Discharge ink or purge air from inkport.

- (1) Press [FUNC2](✓).

- Discharging of ink and air (positive pressure status) starts.
- In the positive pressure status, [PURGE] appears on the display.

- (2) When the discharging is completed, press [FUNC2](✓) to reduce the momentum of discharging (micropositive pressure status).

- Every time [FUNC2](✓) is pressed, the status switches between micropositive pressure and positive pressure.
- In the micropositive pressure status, [----] is displayed on the display.
- After 30 seconds remaining in positive pressure state, it automatically states micropositive pressure.

- 11** Make sure the display of “Please wait” is off from the display.

- 12** Remove the jig from the ink port, and cap the ink port.

- It is recommended to remove the jig in the micropositive pressure status to prevent ink from spouting.
- The machine supplies ink into the sub tank containing less ink. Wait for a while until the display changes.
- To continue work, follow the steps 10 and 11.

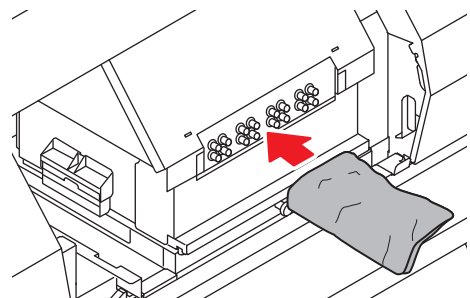
- 13** Press **▲** **▼** to select “RETRY” or “END”.

- To finish work, select “END”, press the A key, and proceed to step 16.
- To continue work, select “RETRY”, press the [ENTER] key, and follow the steps 8 through 14.

- 14** Wipe ink adhering to the ink port with a waste cloth and remove the waste cloth covering the rail.

Important!

- Wipe ink adhering to the ink port. Otherwise, it may cause the operation defect.



- 15** Close the maintenance cover before the carriage and the right lower maintenance cover of this machine. Then, press the **ENTER** key.

- Cleaning starts automatically. Wait for a while until cleaning has been completed.

- 16** Press **END/POWER** the key several times to end the setting.

When media heaves up at feeding

We call the status of heaving media at feeding “cockling”.

When media cockling occurs, check the following items:

Note/ checking items	Measures
Checking media set status	(1) Check that the media is set straight and reset it.
Adjusting heater temperature	(1) Upper pre-heaters' temperatures.
Media feeding	(1) For roll media, feed the media by about tens of centimeters to one meter. (2) For leaf media, press [▲][▼] and perform feed/ back feed.
Do not leave the media in the heater warming status	(1) Do not start printing with the media cockled because it may cause media jam.
Heighten the head	(1) For the thick media, make the head gap higher before printing.

Warning / Error Messages

If some trouble occurs, the buzzer sounds and the display shows a corresponding error message. Take an appropriate remedy for the displayed error.

Warning messages

Errors when performing operations

Message	Cause	Solution
ERROR 901 INVALID OPERATION	Operation error	<ul style="list-style-type: none"> Return to the LOCAL screen, check the error status, and take appropriate actions.
ERROR 902 DATA REMAIN	There remains received data that has not yet been printed.	<ul style="list-style-type: none"> Execute the data clear function. (P.2-22)
ERROR 90f PRINT AREA SHORT	The media is not wide or long enough for printing.	<ul style="list-style-type: none"> If the media width is decreased because the origin is moved, shift the origin to the right to increase the effective media width. Replace the media with one having enough width or length.

Errors when ink charging is performed

Message	Cause	Solution
INK IC Expiration CHARGE ANYWAY? NO < > YES	The expiration date for the inserted IC chip has passed.	<ul style="list-style-type: none"> Replace the IC chip with the IC chip of a new ink bottle. Select [YES] to continue to use the ink.
IC Expiration:1MONTH CHARGE ANYWAY? NO < > YES	The expiration date of the inserted IC chip has passed (one month has passed after the specified expiration date).	
IC Expiration:2MONTH CANNOT CHARGE	The expiration date of the inserted IC chip has passed (two months have passed after the specified expiration date).	<ul style="list-style-type: none"> Please insert the IC chip of the ink bottle within the expiration date. If an error occurs before the expiration date, please check the time of the machine.
WRONG INK IC CANNOT CHARGE	The IC chip cannot be read normally.	<ul style="list-style-type: none"> REMOVE the IC chip, and insert again. When displaying again, contact your sales office, or service center.
INK IC ALREADY USED CANNOT CHARGE	An IC chip that has already been charged was inserted.	<ul style="list-style-type: none"> Install the new IC chip.
INK TYPE CANNOT CHARGE	The type of ink on the inserted IC chip is different from the ink in the bottle.	<ul style="list-style-type: none"> check WHETHER the IC chip is supplied with the ink bottle. Make sure the ink type of ink bottle.
INK COLOR CANNOT CHARGE	The color of ink on the inserted IC chip is different from the ink in the bottle.	<ul style="list-style-type: none"> check WHETHER the IC chip is supplied with the ink bottle. Make sure the ink color of ink bottle.
Expiration CHARGE ANYWAY? NO < > YES	The ink has expired.	<ul style="list-style-type: none"> Replace with new ink or use up as soon as possible. It is possible to print.
Expiration:1MONTH CHARGE ANYWAY? NO < > YES	One month has passed since the ink expired.	
Expiration:2MONTH CANNOT CHARGE	Two months have passed since the ink expired.	

Message displayed in LOCAL

Message	Cause	Solution
INK ERROR	An ink error occurred.	<ul style="list-style-type: none"> Check the ink bottle for the supply path corresponding to the indicated color.
InkOverflow : MCYK	It was detected that the overflow of subtank.	<ul style="list-style-type: none"> Perform "SUBTANK" of the Maintenance menu. (☞ P.5-4) When displaying again, contact your local distributor, our sales office, or service center.
TANKlevelH : MCYK	The sub tank sensor High does not change though a certain amount of ink has been consumed.	
TANKlevelL : MCYK	The sub tank sensor Low does not change though a certain amount of ink has been consumed.	
SUPPLY INK : MCYK	Ink could not be supplied to the sub tank.	<ul style="list-style-type: none"> Perform "SUBTANK" of the Maintenance menu. (☞ P.5-4) Also check the remaining amount of ink in the ink bottle. (☞ P.1-10) When displaying again, contact your local distributor, our sales office, or service center.
SubtankSens : MCYK	Detected an abnormality of the liquid level sensor of the sub tank.	<ul style="list-style-type: none"> Turn off the power on the machine and turn it on after a while (☞ P.2-3). When displaying again, contact your local distributor, our sales office, or service center.
REPLACE INKTANK : MCYK_ _ _	Time to replace the ink tank of the displayed color (A certain period has passed since the start of use of the ink tank.)	<ul style="list-style-type: none"> Perform "Replace Ink Tank" (☞ P.4-21) of the Maintenance menu. The ink charge information is also reset. After replacing the ink tank, charge the new IC chip and refill ink. (☞ P.1-10)
INKTNK SENS : MCYK_ _ _	Detected an abnormality of the ink tank sensor.	<ul style="list-style-type: none"> Make sure the ink supply unit is connected to the machine. Check if any weight or load is taken on the ink tank. If the error is still displayed after this, contact our sales office, or service center.
Take-UP CoverOPEN	It was detected that the media take-up device's cover was open.	<ul style="list-style-type: none"> Close the take-up device's cover.
Take-UP WRONG	An abnormality occurred in the take-up status of the media take-up machine.	<ul style="list-style-type: none"> Check if the media setting is set to ROLL when the take-up device is not used. Check if the taking-up direction switch and the taking-up manual switch are set correctly. (☞ P.2-6, P.2-7) Check that the media is set on the media take-up machine correctly. Check if the media take-up paper core is running without load. Turn ON and OFF the manual switch, and raise the tension bar to a correct position. Feed the media in the jog operation in the direction reverse to that used at the time when the error occurred.
Take-UP LimitDETECT	The control limit sensor of the media take-up machine was detected.	<ul style="list-style-type: none"> Check if the media can be fed correctly in the jog operation. Lower the position of the tension bar at the take-up side. When displaying again, contact your local distributor, our sales office, or service center.
TAKE-UP ENC WRONG	An abnormality occurred in the take-up encoder.	<ul style="list-style-type: none"> Turn off the power on the machine and turn it on after a while (☞ P.2-3). When displaying again, contact your local distributor, our sales office, or service center.
Take-UP Connect	The take-up unit is not correctly connected.	
Take-UP Fuse Err	The take-up fuse is blown.	

Message	Cause	Solution
TAKE-UP TENSION-BAR	The media set check at the start of printing detected an abnormality of the take-up tension bar.	<ul style="list-style-type: none"> Check the media set condition and remove any cause of the problem. Check that the taking-up direction switch is set correctly. (☞ P.2-6)
Take-UP Voltage	An abnormality occurred in the take-up unit voltage.	<ul style="list-style-type: none"> Turn off the power on the machine and turn it on after a while (☞ P.2-3). When displaying again, contact your local distributor, our sales office, or service center.
Feeding CoverOPEN	It was detected that the media feeding device's cover was open.	<ul style="list-style-type: none"> Check the cover of the feeding unit. Even if you close the cover, if the same message is displayed, contact a distributor in your district, our office or our call center.
Feeding WRONG	An abnormality occurred in the feeding status of the media feeding machine.	<ul style="list-style-type: none"> Check if the media setting is set to ROLL when the feeding device is not used. Check if the taking-up direction switch and the feeding manual switch are set correctly. Check that the media is set on the media feeding machine correctly. Check if the media feeding paper core is running without load. Turn ON and OFF the manual switch, and raise the tension bar to a correct position. Feed the media in the jog operation in the direction reverse to that used at the time when the error occurred.
Feeding LimitDETECT	The control limit sensor of the media feeding machine was detected.	<ul style="list-style-type: none"> Check if the media can be fed correctly in the jog operation. Lower the position of the tension bar at the feeding side. When displaying again, contact your local distributor, our sales office, or service center.
FEEDING ENC WRONG	An abnormality occurred in the feeding encoder.	<ul style="list-style-type: none"> Turn off the power on the machine and turn it on after a while (☞ P.2-3). When displaying again, contact your local distributor, our sales office, or service center.
Feeding Connect	The feeding unit is not correctly connected.	
Feeding Fuse Err	The feeding fuse is blown.	
FEEDING TENSION-BAR	The media set check at the start of printing detected an abnormality of the feeding tension bar.	<ul style="list-style-type: none"> Check the media set condition and remove any cause of the problem. Check that the feeding direction switch is set correctly. (☞ P.2-6)
Feeding Voltage	An abnormality occurred in the feeding unit voltage.	<ul style="list-style-type: none"> Turn off the power on the machine and turn it on after a while (☞ P.2-3). When displaying again, contact your local distributor, our sales office, or service center.
REPLACE WIPER	Time to replace the wiper on the capping station (The number of times of wiping has reached a specified value.)	<ul style="list-style-type: none"> Perform [Replace Wiper] in [Station], and replace the wiper. (☞ P.4-19)
DATA REMAIN	Data was received.	<ul style="list-style-type: none"> Execute the data clear. (☞ P.2-22) Restart if the error message remains after the execution of the data clear.
MACHINE TEMP./H ****°C	The machine is hot.	<ul style="list-style-type: none"> Use cooling equipment to lower the room temperature to a specified range. Wait until the machine cools down. When displaying again, contact your local distributor, our sales office, or service center.
MACHINE TEMP./L ****°C	The machine is cold.	<ul style="list-style-type: none"> Use a heating system to raise the room temperature to a specified range. Wait until the machine warms up. When displaying again, contact your local distributor, our sales office, or service center.

Message	Cause	Solution
Please check the hight of Jam Sensor	The height of the jam sensor is not correct.	<ul style="list-style-type: none">• Match the height of the jam sensor to the appropriate height.
MEDIA JAM	Detected media jam.	<ul style="list-style-type: none">• Eliminate the media jam and press the [ENTER] key. If the problem can not be eliminated, contact y our sales office, or service center.
Cover Open	Detected cover open.	<ul style="list-style-type: none">• Check the cover (front cover, right side main-tenance cover, left side maintenance cover and back cover), close it if it is open, and press the [ENTER] key.

Error messages

When an error message is displayed, eliminate the error according to the chart below.
When displaying again, contact your local distributor, our sales office, or service center.

Message	Cause	Solution
ERROR 04 PARAM ROM	The PCB is defective.	<ul style="list-style-type: none"> • Turn off the power on the machine and turn it on after a while. • When displaying again, contact your local distributor, our sales office, or service center.
ERROR 108 HD CONNECT [1234]	Abnormal connection of the print head	
ERROR 108 HD THERMIS [1234]	Abnormal temperature of the print head	
ERROR 108 HD MEM EMP [1234]	The print head has been broken.	
ERROR 108 HD TYPE [1234]		
ERROR 128 HDC FIFO OVER	Control circuit board is defective.	
ERROR 128 HDC FIFO UNDER		
ERROR 128 BATTERY EXCHANGE	The battery life end of the internal clock is detected.	<ul style="list-style-type: none"> • Contact your local distributor to call for service.
ERROR 12a HDC SPEED [12]	Ink discharge control error	<ul style="list-style-type: none"> • Turn off the power on the machine and turn it on after a while. • When displaying again, contact your local distributor, our sales office, or service center.
ERROR 12b HEAD ROM WR	Head control error	
ERROR 12e HeadFaiId /HDC[**]	The print head has been broken.	
ERROR 130 HD DATA SEQ	Control circuit board is defective.	
ERROR 148 E-LOG SEQ		
ERROR 151 Main PCB V1R2	An error occurred in the main power.	
ERROR 152 Main PCB V2R5		
ERROR 153 Main PCB V3R3		
ERROR 154 Main PCB V05		
ERROR 155 Main PCB V36-1		
ERROR 157 Main PCB VTT		
ERROR 158 Main PCB V36-2		
ERROR 15f HEAD DRIVE HOT	The temperature abnormality of control circuit board has been detected.	
ERROR 16e Main PCB V3R3B	An error occurred in the main power.	
ERROR 171 NEW HEAD CONNECT	Connection of a new head was recognized.	
ERROR 186 HDC OVERFLOW [12]	Ink discharge control error	
ERROR 186 HDC UNDERFLOW [12]		

Message	Cause	Solution	
ERROR 187 HDC SLEW RATE [12]	Ink discharge control error	<ul style="list-style-type: none"> • Turn off the power on the machine and turn it on after a while. • When displaying again, contact your local distributor, our sales office, or service center. 	
ERROR 188 HDC MEMORY [12]			
ERROR 18a Main PCB V_CORE	An error occurred in the main power.		
ERROR 18b Main PCB V1R5B			
ERROR 18c Main PCB V12			
ERROR 18e FLS NOT COMP [12]	Ink discharge control error		
ERROR 18f OFFSET START [12]			
ERROR 18f OFFSET END [12]			
ERROR 19d HDC V36 [12]	Abnormal ink discharge voltage was detected.		
ERROR 201 COMMAND	Abnormal communication between PC and printer		<ul style="list-style-type: none"> • Check the USB cable connection. Use a USB cable conforming to the standard.
ERROR 202 PARAMETER			
ERROR 203 Ment Command			
ERROR 206 PRINTING MODE		<ul style="list-style-type: none"> • Check the USB cable connection. Use a USB cable conforming to the standard. • Check output conditions. 	
ERROR 304 USB INIT ERR	USB device error.	<ul style="list-style-type: none"> • Turn off the power on the machine and turn it on after a while. • When displaying again, contact your local distributor, our sales office, or service center. 	
ERROR 305 USB TIME OUT			
ERROR 306 USB GET DESC			
ERROR 401 MOTOR X	An excessive load was applied to the X motor.		
ERROR 402 MOTOR Y	An excessive load was applied to the Y motor.		
ERROR 403 X CURRENT	An error due to an excessive current of the X motor was detected.		
ERROR 404 Y CURRENT	An error due to an excessive current of the Y motor was detected.		
ERROR 41b ** NO MEDIA **	With no media loaded properly, the clamp moved down.		<ul style="list-style-type: none"> • Load media so that the media comes within the range of the media sensor.
ERROR 423 TAKE-UP TENSION-BAR	The media set check detected abnormality of the take-up tension bar at the start of printing.		<ul style="list-style-type: none"> • Check the media set condition, and remove any problem.
ERROR 424 FEEDING TENSION-BAR	The media set check detected abnormality of the feeding tension bar at the start of printing.		

Message	Cause	Solution
ERROR 425 Take-UP WRONG	An error occurred in the take-up status of the take-up unit.	<ul style="list-style-type: none"> • Check if the media setting is set to ROLL when the take-up device is not used. • Check if the taking-up direction switch and the taking-up manual switch are set correctly. • Check that the media can be taken up to the take-up unit. • Check if the media take-up paper core is running without load. • Turn ON and OFF the manual switch, and raise the tension bar to a correct position. • Feed the media in the jog operation in the direction reverse to that used at the time when the error occurred.
ERROR 426 Feeding WRONG	An error occurred in the take-up status of the feeding unit.	<ul style="list-style-type: none"> • Check if the media setting is set to ROLL when the feeding device is not used. • Check if the taking-up direction switch and the feeding manual switch are set correctly. • Check that the media can be taken up to the feeding unit. • Check if the media feeding paper core is running without load. • Turn ON and OFF the manual switch, and raise the tension bar to a correct position. • Feed the media in the jog operation in the direction reverse to that used at the time when the error occurred.
ERROR 427 Take-UP CoverOPEN	It was detected that the media take-up device's cover was open.	<ul style="list-style-type: none"> • Close the take-up device's cover.
ERROR 428 Feeding CoverOPEN	It was detected that the media feeding device's cover was open.	<ul style="list-style-type: none"> • Close the feeding device's cover.
ERROR 429 Take-UP LimitDETECT	The take-up limit was detected.	<ul style="list-style-type: none"> • Check if the media can be fed correctly in the jog operation. • Lower the position of the tension bar on the take-up side by using the manual switch.
ERROR 42a Feeding LimitDETECT	The feeding limit was detected.	<ul style="list-style-type: none"> • Check if the media can be fed correctly in the jog operation. • Lower the position of the tension bar on the feeding side by using the manual switch.
ERROR 432 Take-UP Connect	Take-up device connection destination error	<ul style="list-style-type: none"> • Turn off the power on the machine and turn it on after a while. • When displaying again, contact your local distributor, our sales office, or service center.
ERROR 433 Feeding Connect	Feeding device connection destination error	
ERROR 436 Take-UP Fuse Err	Take-up fuse blown	
ERROR 437 Feeding Fuse Err	Feeding fuse blown	
ERROR 442 Take-UP Voltage	An abnormality occurred in the take-up unit voltage.	
ERROR 443 Feeding Voltage	An abnormality occurred in the feeding unit voltage.	
ERROR 44d STATION POS ERROR	Abnormal station position	
ERROR 46b TAKE-UP ENC WRONG	An error occurred in the take-up device.	
ERROR 46c FEEDING ENC WRONG	An error occurred in the feeding device.	
ERROR 50a Y ORIGIN	Y-origin could not be detected.	

Message	Cause	Solution
ERROR 50c MEDIA WIDTH SENSOR	The media width has not been detected correctly.	<ul style="list-style-type: none"> Check the media set position. Clean the media sensor. (☞ P.4-4)
ERROR 50f L-SCALE BLACK	Abnormal linear scale.	<ul style="list-style-type: none"> Turn off the power on the machine and turn it on after a while. When displaying again, contact your local distributor, our sales office, or service center.
ERROR 516 MEDIA SET POSITION R	The media is set outside the proper area.	<ul style="list-style-type: none"> Check the media set position.
ERROR 516 MEDIA SET POSITION L		
ERROR 531 INKTNK SENS : MCYK_ _ _	Detected an abnormality of the ink tank sensor.	<ul style="list-style-type: none"> Make sure the ink supply unit is connected to the machine. Check if any weight or load is taken on the ink tank. When displaying again, contact your local distributor, our sales office, or service center.
ERROR538 CHECK MEDIA SET POS.	The media is not set in the correct position.	<ul style="list-style-type: none"> Check the media set position.
ERROR 607 CAP CLEANING	Time to clean the cap	<ul style="list-style-type: none"> Clean the cap. (☞ P.4-7)
ERROR 617 SubtankSens : 1234	Detected an abnormality of the liquid level sensor of the sub tank.	<ul style="list-style-type: none"> Turn off the power on the machine and turn it on after a while. When displaying again, contact your local distributor, our sales office, or service center.
ERROR 618 TANKlevelH : 1234	The sub tank sensor High does not change though a certain amount of ink has been consumed.	<ul style="list-style-type: none"> Perform "SUBTANK" of the Maintenance menu. (☞ P.5-4) Even if you perform, it may be displayed, contact your local distributor, our sales office, or service center.
ERROR 619 TANKlevelH : 1234	The sub tank sensor Low does not change though a certain amount of ink has been consumed.	
ERROR 61a InkOverflow : 1234	It was detected that the overflow of subtank.	
ERROR 61b SUPPLY INK : 1234	Ink could not be supplied to the subtank.	<ul style="list-style-type: none"> Perform "SUBTANK" of the Maintenance menu. (☞ P.5-4) Also make sure the ink remaining in the ink bottle. (☞ P.1-10) Even if you perform, it may be displayed, contact your local distributor, our sales office, or service center.
ERROR 702 THERMISTOR	The thermistor sensor of a heater is defective.	<ul style="list-style-type: none"> Turn off the power on the machine and turn it on after a while. When displaying again, contact your local distributor, our sales office, or service center.
ERROR 703 ! PRE HEATER BRK	A pre-heater is disconnected.	
ERROR 703 ! PRINT HEATER BRK		
ERROR 703 ! POST HEATER BRK		

SYSTEM HALT

Message	Solution
SYSTEM HALT (*) 000 :MESSAGE	<p>Turn off the power on the machine and turn it on after a while.</p> <p>If the same error message appears, contact our service desk or your local distributor to call for service.</p> <p>("000" is the error No.)</p>

Chapter 6

Appendix



This chapter

contains the lists of the specifications and functions of this machine.

Specifications	6-2
Machine specifications	6-2
Ink specifications	6-3
Supply item list	6-3
Setting orders of ink tanks	6-4
Sheet for inquiry	6-5

Specifications

Machine specifications

Item		Specifications
Print head	Method	Drop-on-demand piezoelectric print heads
	Specification	4 heads: 2-layered staggered arrangement in 2-line
Drawing mode (scan x feed)	Single-layer	tarpaulins 300x600:Bi/Uni 2/ 4/ 6 pass (only normal mode) 450x600:Bi/Uni 2/ 4/ 6 pass (only normal mode) 300x900:Bi/Uni 3/ 6/ 8/ 12 pass (only normal mode)
		PVC film/ 600x600:Bi/Uni 4/ 8/ 12/ 16/ pass 600x900:Bi/Uni 6/ 12/ 16/ 24 pass 900x1200:Bi/Uni 8/ 16/ 24/ 32 pass
Usable inks		CS100 ink (M,C,Y,K) / CS200 ink (M,C,Y,K)
Ink supply		Supplying 3L x 4 bottles
Capacity of ink tank		3L-bottle x 1 for each color
Media type		PVC film/ tarpaulins
Max. printing width		3200mm (126.0 in)
Roll Media size	Maximum	3250mm (1524 mm each when twin rolls are set. 1620 mm when roll holders are used.) (128.0in (60.0in each when twin rolls are set. 63.8in when roll holders are used.))
	Minimum	210mm (8.3in)
	Thickness	1mm (0.04in) or less
	Roll outside diameter	When using take-up unit and feeding unit:Φ250mm (Φ9.8in) or less When using the roll holder:Φ180mm (Φ7in) or less
	Roll weight *1	When using feeding unit:100kg (220.5lb) or less When using roll holder:25kg (39.7lb) or less
	Roll inside diameter	When using take-up unit and feeding unit:3 inches When using roll holder:2 or 3 inches
	Printing surface	Regardless of inside and outside
	Roll end treatment	The roll end is gently fixed to the core with weak-adhesive tape or weak glue for easy removal.
Leaf media size	Maximum	3250mm (128.0in)
	Minimum	210mm (8.3in)
Margin	Leaf media	Left end and right end : 15 mm (Default) Front : 1400 mm Rear : 1300 mm (Left end and right end : 0.6in (Default) Front : 55.1in Rear : 51.2in)
	Roll media	Left end and right end : 15 mm (Default) Front : 1600 mm Rear : 1300 mm (Left end and right end : 0.6in (Default) Front : 63.0in Rear : 51.2in)
Distance accuracy	Reproducibility	Whichever the larger one of ± 1.5 mm (0.06in) or ± 0.3 % of the designated*2 *3 *4
Perpendicularity		± 0.5 mm (0.02in) / 1000 mm (39.4in)*1 *2
Media skew		5 mm (0.2in) or less / 10 m (393.7in) variable*1 *2
Head height adjustment		1.7, 1.9, 2.6, 3.3 mm (0.070,0.074, 0.10, 0.13in)
Media delivery		Take-up device supplied as a standard accessory (switching possible between face in and face out *5).
Waste ink tank		Tank type (10 liter)
Interface		USB 2.0, Ethernet
Command		MRL V
Noise *6	during standby	Less than 58 dB (FAST-A, Front & Rear & Left & Right 1 m)
	during continuous printing	Less than 65 dB
	during discontinuous printing	Less than 70 dB
Power		AC200 - 240 $\pm 10\%$, 50/60Hz ± 1 Hz , 29A or less

Item		Specifications
Power consumption		6.9KW or less
Recommended Environment	Available temp.	20 °C to 30 °C (68°F to 86°F)
	Humidity	35 to 65% Rh (No condensation)
	Guaranteed temp.	20 °C to 25 °C (68°F to 77°F)
	Temperature change	± 10 °C / h or less
	Dust	0.15mg/m ³ (Equivalent to normal office level)
Weight	Printer main unit	910 kg (2006.0 lb)
Outside dimensions	Printer main unit	5410 mm(W) x 995 mm(D) x 1440mm(H) (213.0in(W) x 39.2in(D) x 56.7in(H))

- *1. Without deflection of the roll when it is retained at both ends.
- *2. The expansion and/or contraction of media is excluded.
- *3. The initial meandering of the media which is just set is excluded.
- *4. Only if all the following conditions are met:
The media is set in the center of the machine.
The Logical Seek is set to Quality.
When roll holders are used, printing is started on a roll having no deflection.
The take-up device is used.
One roll media is used (except for twin rolls).
- *5. "Involved" for the media take-up direction is recommended.
- *6. 65.1dB(A), Operating Condition: Full load Measuring Method: According to clause 1.7.4.2 of Machinery Directive 2006/42/EC

Ink specifications

Item		Specifications
Supply		2L Ink bottle
Color		Black ink Cyan ink Magenta ink Yellow ink
Ink capacity		2 liter
Shelf life		The period is printed on the ink bottle. Within three months after opening the package even in the available period.
Storage temperature	Storage	5 to 30°C (41 to 86°F)
	Transportation	1 to 60°C (Storage at temperature of 60°C (140°F) is only permitted within 120 hours, and at temperature of 40°C (104°F) is permitted within a month.)



- Do not disassemble the ink bottle.
- Ink could freeze if kept in a cold place for an extended period.
- If the ink freezes, thaw it at room temperature (25°C) spending more than three hours before use. However, when you use the frozen ink, the printing quality becomes degraded due to altered ink. Store ink in the environment where ink may not freeze.

Supply item list

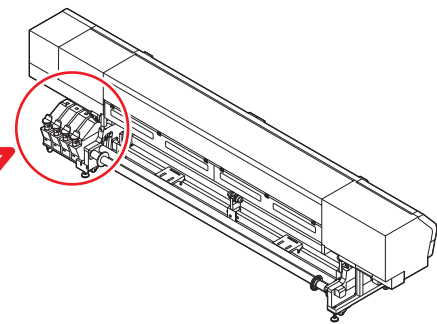
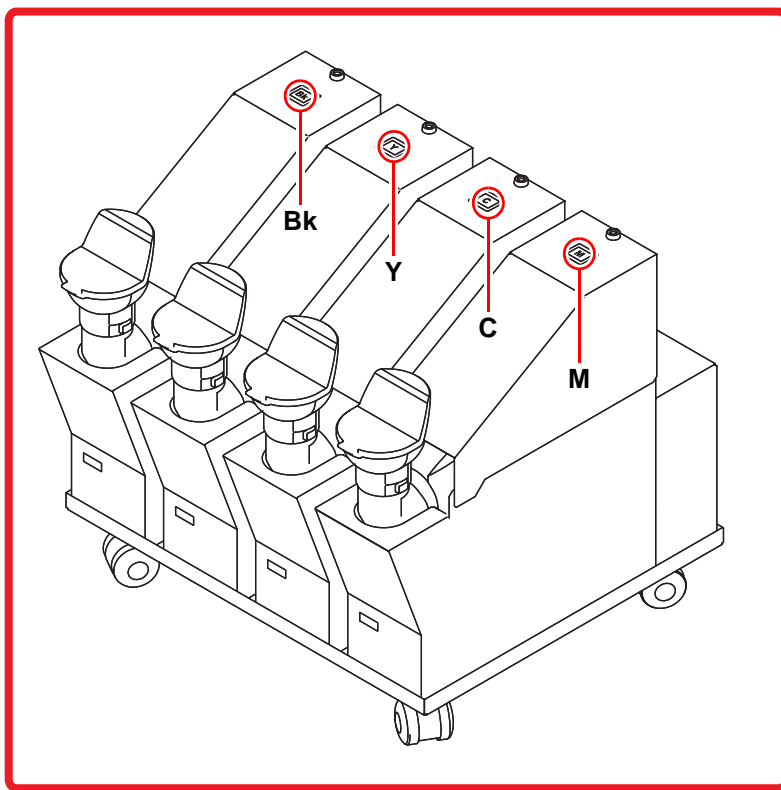
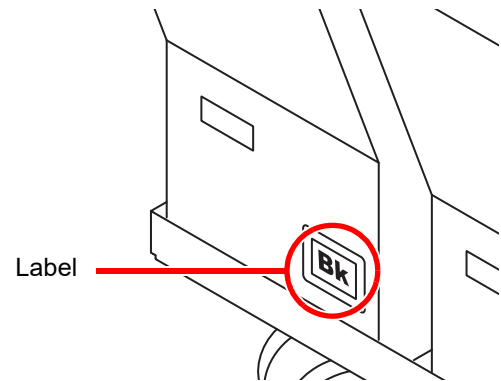
Name of part	Part codes
CS100-C-BB	Solvent ink CS100 Cyan ink (2L bottle)
CS100-M-BB	Solvent ink CS100 Magenta ink (2L bottle)
CS100-Y-BB	Solvent ink CS100 Yellow ink (2L bottle)
CS100-K-BB	Solvent ink CS100 Black ink (2L bottle)
CS200-C-BB	Solvent ink CS200 Cyan ink (2L bottle)
CS200-M-BB	Solvent ink CS200 Magenta ink (2L bottle)
CS200-Y-BB	Solvent ink CS200 Yellow ink (2L bottle)
CS200-K-BB	Solvent ink CS100 Black ink (2L bottle)
CS100-C-BJ	Solvent ink CS100 Cyan ink (10L bottle)
CS100-M-BJ	Solvent ink CS100 Magenta ink (10L bottle)
CS100-Y-BJ	Solvent ink CS100 Yellow ink (10L bottle)
CS100-K-BJ	Solvent ink CS100 Black ink (10L bottle)
SPC-0766	H Fan Filter
SPC-0527	Clean stick (for head periphery, 50pcs)
SPA-0193	Wiper rubber exchange kit
SPA-0263	Cap ink absorber kit
SPC-0369	Cleaning solution kit200
SPC-0769	Air removal jig Replacement tube

Setting orders of ink tanks

The setting value and the setting orders of the ink tanks differ depending on the ink type you use.



- Refill the ink matching the label.
Do not refill the ink different in color from the label.



Sheet for inquiry

Use this sheet for troubles and abnormal functions of the machine.
Fill in the following necessary items, and fax the sheet to our sales office.

Company name	
Person in charge	
Telephone number	
machine model	
Operating OS	
Machine information ^{*1}	
Error message	
Contents of inquiry	

*1. Refer to "Confirming Machine information" of "About Information MENU" then fill in necessary information. (☞ P.3-21)

SWJ-320EA Operation Manual

December, 2020

MIMAKI ENGINEERING CO.,LTD.

2182-3 Shigeno-otsu, Tomi-shi, Nagano 389-0512 JAPAN

D203278-13-03122020

