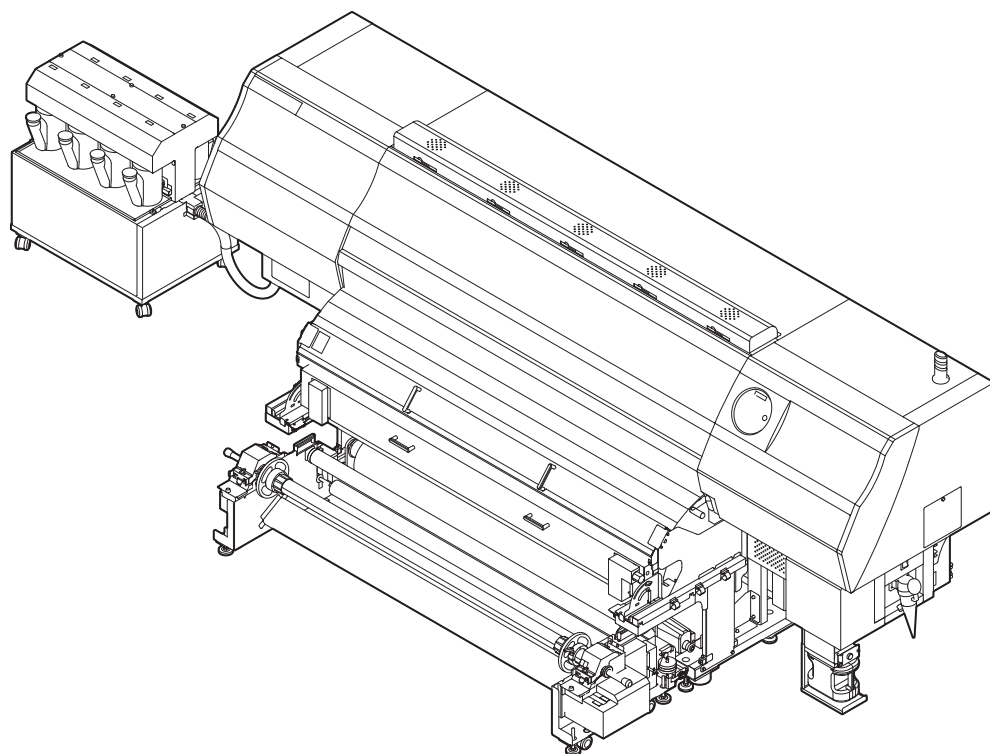


OPERATION MANUAL

COLOR INKJET PRINTER

UJV500-160

OPERATION MANUAL



MIMAKI ENGINEERING CO., LTD.

<https://mimaki.com/>

D202486-18

Original instructions

TABLE OF CONTENTS

CAUTION	v
DISCLAIMER OF WARRANTY	v
Requests	v
FCC Statement (USA)	v
Interference to televisions and radios	v
Foreword	vi
About usable ink	vi
On This Operation manual	vi
Safety Precautions	vii
Symbols	vii
Safety interlock	xiii

Chapter 1 Before Use

About installing this machine	1-2
Where to Install This Machine	1-2
Working Environmental Temperature	1-2
About fixing machine	1-3
Moving This Machine	1-3
Names of Parts and Functions	1-4
Front Side of the Machine	1-4
Rear Side and Right Side of the Machine	1-5
Operation Panel	1-6
Heater	1-7
Media sensor	1-7
Carriage	1-8
Cutter unit and slot for cutting	1-8
Indicator	1-8
Capping station	1-9
Pinch rollers and Feed rollers	1-9
Connecting Cables	1-10
Connecting USB2.0 Interface Cable	1-10
Connecting Power Supply Cable	1-11
Fill ink	1-12
About ink disposal	1-18
Caution in handling of ink bottles	1-19
Media	1-20
Usable sizes of media	1-20
Caution in handling of medias	1-20

Chapter 2 Basic Operations

Workflow	2-2
Turning the Power ON/OFF	2-3
Turning the Power ON	2-3
Turning the Power OFF	2-4
Setting a Media	2-5
Setting the Head Gap	2-5
Note for media setting	2-6
Setting a roll media	2-7
Setting leaf media	2-25
Changing the printing origin	2-27

Preparing for the Heaters	2-28
Changing the Temperature Settings for the Heaters	2-28
Checking the Heater Temperature	2-28
Test Feeding	2-29
Test Printing	2-30
Test Printing	2-31
Head Cleaning	2-32
About head cleaning	2-32
Perform head cleaning depending on the test printing result	2-32
Set the media feeding	2-34
Setting Feed Correction	2-34
Correct the ink drop position for bidirectional printing	2-36
Printing Data	2-38
Starting a Printing Operation	2-38
Stopping a printing operation halfway	2-39
Deleting Received Data (Data Clear)	2-39
Behavior after printing has been completed	2-39
Cutting a media	2-41

Chapter 3 Extended Functions

List of Functions	3-2
Setting Heater	3-4
Setting Logical Seek	3-5
Setting Margins	3-6
Setting UV mode	3-7
Adjusting the intensity set in RIP	3-7
Printing at the intensity set in the printer	3-8
Perform setting to reduce stripes between passes	3-13
What is the MAPS Function?	3-13
Setting MAPS1 Function	3-14
Setting MAPS2 Function (4 color)	3-15
Setting Auto Cleaning	3-18
Setting nozzle face cleaning time	3-19
Other Settings	3-20
Machine Settings	3-21
Setting a AUTO Power-off	3-23
Setting the feeding and take up	3-24
Setting the Display of Media Residual	3-25
Setting Time	3-27
Setting Units	3-28
Setting a KEY BUZZER	3-29
Setting a LANGUAGE	3-30
Setting a MEDIA DETECT	3-31
Setting a DRYING FEED	3-32
Setting the amount of blank space between printed lines	3-33
Set the network	3-34
Setting event mail function	3-36
Setting the Setting Lock function	3-46
Charging ink	3-48

Initializing the Settings	3-50
Confirming Machine Information	3-51
Check the using status of the machine	3-51
Check the machine version information	3-52
Displaying the Information of this machine	3-53

Chapter 4 Maintenance

Maintenance	4-2
Precautions for Maintenance	4-2
About Cleaning Solution	4-2
Cleaning the Exterior Surfaces	4-3
Cleaning the Platen	4-3
Cleaning of post heater cover and pre heater cover	4-4
Cleaning the Media Sensor	4-4
Cleaning the Media Press	4-5
Maintaining the Capping Station	4-6
Cleaning the Wiper and Cap	4-6
Washing the Ink Discharge Passage (DISWAY WASH)	4-10
When the Machine Is Not Used for a Long Time (CUSTODY WASH)	4-11
Cleaning the Head and the Area around It	4-14
When Nozzle Clogging Cannot Be Solved	4-17
Washing of Head nozzle	4-17
Fill from the sub-tank to the head with ink	4-19
If nozzle missing due to color mixture of ink or aeration	4-20
Alternative nozzles for printing, when nozzles missing can not be improved	4-23
Automatic Maintenance Function	4-27
Setting the Refreshing Intervals	4-27
Setting the Cleaning Intervals	4-28
About white ink circulation function	4-28
Cleaning Y motor	4-29
Discarding waste ink	4-30
If a Waste Ink Tank Confirmation Message Appears	4-30
Replacing consumables	4-32
Replacing the wiper	4-32
Replacing the Cutter Blade	4-33
About time to replace lamp	4-35
Replacing ink absorption material	4-37
Replacing the carriage filter	4-39
Replacing the mist filter	4-41
Replacing the air cleaning filter	4-43
Refilling antifreeze mixed water	4-45
Refill antifreeze mixed water	4-46

Chapter 5 Troubleshooting

Troubleshooting	5-2
Power does not turn on	5-2
The machine does not start printing	5-2
Media get jammed / media is soiled	5-3

[HEAT] or [CONSTANT] LED does not light up	5-3
Image quality is poor	5-4
Nozzle is clogged	5-4
Ink bottle warning appears	5-5
If an error related to the sub tank occurs (Error 618 to 61b)	5-6
If negative pressure abnormality occurs	5-7
When media heaves up at feeding	5-9
Warning / Error Messages	5-10
Warning messages	5-10
Error messages	5-15

Chapter 6 Appendix

Specifications	6-2
Machine specifications	6-2
Ink specifications	6-3
Supply item list	6-4
Setting orders depending on ink type	6-5
Setting orders of ink bottles	6-5
Warning labels	6-6
Sheet for inquiry	6-8
Function Flowchart	6-10

DISCLAIMER OF WARRANTY

THIS LIMITED WARRANTY OF MIMAKI SHALL BE THE SOLE AND EXCLUSIVE WARRANTY AND IS IN LIEU OF ALL OTHER WARRANTIES, EXPRESS OR IMPLIED, INCLUDING, BUT NOT LIMITED TO, ANY IMPLIED WARRANTY OF MERCHANTABILITY OR FITNESS, AND MIMAKI NEITHER ASSUMES NOR AUTHORIZES DEALER TO ASSUME FOR IT ANY OTHER OBLIGATION OR LIABILITY OR MAKE ANY OTHER WARRANTY OR MAKE ANY OTHER WARRANTY IN CONNECTION WITH ANY PRODUCT WITHOUT MIMAKI'S PRIOR WRITTEN CONSENT.

IN NO EVENT SHALL MIMAKI BE LIABLE FOR SPECIAL, INCIDENTAL OR CONSEQUENTIAL DAMAGES OR FOR LOSS OF PROFITS OF DEALER OR CUSTOMERS OF ANY PRODUCT.

Requests

- This Operation manual has been carefully prepared for your easy understanding. However, please do not hesitate to contact a distributor in your district or our office if you have any inquiry.
- Description contained in this Operation manual are subject to change without notice for improvement.

FCC Statement (USA)

This equipment has been tested and found to comply with the limits for a Class A digital device, pursuant to Part 15 of the FCC Rules. These limits are designed to provide reasonable protection against harmful interference when the equipment is operated in a commercial environment. This equipment generates, uses and can radiate radio frequency energy and, if not installed and used in accordance with the Operation manual, may cause harmful interference to radio communications.

Operation of this equipment in a residential area is likely to cause harmful interference in which case the user will be required to correct the interference at his own expense.

In the case where MIMAKI-recommended cable is not used for connection of this machine, limits provided by FCC rules can be exceeded.

To prevent this, use of MIMAKI-recommended cable is essential for the connection of this printer.

Interference to televisions and radios

The product described in this manual generates high frequency when operating.

The product can interfere with radios and televisions if set up or commissioned under improper conditions.

The product is not guaranteed against any damage to specific-purpose radio and televisions.

The product's interference with your radio or television will be checked by turning on/off the power button of the product.

In the event that the product is the cause of interference, try to eliminate it by taking one of the following corrective measures or taking some of them in combination.

- Change the orientation of the antenna of the television set or radio to find a position without reception difficulty.
- Separate the television set or radio from this product.
- Plug the power cord of this product into an outlet which is isolated from power circuits connected to the television set or radio.

Foreword

Congratulations on your purchase of MIMAKI color ink jet printer "UJV500-160" .
"UJV500-160" is a color inkjet printer that can print with UV ink realizing high speed and high image quality.

About usable ink

Usable ink for this machine is UV ink (four-color / four-color + white model).

- 4-colors version : 2 each of Cyan, Magenta, Yellow and Black color ink bottle are use.
- 4-colors + white version : 2 each of Cyan/ Magenta/ White and 1 each of Yellow/ Black color ink bottle are used.

On This Operation manual

- This Operation manual is describing the operations and maintenance of "Color inkjet printer UJV500 Series" (called as this machine hereafter)
- UJV500-160 are identical with models SGPR831-160.
- Read this Operation manual carefully and understand them thoroughly to use.
- It is also necessary to keep this Operation manual on hand.
- This Operation manual has been carefully prepared for your easy understanding, however, please do not hesitate to contact a distributor in your district or our office if you have any inquiry.
- Descriptions contained in this Operation manual are subject to change without any notice for improvement.
- You can also download the latest manual from our website.














Reproduction of this manual is strictly prohibited.
All Rights Reserved. Copyright
© 2015 MIMAKI ENGINEERING Co., Ltd.

Safety Precautions

Symbols

Symbols are used in this Operation Manual for safe operation and for prevention of damage to the machine. The indicated sign is different depending on the content of caution. Symbols and their meanings are given below. Please follow these instructions as you read this manual.

Examples of symbols

Meaning	
	Failure to observe the instructions given with this symbol can result in death or serious injuries to personnel. Be sure to read it carefully and use it properly.
	Failure to observe the instructions given with this symbol can result in injuries to personnel or damage to property.
	Important notes in use of this machine are given with this symbol. Understand the notes thoroughly to operate the machine properly.
	Useful information is given with this symbol. Refer to the information to operate the machine properly.
	Indicates the reference page for related contents.
	The symbol "  " indicates that the instructions must be observed as strictly as the CAUTION instructions (including DANGER and WARNING instructions). A sign representing a precaution (the sign shown at left warns of hazardous voltage) is shown in the triangle.
	The symbol "  " indicates that it is the forbidden action. If there is a concrete instruction, it is indicated in or around the symbol "  ".
	The symbol "  " indicates that the action is forced to be done or the instruction must be observed. If there is a concrete instruction, it is indicated in the symbol "  ".

Warning for Use



WARNING



- Do not use the machine in a poorly ventilated room or a closed room.
- Take care not to damage, break or work upon the power cable. If a heavy material is placed on the power cable, or if it is heated or pulled, the power cable can break, thus resulting in fire or electric shocks.
- Avoid locating the machine in a damp environment. Do not splash water onto the machine. Use in such an environment can give rise to fire, electric shocks or breakdown of the machine.
- Use it with the displayed power supply specifications. The power-supply voltage of this machine shall be single-phase 200 to 240 Vac 30 A and less. (You cannot use this machine in the 100V system.)
- Use of the machine under an abnormal condition where it produces smoke or strange smell can result in fire or electric shocks. If such an abnormality is found, be sure to turn off the power button immediately and unplug the cable from the wall outlet. Check first that the machine no longer produces smoke, and then contact your distributor or a sales office of MIMAKI for repair. Never repair your machine and ink bottle by yourself since it is very dangerous for you to do so.
- Never disassemble or remodel the main unit of the machine or the ink bottle. Disassembly or remodeling can result in an electric shock or breakdown of the machine.
- Take care that no dust or dirt sticks to platen heaters. Dust and dirt sticking heaters can cause fire.
- Do not place your fingers or other parts of body close to dangerous moving parts.
- If ink leaks, turn off the main power switch, disconnect the power plug, and contact your local distributor, our sales office, or call center.
- Keep children away from this machine.



- The main power circuit breaker should be set ON only by personnel with sufficient knowledge about operations of this unit.
- Do not touch the LED UV unit and Post cure unit on or right after the lamp off with bare hands to avoid from burn injury.

Handling the Anti-freezing liquid



- Use the exclusive Anti-freezing liquid by Mimaki, or the LED UV cooling device may be damaged.
- If the Anti-freezing liquid or mixed soft water with anti-freezing liquid gets on the skin or clothes, immediately wash it off with soap. If you get the Anti-freezing liquid or mixed soft water with anti-freezing liquid in your eyes, immediately wash your eyes with a lot of clean water. Then, consult a doctor as soon as possible. If high temperature Anti-freezing liquid or mixed soft water with anti-freezing liquid gets on the skin, immediately wash it off with soap and cool with iced water. Then, consult a doctor as soon as possible.
- Before using the Anti-freezing liquid, be sure to read the Safety Data Sheet (SDS).
- If you swallowed the Anti-freezing liquid or mixed soft water with antifreezing liquid accidentally, try to get to vomit, and then consult a doctor as soon as possible.
- When unused the Anti-freezing liquid or used mixed soft water with anti-freezing liquid should discard as followings,
 - Incinerating the fluid which is absorbed to the sawdust or waste cloth.
 - Entrust them to an industrial waste disposal contractor, clarifying their contents.
- Avoid ignition such as static electricity and impact spark.
- Be sure to wear safety glasses and gloves for handling the Anti-freezing liquid.





WARNING

Handling of LED UV unit and Post cure unit




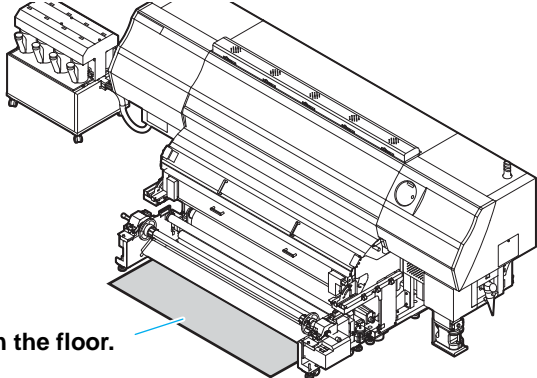
- Do not use the LED UV and Post cure unit in an ambience with a possibility of catching fire (gasoline, combustible gas spray, thinner, lacquer, powder dust, etc.). In addition, do not put paper or cloth near or on the LED UV and Post cure unit, or it may cause fire or it may cause electrical shock.
- Never look at the LED UV and Post cure unit being lit with your naked eyes, or it may cause pain in your eyes or visual impairment. Be sure to wear safety glasses.
- Do not apply ultraviolet (UV) light directly to your skin, or it may cause irritation on your skin.
- It is recommended to replace the LED UV unit and Post cure unit within the rated life.

Disposition of this machine



- When discarding this machine, request the treatment of it for an industrial waste disposal contractor.
- Treat it properly in compliance with regulation in the local area.

Precautions in Use

 CAUTION	
Power supply <ul style="list-style-type: none"> • Leave the breaker turned ON. • Do not turn off the main power switch on the right side of this machine. 	Handling of the power cable <ul style="list-style-type: none"> • Use a power cable attached to this unit. • Take care not to damage, break or work on the power cable. If a heavy matter is placed on the power cable, heated or drawn, the power cable can break to cause fire or electric shocks. • Connect to a socket-outlet with determinate polarity.
Note on maintenance <ul style="list-style-type: none"> • When cleaning the External ink supply unit or the heads, make sure to wear the attached gloves. • pay close attention to ventilation and be sure to wear the included safety glasses and gloves. 	Heater <ul style="list-style-type: none"> • Do not spill liquid on the platen as this may cause failure of the heater or firing. • Do not touch platen heaters with bare hand while it is hot; otherwise, you can get burned.
Handling of ink / cleaning solution <ul style="list-style-type: none"> • Before using ink and cleaning solution, be sure to read the Safety Data Sheet (SDS). • If you get ink in your eyes, immediately wash your eyes with a lot of clean water for at least 15 minutes. In doing so, also wash eyes to rinse ink away completely. Then, consult a doctor as soon as possible. • If anyone drinks ink by mistake, keep him or her quiet and see a doctor immediately. Do not allow him or her to swallow the vomit. After that, contact the Poison Control Center. • If you inhale a lot of vapor and feel bad, immediately move to a location of fresh air and then keep yourself warm and quiet. Then, consult a doctor as soon as possible. • A part of the ingredients (photo polymerization initiator) has toxicity against aquatic organisms. Please prevent leakage flow to natural water systems (river, etc.) and domestic sewages (toilet, road, etc.) 	Grounding work <ul style="list-style-type: none"> • This unit requires grounding work to prevent electrical shock. • Carry out the grounding work.
	Wearing protective devices <ul style="list-style-type: none"> • When cleaning the suction nozzle, which may scatter ink, be sure to wear safety glasses and gloves, or ink and washing liquid might enter your eyes or ink and washing liquid put on your hands might make your hands rough.
	Handling the Anti-freezing liquid Power supply <ul style="list-style-type: none"> • Be sure to store the Anti-freezing liquid in a cold and dark place. • Store the Anti-freezing liquid in a place that is out of the reach of children.
About UV light <ul style="list-style-type: none"> • A little UV light leaks from the LED UV unit and post cure unit. UV light applied to your skin might cause inflammation and/or skin cancer. Though weak UV light might cause no inflammation, repeated exposure to it may lead to chronic disorders. Avoid applying UV light to your skin and eyes. • The floor may be discolored because of UV light leakage, please install the printer unit on the mat for shielding the light. <div style="text-align: right; margin-top: 10px;">  <p>Lay a mat or fabric on the floor.</p> </div> <ul style="list-style-type: none"> • Possible damage to your eyes due to ultraviolet is acute disorder (feeling like something is in your eye, pain and flow of tears) and chronic disorder (cataract etc.). When using this machine, take protective measures such as gloves, long-sleeve cloth, light-resistant mask, attached light-resistant glasses, etc. 	



CAUTION

About hot parts



- The LED UV unit and the Post Cure Unit become very hot. When carrying out maintenance, wait until the temperature has been sufficiently lowered after the lamp is turned OFF.
- Some parts outside the unit will have a very high temperature. A high temperature caution label is placed on such parts. Do not touch the parts with the caution label placed and their vicinity, or burn injury may occur.
- When it is unavoidable to touch hot parts, be sure to wear heat-insulating gloves to protect your hands.



Notes on LED UV unit



- When handling the LED UV or the silica glass on the bottom of the irradiation device, be sure to wear the gloves attached and never touch them with bare hands, or the UV ink curing level is significantly lowered. If the LED UV or silica glass is contaminated, wipe it with clean gauze moistened with alcohol. (Do not use alcohol for cleaning the exterior cover, or the paint will peel off.)



- The LED UV performance and service life are significantly affected by the UV irradiation and UV power supply units used. Never use those UV devices other than those recommended by Mimaki. We would take no responsibility for any troubles caused through the use of a UV devices not recommended by Mimaki.

About cleaning



- After using the unit long time, foreign materials and dust may be gathered on the conductive and insulating parts, causing electric leakage. Periodically clean such parts.
- For cleaning, do not use compressed air because it scatters foreign materials and dust, which may cause malfunctions when put inside the conductive parts. Be sure to use vacuum cleaner for cleaning of foreign materials and dust.
- Do not use the unit in a place where there is a possibility of being wet, or electrical leakage may occur.
- Electrical leakage, if it should occur, may lead to electrical shock of personnel or fire.
- In order to prevent accidents from occurring, be sure to carry out periodic inspections and replacement of timechange components.

About firing and smoking





- Touching hot parts such as the LED UV unit with combustible materials may cause firing and/or smoking. Leaving combustible materials under the UV LED unit for a couple minutes may also cause firing and/or smoking.




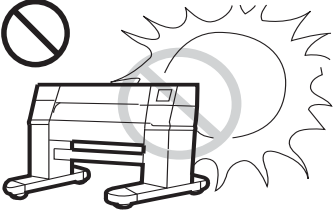
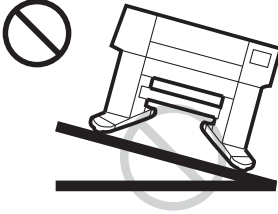

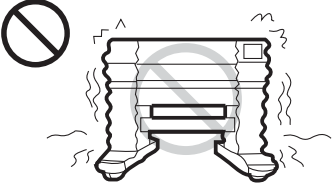
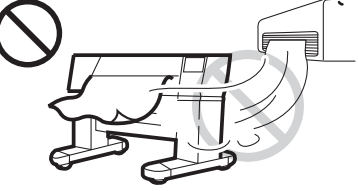
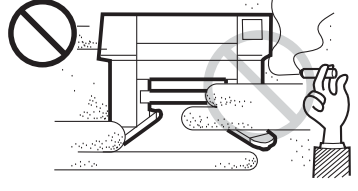
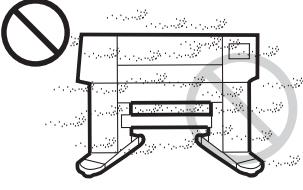
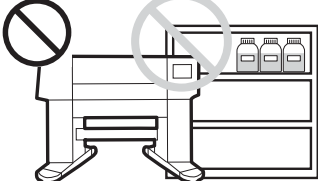
- After the unit is used long time, foreign materials or dust gathered on the stabilizer or other parts may cause electrical leakage or insulation deterioration may cause firing and/or smoking. Periodically clean the parts and measure the insulation resistance, replacing deteriorated parts, if any.
- After the unit is used long time, screws, etc. on the conductive parts may be loosened, causing firing and/or smoking. Periodically tighten such screws.
- Because this unit is not of explosion proof type, do not use it in an ambience with hazardous materials, or a possibility of explosion may arise.
- If abnormalities of the unit such as a strange odor, a smoking or a spark burn are found, turn the power off and call Mimaki immediately.

CAUTIONS and NOTES

 Warning		
Handling of ink bottles	Front cover and lever	
<ul style="list-style-type: none"> • Use the UJV500 genuine ink. Remember that the user shall be filled for a repair to correct any damage resulting from the use of ink other than the exclusive type. • The machine does not operate with any ink other than the UJV500 genuine ink. • Do not use the UJV500 genuine ink with other printers, as doing so may cause damage to such machines. • Never refill the ink bottle with ink. Refilled ink bottle can cause a trouble. Remember that MIMAKI assumes no responsibility for any damage caused by the use of the ink bottle replenished with ink. • If the ink bottle is moved from a cold place to a warm place, leave it in the room temperature for three hours or more before using it. • Open the ink bottle just before installing it in the machine. If it is opened and left for an extended period of time, normal printing performance of the machine may not be ensured. • Make sure to store ink bottles in a cool and dark place. • Store ink bottles and waste ink tank in a place that is out of the reach of children. • Be sure to thoroughly consume the ink in the ink bottle, once it is opened, within three months. If an extended period of time has passed away after opening the ink bottle, printing quality would be poor. • Neither pound the ink bottle nor shake it violently, as doing so can cause leakage of ink. • Do not touch or stain the contacts of the IC chip, as doing so may cause damage to the print circuit board. • Waste ink is equivalent to waste oil of industrial waste. Request an industrial waste disposal company for disposal of waste ink. • Do not discard to natural water systems (river, lake, etc.) and domestic sewages (toilet, washstand, road, etc.). 	<ul style="list-style-type: none"> • Never open the front cover or raise the lever during printing. Opening the cover or raising the lever will abort printing. 	
	Handling of media	<ul style="list-style-type: none"> • Use media recommended by MIMAKI to ensure reliable, high-quality printing. • Set the temperature of the Print heater and Post-heater according to the type and characteristics of the media used. Automatic temperature setting can be made on the operation panel by setting the profile on the dedicated RIP. For setting on the RIP, refer to the instruction manual for your RIP. • Pay attention to the expansion and contraction of the media. Do not use media immediately after unpacking. The media can be affected by the room temperature and humidity, and thus it may expand and contract. The media have to be left in the atmosphere in which they are to be used for 30 minutes or more after unpacked. • Do not use curled media. The use of curled media can not only cause a media jam but also affect print quality. Straighten the sheet of media, if significantly curled, before using it for printing. If a regular-sized coated sheet of media is rolled and stored, the coated side has to face outside. • Do not leave the media with the heater ON for a long time.
	Protection of media from dust	<ul style="list-style-type: none"> • Store media in a bag. Wiping off dust accumulated on media will adversely affect the media due to static electricity. • When leaving the workshop after the working hours, do not leave any media on the roll hanger. If any media is left on the roll hanger, it can get dusty.

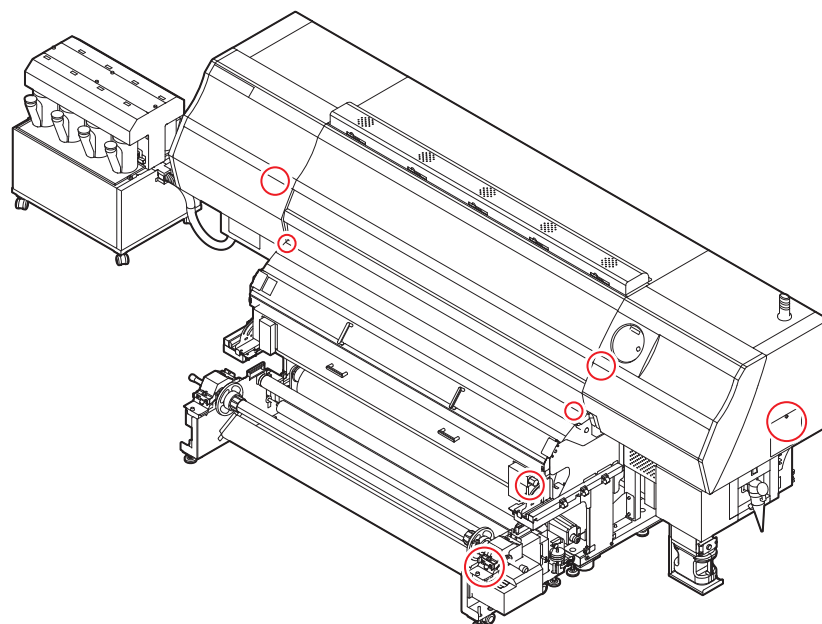
 Warning	
Notes on maintenance	
<ul style="list-style-type: none"> • It is strongly recommended to use the machine in a room that is not dusty. • Keep the front cover closed even when the machine is not printing. If not, dust can accumulate on the nozzles in the heads. • Dust in the heads can also cause drops of ink to fall suddenly down on the media during printing. In such a case, be sure to clean up the heads. • When cleaning the ink-station or the heads, make sure to wear the attached gloves. • Perform wiping (removal of dust and paper powder) of the capping station and wiper frequently. 	
Periodic replacement parts	
<ul style="list-style-type: none"> • Some parts of this machine must be replaced with a new one periodically by service personnel. Be sure to make a contract with your distributor or dealer for After sale service to ensure a long life of your machine. 	
Disposition of this machine	
<ul style="list-style-type: none"> • When discarding this machine, request the treatment of it for an industrial waste disposal contractor. • Treat it properly in compliance with regulation in the local area. 	

Cautions on Installation

 CAUTION		
A place exposed to direct sunlight	On an inclined surface	A place where temperature or humidity varies significantly
		 <ul style="list-style-type: none"> • Use the machine under the following environmental conditions: • Operating environment: 20 to 30 °C (68 to 86 °F) 35 to 65 % (Rh)
A place that vibrates	A place exposed to direct air flow from an air conditioner or the like.	Around a place where fire is used
		
A place with much dust	A place with chemicals around	
		

Safety interlock

This machine is equipped with interlocks to terminate the operation for your safety when the cover opens during printing etc. (red circle parts in the figure below).



Chapter 1

Before Use



This chapter

describes the items required to understand before use, such as the name of each part of the machine or the installation procedures.

About installing this machine	1-2	Connecting Cables	1-10
Where to Install This Machine	1-2	Connecting USB2.0 Interface Cable	1-10
Working Environmental Temperature	1-2	Connecting Power Supply Cable	1-11
About fixing machine	1-3	Fill ink	1-12
Moving This Machine	1-3	About ink disposal	1-18
Names of Parts and Functions	1-4	Caution in handling of ink bottles	1-19
Front Side of the Machine	1-4	Media	1-20
Rear Side and Right Side of the Machine ...	1-5	Usable sizes of media	1-20
Operation Panel	1-6	Caution in handling of medias	1-20
Heater	1-7		
Media sensor	1-7		
Carriage	1-8		
Cutter unit and slot for cutting	1-8		
Indicator	1-8		
Capping station	1-9		
Pinch rollers and Feed rollers	1-9		

About installing this machine

Where to Install This Machine

Secure a suitable installation space before assembling this machine.

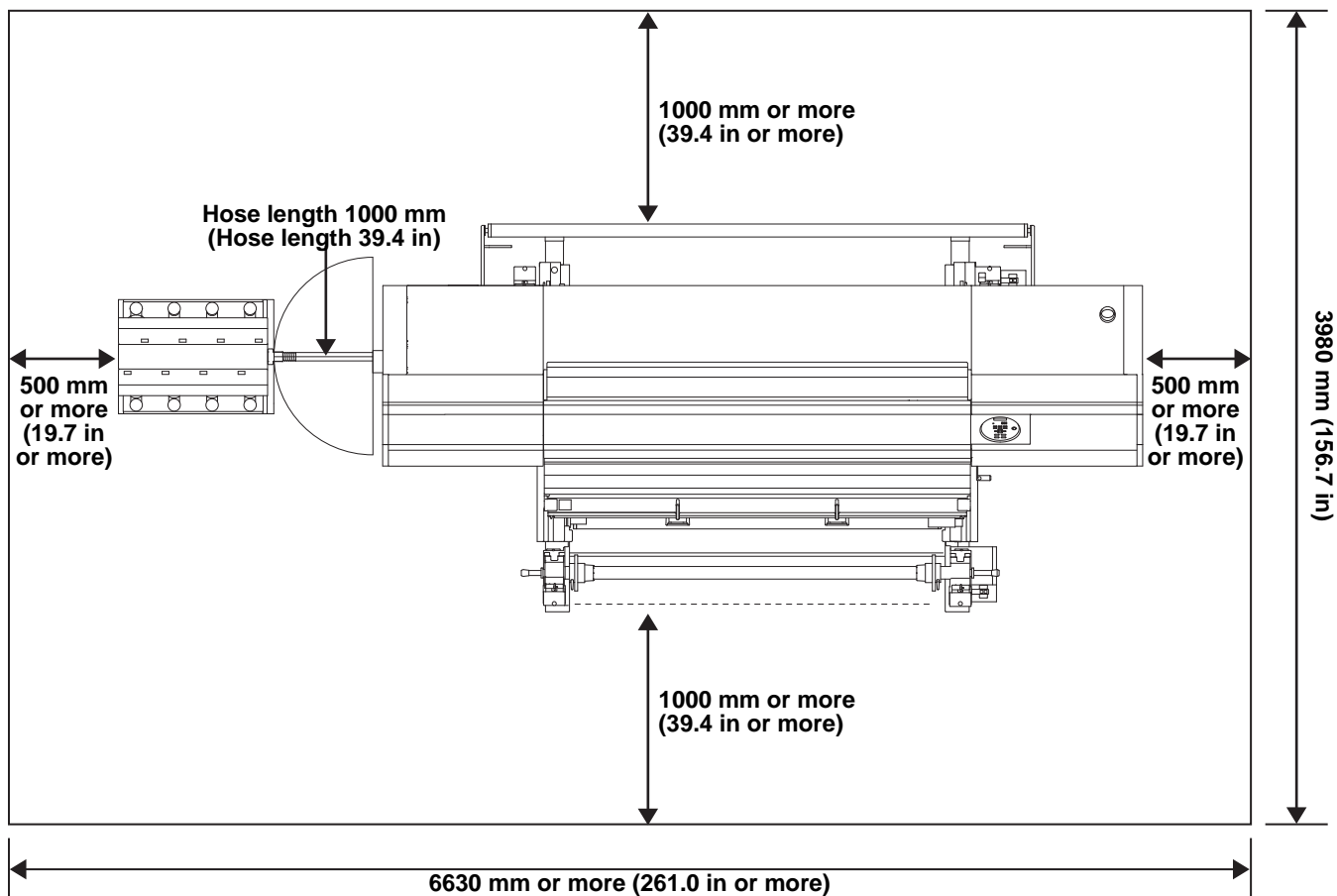
The place of installation must have enough space for not only this machine itself, but also for the printing operation.

Model	Width	Depth	Height	Gross weight
UJV500-160	3850mm (151.6in)	1930mm (76.0in) *1	1700mm (67.0in)	800kg (1763.7lb)
External ink supply unit	780mm (30.7in)	570mm (22.4in)	830mm (32.7in)	30kg (66.1lb)

*1. When the VTTS is attached



- If the place to install the machine is exposed to strong sunlight around the window, draw a curtain to prevent the machine from being exposed to strong sunlight.



- When you usually use photographic fixer, do not install this machine in a room filled with vapor of photographic fixer. If you install this machine in such a room, ink adhering to the head hardens and it may cause image quality defect that cannot be improved even if you perform head cleaning many times and may cause nozzle clogging.
- Besides photographic fixer, if you leave this machine in an environment where acidic vapor (acetic acid, muriatic acid, etc.) is generated, the same phenomenon occurs.
- Do not use this machine in environments where cutting fluid or other volatile substances are present in large quantities (e.g., amines, modified amine alcohol). Additionally, keep this machine, ink, and maintenance kit away from such environments. Disregarding this precaution may result in nozzle clogging.

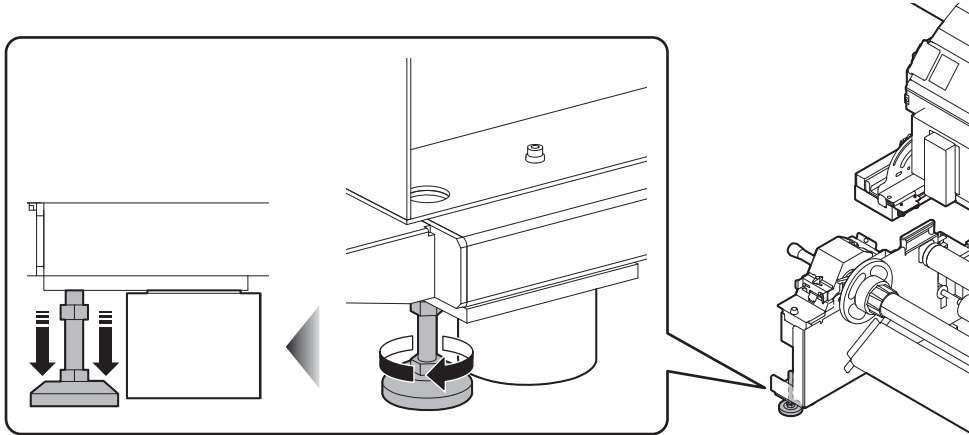
Working Environmental Temperature

Use this machine in an environment of 20°C (68°F) to 30°C (86°F) to ensure reliable printing. The heater temperature may not reach the set value, depending on the ambient temperature.

About fixing machine

The leg of this machine has the level foot to fix the machine.

Before turning the power ON, make sure that the printer body is fixed with the leveling feet. The printer body may start moving during operation if it is not fixed with the leveling feet.



- Put the supplied iron base plate (gray) between each leveling foot and the floor. To hold the weight of the printer, using plate is recommended.

Moving This Machine

Important!

- When the machine is moved to any place other than on the same step-free floor, contact your distributor or our service office.
If you move it by yourself, failure or damage may occur.
Be sure to request your distributor or our service office to move this machine.

Names of Parts and Functions

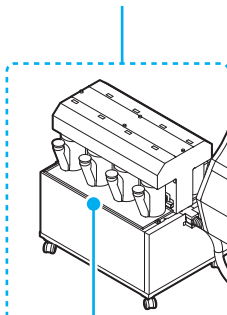
Front Side of the Machine

Left maintenance cover

Open the cover in maintenance.
Even when the power button is off,
keep all covers closed.

External ink supply unit

Set the ink bottle.



Ink bottle
Each bottle
contains an ink of
a particular color.

Platen
The printed media is sent out, sliding on the platen. Three heaters are installed inside the platen.
Print heater/ Pre-heater/ Post-heater
Fixes and dries the ink on the currently produced print.
(Located inside the platen)

Front cover

Open the cover in setting of medias, taking of measures
against jamming of medias or in maintenance inside the
station.
Even when the power button is off, keep this cover and the
other covers closed.

Post cure unit

The lamp unit to cure printed ink

Operation panel

This panel has the operation keys
required for operating the machine and
the LCDs for displaying setting items,
etc.

Upper right maintenance cover

Open the cover in maintenance.

Lower right maintenance cover

Open the cover in maintenance.

Waste ink tank

Waste ink gathers in this tank.

Take-up VTTS

Take up the output drawn with a
roll medium automatically.

Narrow Take-up device

Take up the output drawn with a roll
medium automatically.

Clamp lever (front)

Moves the pinch rollers up and down to hold
or release the media.

Stand

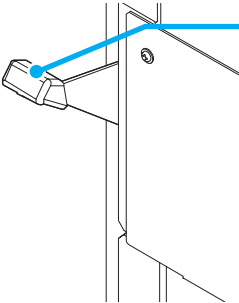
Supports the main body of the machine.

Rear Side and Right Side of the Machine

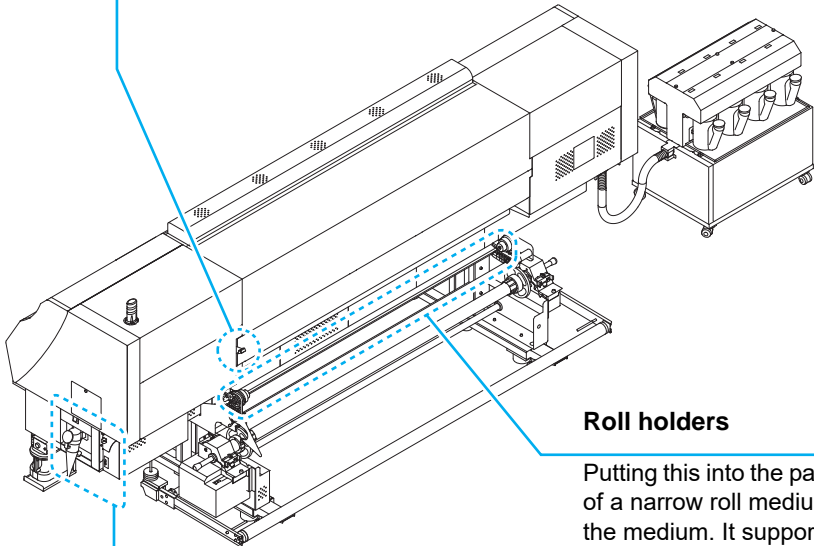
1

Before Use

Clamp lever (rear)



Interlocks with the clamp lever in the front of this machine.



Roll holders

Putting this into the paper core (right and left) of a narrow roll medium (less than 1m), hold the medium. It supports the paper core of 2 inch and 3 inch.

Main power switch

Turns on/off the main power for this machine. Leave the main power turned on to prevent ink clogging.

AC inlet

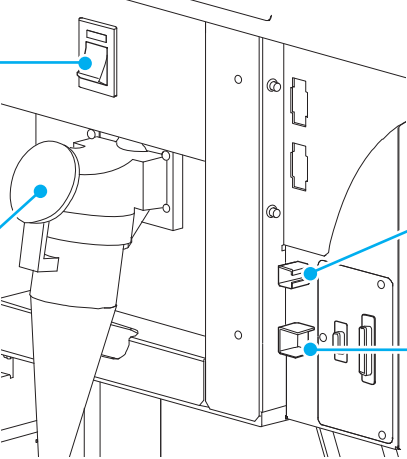
Connect the power cable to the AC inlet.

USB 2.0 connector

This is USB2.0 interface connector.

LAN connector

Please use this connector when you use event mail function.



Operation Panel

Use the operation panel to make settings for printing or operate this machine.

CONSTANT lamp

Lights in green when the heater temperature reaches the set temperature.

HEAT lamp

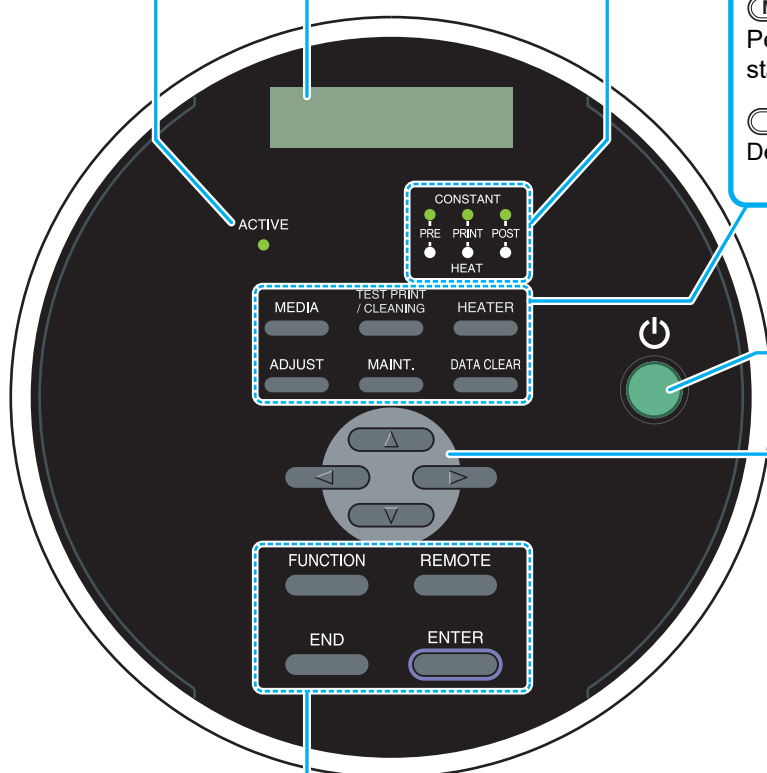
Lights in orange during heating up of the heater.

ACTIVE lamp

When the power supply is turned on, it lights.

Display

Displays the status of the machine, set items and errors.



MEDIA key

Use this when setting media cut and the head gap.

TEST PRINT/CLEANING key

Draws test patterns to check if there are any drawing failures such as ink clogging. Or executes Head cleaning at ink clogging.

HEATER key

Use this key to set the temperatures of the Pre-heater, Print-heater and Post-heater or check the current temperature of the platen.

ADJUST key

Performs the adjusting function such as "Drop.POScorrect" and "Feed COMP."

MAINT. key

Performs the maintenance function such as station maintenance.

DATA CLEAR key

Deletes the data that have been received.

power button *1

Turns on/off the power to the machine.

JOG key

Use these keys to shift the carriage or the media in [LOCAL]. Also use them to select an item of printing conditions.

FUNCTION key

Use this key to display function setting menu.

END key

Cancels the last input value or returns the setting menu to the immediate higher level of the hierarchy.

REMOTE key

Use this key to switch between [REMOTE] and [LOCAL].

ENTER key

Registers the last input value as the setting value or goes to the immediate lower level of the hierarchy.



*1 : When the power supply button is turned ON, it lights in green, and when it is OFF, it goes out. The ink clogging prevention function is periodically operated even when the power button is OFF if the main power switch keeps being ON. (Auto maintenance function) P.1-5

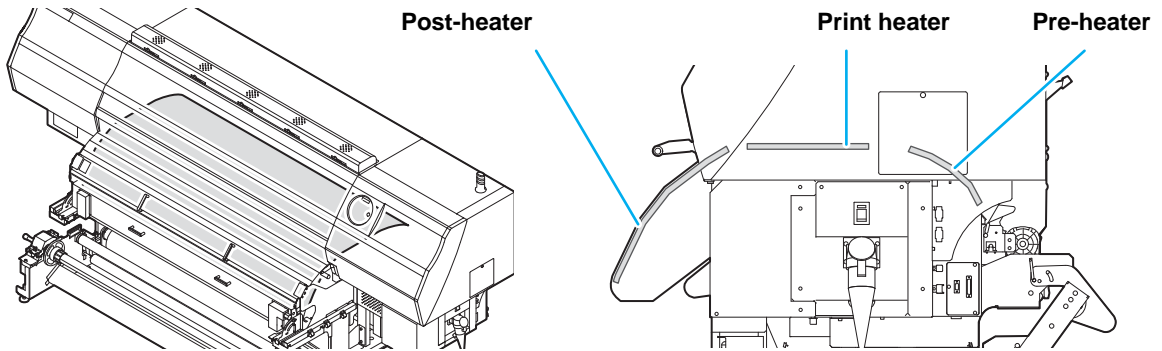
Heater

Print heater, Pre-heater and Post-heater are equipped on the platen.

Pre-heater	Preheats the media before printing to prevent rapid temperature change at the printing part.
Print-heater	Maintains image quality when printing.
Post-heater	Cures the ink after printing.



- While the heater is on, the platen is very hot. When the front cover is to be opened or media is to be replaced, lower the heater temperatures and wait until the platen temperature drops; otherwise, you can get burned.
- When the media is to be replaced with a thin one, lower the heater temperatures and wait until the platen temperature drops adequately. Setting a thin sheet of media while the platen is hot may cause the media to stick to the platen or cause wrinkling or curling of the media.
- Do not heat the media for a long time with the heater in the status not performing printing. The media surface may float as wave, and it may be the cause of the head rubbing the media. If the media floats as wave, press the  button on the operation panel to feed the media, or, perform test feeding ( P.2-29).

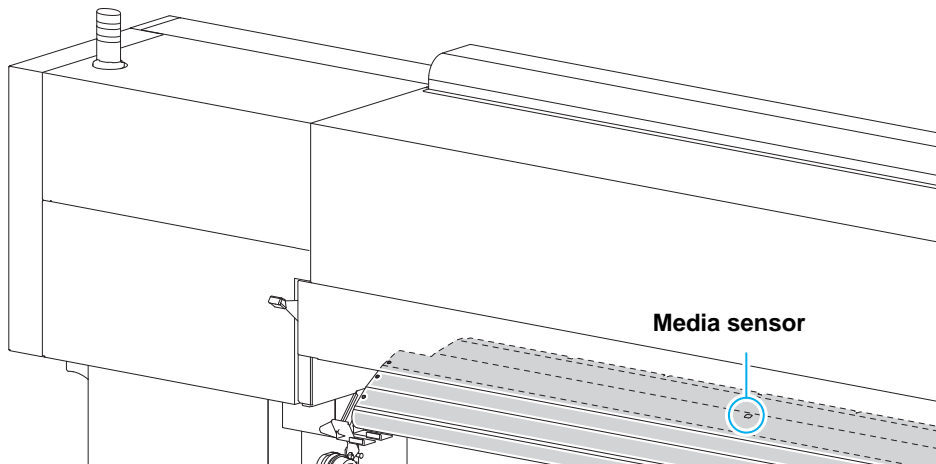


Media sensor

The media sensor detects the presence of the media and the media length. This machine has one media sensor on the platen (in the rear).



- When setting a medium, be sure to cover the medium sensors located on the rear of the platen. The media cannot be detected unless it is placed over the sensor.

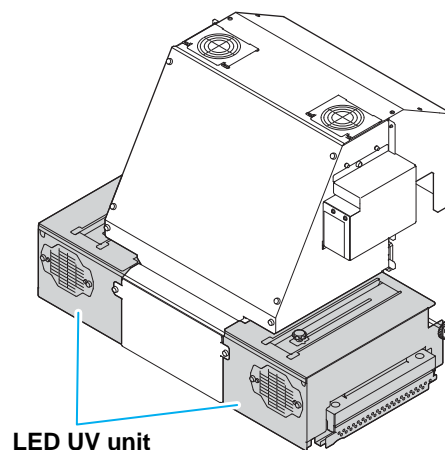


Carriage

The carriage has the ink head for printing, the LED UV unit and the cutter unit for cutting media.

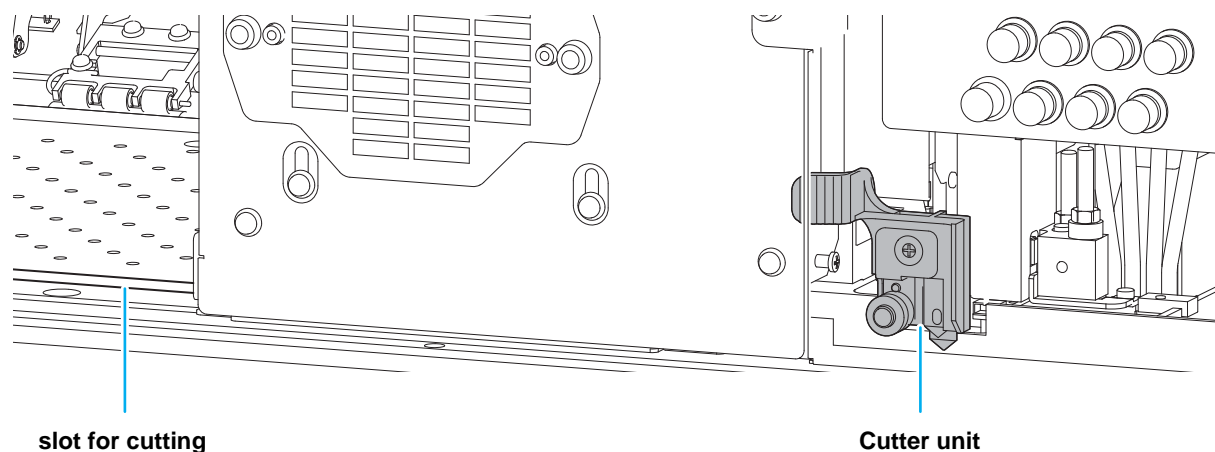


- Do not expose your naked eyes directly to the light irradiated from the LED UV when it lights.
- Do not touch the LED UV unit when it is being lit or just after it is set OFF. It may cause a burn injury, as it is very hot.



Cutter unit and slot for cutting

The carriage is provided with a cutter unit for cutting off the media that has been printed on. The cutter cuts off the sheet of media along the slot for cutting on the platen. The cutter is consumables. If it gets dull, replace it with new one. (P.4-33)

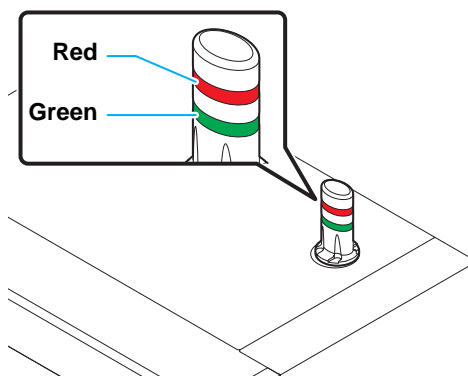


Indicator

Functions of the Indicator on the top right of this unit are described here.

The indicator has a green and a red lamp.

Color of lamp	State of lamp	State of machine
Green	Lighting	REMOTE
	Blinking	REMOTE (printing)
	Off	LOCAL
Red	Lighting	Error has occurred (system down)
	Blinking	Error or warning has occurred
	Off	Normal



Capping station



- Be sure to wear the attached safety glasses in cleaning within the capping station to protect your eyes against ink. Otherwise, you may get ink in your eyes.

The capping station consists of the ink caps, the wiper for cleaning the heads, etc.

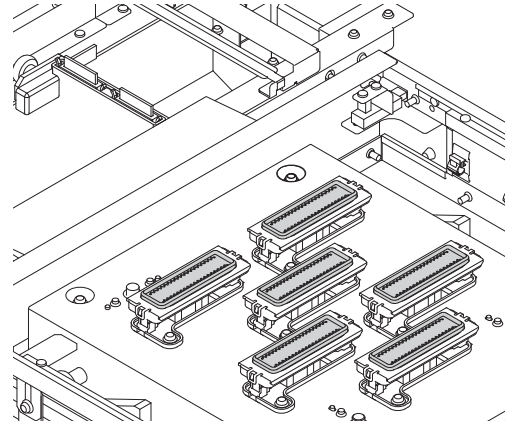
The ink caps prevent the nozzles in the heads from drying up.

The wiper cleans the nozzles in the heads.

The wiper is consumable. If the wiper is deformed or the media is stained, replace the wiper with a new one. (☞ P.4-32)

Important!

- If the capping station is subjected to sunlight or artificial light, the ink inside the capping station will become cured, resulting in reduced image quality and malfunctions. Therefore, the cover should be closed as soon as possible after maintenance is complete.

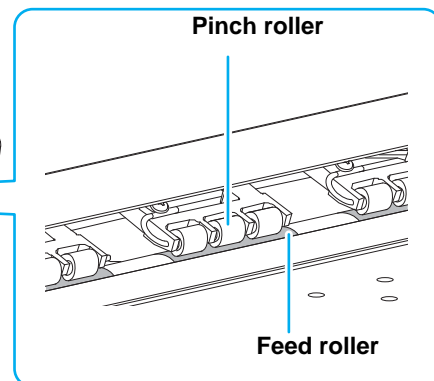
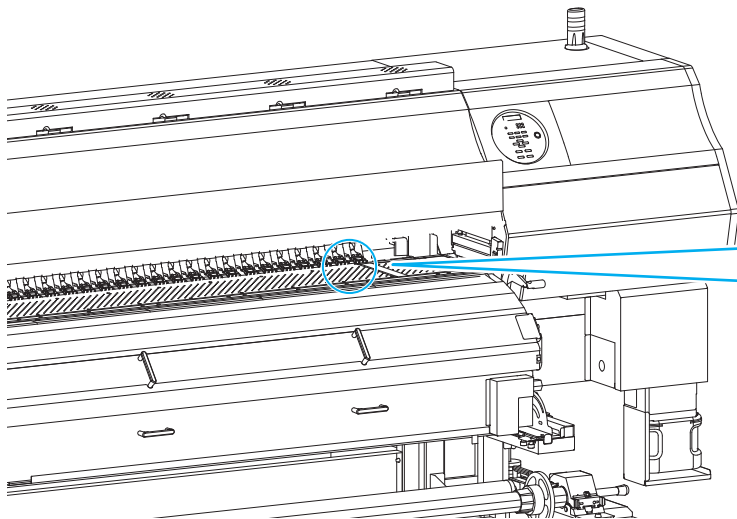


Pinch rollers and Feed rollers

Important!

- Keep the pinch rollers lifted up when this machine is not in use. If the pinch rollers are left lowered for an extended period of time, they can be deformed and fail to securely retain the media.

This machine retains the media with the pinch rollers and feed rollers. During printing operation, the feed rollers feed the media forward.



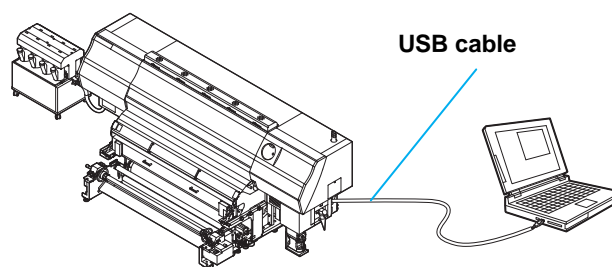
Connecting Cables

Connecting USB2.0 Interface Cable

Connect the PC and this machine with the USB2.0 interface cable.



- Your RIP must be compatible with USB 2.0.
- Contact a RIP maker near your location or our office when the USB2.0 interface is not attached to the PC.



Notes on USB 2.0 Interface

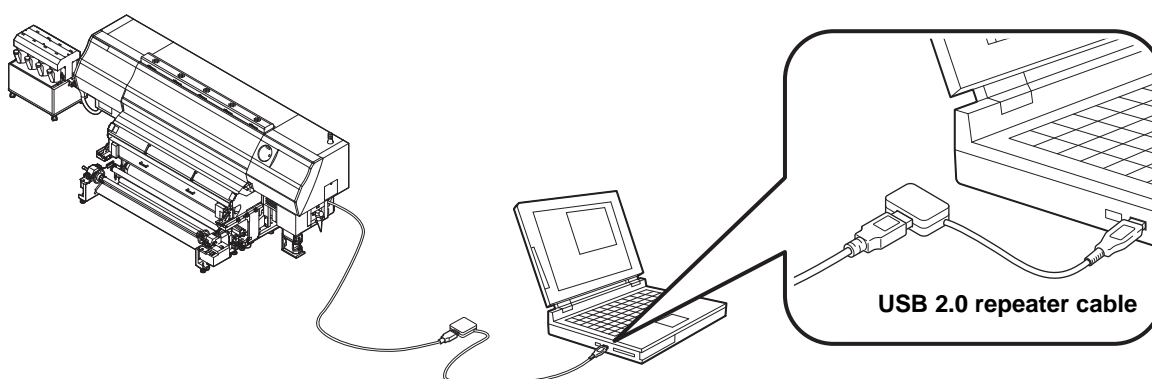


- Your RIP must be compatible with USB 2.0.

● When two or more UJV500 machines are connected to one personal computer

When two or more UJV500 machines are connected to one personal computer, the personal computer may not recognize all the UJV500 machines normally.

Reconnect the unrecognized UJV500 machine to another USB port, if available, and check to see if it is recognized. If the UJV500 machine is not recognized by the newly connected USB port, use USB 2.0 repeater cables available on the market.



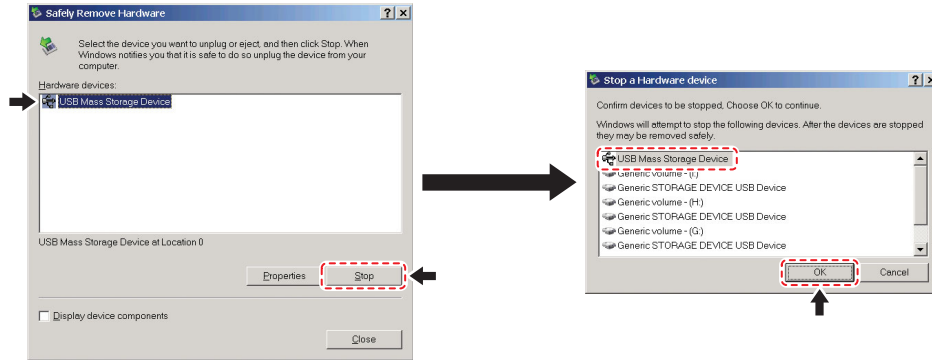
● Notes on peripheral devices in USB high speed mode

When a peripheral device (USB memory or USB HDD) to be operated in USB high speed mode is connected to the same personal computer that a UJV500 machine is connected to, the USB device may not be recognized. When UJV500 is connected to the personal computer to which an external HDD is connected via USB, the speed of data output to UJV500 may drop. That can cause the head unit to stop temporarily at the right or left end during printing.

● Removing USB memory

If a USB memory module is inserted in the personal computer to which a UJV500 machine is connected, click "Stop" in the "Safely Remove Hardware" window by following the instructions given there first and then remove the module.

Leaving a USB memory module inserted can cause [ERROR 201 COMMAND ERROR]. Copy the data onto the hard disk before outputting it for printing.



Connecting Power Supply Cable

You are not allowed to install the printer by yourself. Be sure to request MIMAKI's service personnel and an electrician to install the printer.

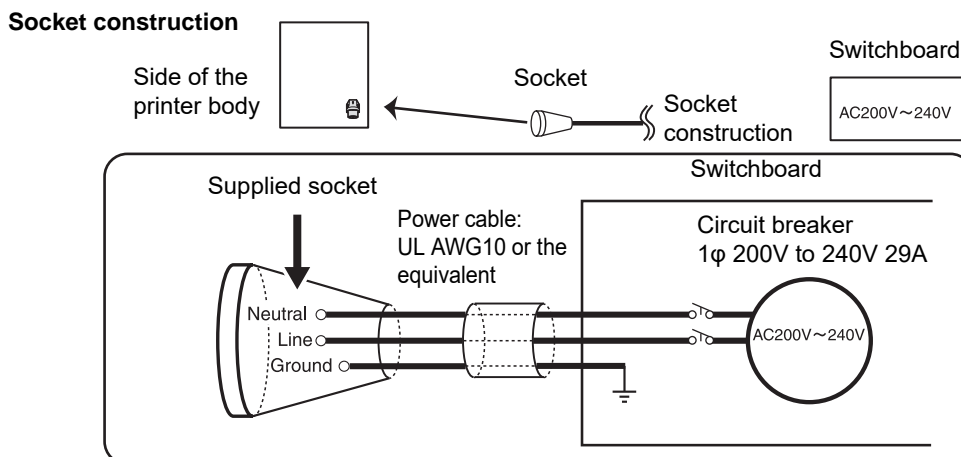


- The power supply specifications of this machine is as below:
Single-phase 200 to 240 Vac 30 A or less (cannot be used with 100 V system)
- For the power supply to the main body of the printer, electrical work is required as described below. Request an electrician to perform electrical work.
Socket installation onto the circuit breaker
Grounding work
- Ensure that a wall outlet is available near the printer. Also ensure that the power cable can be easily unplugged whenever necessary.
- To prevent electrical shock hazard, it is prohibited for anyone other than electrician licensees to perform the electrical work for this printer.
- Take care not to miswire, which can result in a fire or an electric shock.



- When any power cable other than the supplied one is to be used, make sure that the cable is equivalent to one of the following types. Connect the cable as shown below.
VCT-5.5m m² x33 cores (600 V)
UL-AWG10x3C (600V)

For power supply connection, this printer uses the Type B plug and socket in compliance with IEC 60309. When a socket construction meeting the plug of the power cable of this printer is required, use the supplied socket and perform construction between your switchboard and the socket.



1 Before Use

Fill ink in the ink bottle of the external ink supply unit.



- Be sure to wear the attached safety glasses and gloves to perform the work. Ink may get in your eyes.

Rough standard for adding ink

You can check the current amount of ink in the ink bottle (rough standard) with the ink remaining amount indicator above the ink bottle.

The way to check the ink remaining amount indicator and the ink remaining amount are as below.

In addition, when this machine enters into the status of [Ink Near END] or [Ink End], the screen and the ink bottle lamp indicate it.



Notes before adding ink

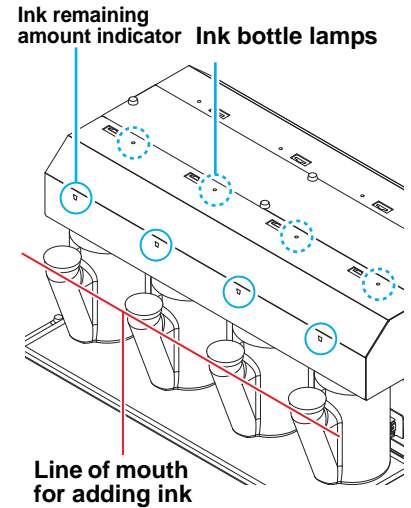
Check the following before adding ink. Failure to do so could require all of the ink inside the ink supply unit to be discarded.

- Type of ink
- Color of ink
- Expiration date of ink

Check the expiration date of the ink inside both the ink bottle and the ink supply unit.

Check the label for the expiration date of the ink bottle.

Press the **ENTER** key to check the expiration date of the ink inside the ink supply unit. (☞ P.3-53)



Status of ink remaining amount indicator						
Status of ink amount	Ink near end	Ink end	—————	—————	Ink near full	Ink full
Ink bottle lamp	Blinks in red	Lights in red	Lights in green	Lights in green	Lights in green	Lights in green
Judgment for adding	Adding is possible.		Adding is possible.	Adding is possible.	Adding is completed.	Adding is completed.
Current ink amount *1	About 200 to 700cc		About 700 to 1500cc	About 1500 to 1700cc	About 1700 to 1900cc	About 1900 to 2000cc *2
Distance from liquid level to mouth for adding	About 120mm (4.7in) and more		About 55mm (2.2in) and more	About 50mm (2.0in)	About 40mm (1.6in)	About 30mm (1.2in) and less

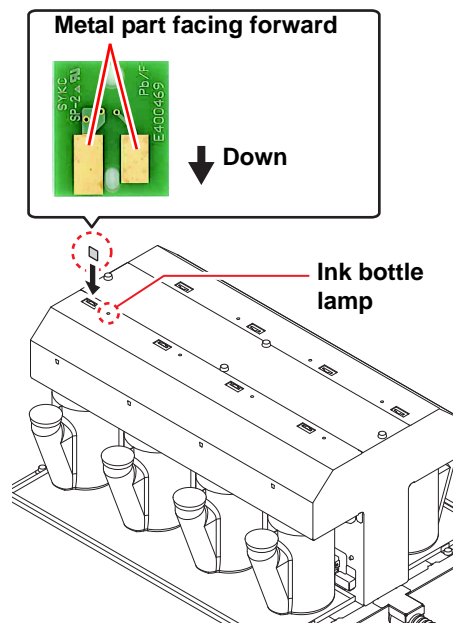
*1. The ink remaining amount indicator is only rough standard. For ink filling, it is recommended to check the liquid level from the mouth for adding ink.

*2. You can add ink up to 2.5L (liter) in the ink bottle set in this machine. However, ink may drop from the mouth for adding ink. When the remaining amount indicator becomes completely red, do not add ink.

1

Insert the IC chip included with the 1 liter ink bottle.

- When you insert the IC chip, the ink bottle lamp lights orange and a buzzer sounds.
- Insert the IC chip with the metal part facing forward and down. If you insert the wrong side by accident, it causes faulty or damage of the IC chip.
- Do not touch the metal part of the IC chip. It may break the IC chip by static, or may cause read error by stain or flaw.
- For the setting orders of the ink bottles, refer to P.6-5 "Setting orders of ink bottles".



2

IC chip charging starts automatically.

- The information on the IC chip, such as ink volume and expiration date, is loaded and managed by the printer.
- The ink bottle lamp flashes orange.

Important!

- Be sure to charge the IC chip whenever ink is added. Otherwise, the printer will be unable to manage the ink information.
- Do not remove the IC chip or turn off the printer during charging. Doing so will prevent the information on the IC chip from being charged correctly.

3

When charging is complete, remove the IC chip.

- When charging is complete, the ink bottle lamp will flash alternately between orange and green, and a buzzer will sound.
- You can check the details of the charge by pressing the **ENTER** key in Local.

Important!

- After charging is complete, be sure to remove and dispose of the IC chip. Do not reuse IC chips.

If the error message "INVALID INK CHARGE" appears on the display

- Charging was not possible for one or more of the following reasons:
 - (1) Faulty IC chip
 - (2) Printer ink level at 100%
 - (3) Attempting to charge ink that has passed its expiration date

For more information about errors, press the **ENTER** key in Local. (☞ P.3-53)

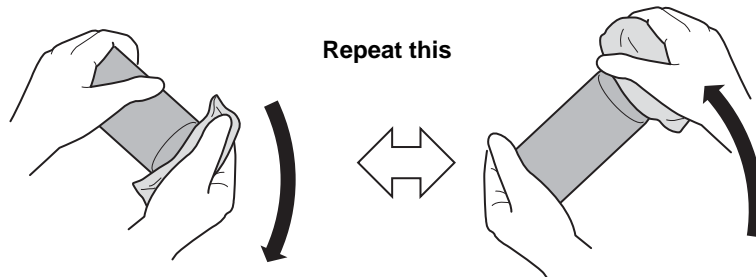
To retry charging, select the "Ink Charge" maintenance function. (☞ P.3-48)

4**Take out the 1 liter ink bottle, and slowly shake it twenty times and more.**

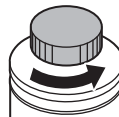
- To prevent ink from leaking when you shake it, wear gloves and cover the ink bottle cap with a paper towel etc. Being in that status, slowly shake it twenty times and more by flowing ink.



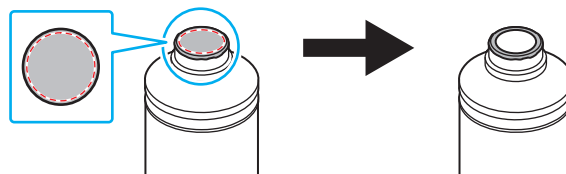
- Before shaking it, check that the cap is firmly closed.
- If you shake it too strong, it may cause ink leakage. Therefore, perform this carefully.
- If the remaining amount of ink is less, ink in the bottle cannot be beaten enough. Tilt the ink bottle until it becomes vertical.



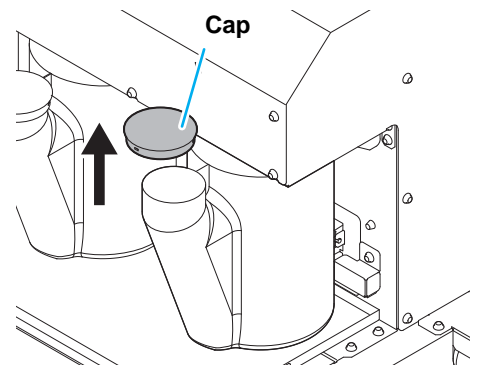
Cover with paper towel firmly and shake ink slowly

5**Remove the ink bottle lid.**

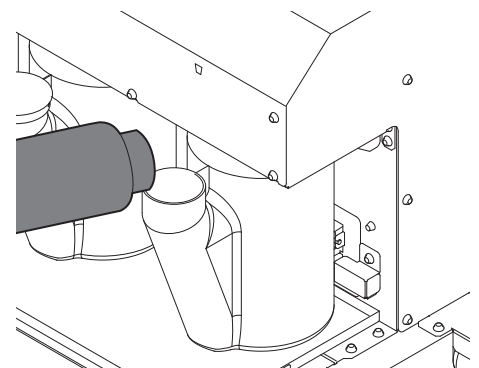
- If the mouth of the ink bottle is fitted with a seal, cut this open using a craft knife. Be careful not to drop the cut seal into the bottle.

**6****Remove the cap of the ink bottle set in the external ink supply unit.**

- First, cover the cap with a waste cloth etc. to prevent your hands from getting dirty and then remove it.

**7****While checking the ink remaining amount indicator, add ink.**

- While checking the ink remaining amount indicator above the ink bottle, add ink. For details, refer to P.1-25 "Rough standard for adding ink".



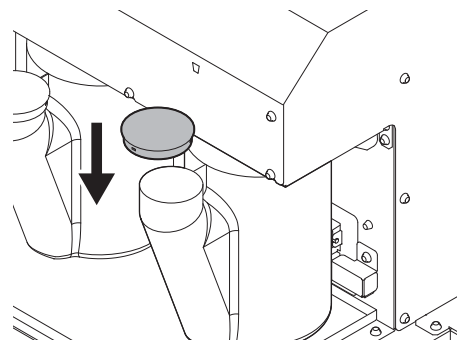
8

Attach the ink bottle cap firmly.

Important!

Attach the cap firmly.

- UV ink may be cured by ultraviolet. If the cap is not attached firmly after you add ink, it may cause adverse effects on ink in the bottle and it may become unusable.



Important!

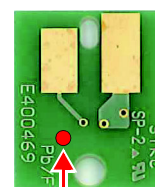
About IC chip

- The IC chip has information of ink color, remaining amount of ink, expiration data, etc. When setting the ink bottle, insert the IC chip packed with the ink bottle into the IC chip inserting port attached with the ink cover.
- If an IC chip that is not paired with the ink bottle is inserted, ink charging is not possible.
- The mark indicating color information is pasted on the IC chip.

Ink color and indication mark

Ink color	Indication mark
Black	● (one black circle)
Cyan	● (one blue circle)
Magenta	● (one red circle)
Yellow	● (one yellow circle)
Light cyan	●● (two blue circles)
Light magenta	●● (two red circles)
White	○ (one white circle)

IC chip



Mark indication position

Important!

How to check the charge status

The state of the ink bottle lamp indicates the charge status.

Ink bottle lamp state	Description
Steady orange lamp	Recognizes that an IC chip is inserted. Preparing to charge; do not remove the IC chip.
Flashing orange lamp	Charging. Do not remove the IC chip.
Alternately flashing orange and green (momentarily)	Charging was completed successfully. Remove and dispose of the IC chip.
Alternately flashing orange and red (momentarily)	Charging was unsuccessful. ("INVALID INK CHARGE" error occurs.) The IC chip can be safely removed.

When adding two 1 liter ink bottles

You can manage two liters of ink by charging the IC chip included with each ink bottle. (2 IC chips)

Pay careful attention to the following 2 points to accurately manage the amount of remaining ink.

- When adding ink, add all of the ink inside the ink bottle. (The volume of ink recorded on the IC chip included with a refill ink bottle is 1 liter. If ink remains in the bottle after adding ink, there will be a difference between the volume of ink managed by the printer and the actual volume of ink in the external supply unit.)
- Add ink immediately after IC chip charging. (After charging, do not wait before adding the ink. Otherwise, it will not be possible to accurately manage the ink information.)

When [INK NEAR END] is displayed

There is a little of ink left. You can print continuously, however, ink may end during printing. It is recommended to add ink as soon as possible.

Press the **ENTER** key in Local to check the bottle that requires refilling in Local Guidance. (P.3-53)

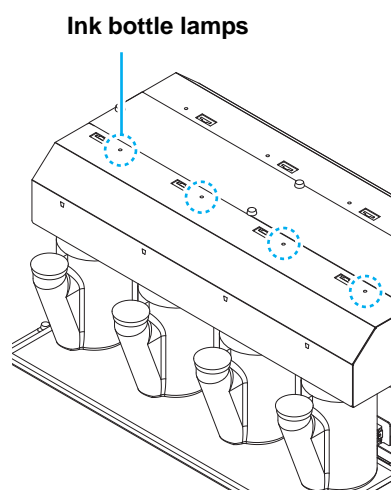
About ink end and ink near end

When ink near end occurs, the ink bottle lamp flashes red. Refill the ink as soon as possible.

When it becomes Ink end (remaining amount of ink is none), the ink bottle lamp lights in red to inform you of it. Add ink.

For Ink bottle lamps

The condition of the ink bottles set in the machine is confirmable with lamps located over the ink bottles.



Condition of Ink bottle lamp	Description
OFF	No error
Blinks in red.	There is less ink in the ink bottle (Near End). Or, one month has passed from the expiration date of ink. It will become unusable soon.
Lights in red.	There is no ink in the ink bottle, or the ink bottle cannot be used due to other ink error. (P.5-5)
Blinks in red (fast).	As two months have passed from the expiration date of ink, you cannot use the ink bottle.
Lights in green.	Indicates that ink is supplied. When you use four-color ink set, this machine first supplies ink from the ink bottle whose ink expires soon.
Blinks in red and green alternately.	It blinks in red and lights in green alternately.

About ink expiration date

The ink has its expiration date.

You can use the ink up to two months after the expiration date listed on the ink bottle, but you cannot use it after three months. Try to use up any expired ink quickly.

The ink bottle lamp's red status and the display will notify you when the ink is expired.

Example: The expiration date is April 2020

May : Replace with new ink or use up as quickly as possible.
Printing is possible.
("EXPIRATION" is displayed)

```
< LOCAL >
EXPIRATION [ ENT ]
```

June : Replace with new ink or use up as quickly as possible.
Printing is possible.
("EXPIRATION(1M)" is displayed and Ink bottle lamp
blinks in red.)

```
< LOCAL >
EXPIRATION ( 1M ) [ ENT ]
```

July : Printing is not possible.
("EXPIRATION(2M)" is displayed and Ink bottle lamp
blinks fast in red.)

```
< LOCAL >
EXPIRATION ( 2M ) [ ENT ]
```



- Press the **ENTER** key in Local to view the expiration date for the ink in Local Guidance. (P.3-53)



- When "EXPIRATION (2M)" is displayed and you can no longer use the ink, you will no longer be able to perform prints, cleaning, or IC chip charges (P.1-13). In that case, dispose of the ink inside the ink bottle (P.1-18) and refill with new ink (P.1-12).

When "INK CHARGE" is displayed in Local

If you could not perform the auto-charge for the following reasons, the message to the right is displayed to notify you.

- The inserted IC chip has expired (excluding "EXPIRATION(2M)")
- The ink bottle to be charged has expired (excluding "EXPIRATION(2M)")

```
< LOCAL >
INK CHARGE [ MNT ]
```

If the message is displayed, check the ink expiration date, then press the **MAINT.** key, browse to the "Ink charge" Maintenance function (P.3-48) and perform the ink charge.

About ink disposal

When disposing of ink, be sure to follow the procedure below.



- Be sure to wear the accompanying gloves and protective safety glasses before working. The ink may get in your eyes.
- When disposing of ink, call for service from our company or our distributor.

1 Press the **FUNCTION** key in LOCAL.

FUNCTION
SETUP [ENT]

2 Press **▲ ▼** to select [MAINTENANCE].

FUNCTION
MAINTENANCE [ENT]

3 Press the **ENTER** key.

MAINTENANCE
STATION [ENT]

4 Press **▲ ▼** to select [WASTE INK BTL.].

MAINTENANCE
WASTE INK BTL. [ENT]

5 Press the **ENTER** key.

WASTE INK BOTTLE
SELECT: BOTTLE 1-M

6 Press **▲ ▼** to select the ink bottle to be disposed ink.

WASTE INK BOTTLE
SELECT: BOTTLE 1-M

7 Press the **ENTER** key.

• The ink disposal confirmation screen, as well as the remaining amount (XX%) and expiration date (YY/MM) of the ink to be disposed of, are displayed.

BTL. 1-M:REMAIN 100%
INITIAL OK? [ENT]

↕ Displayed alternately

BTL. 1-M:Expire14/09
INITIAL OK? [ENT]

9 If there is no problem on the confirmation screen, press the **ENTER** key.

• This resets the ink charge information embedded in this machine.

10 Dispose of the ink in the ink bottle selected in Step 6.

• When disposing of ink, call for service from our company or our distributor.



- Request that an industrial waste disposal company process the disposal ink.

11**Refer to “Fill ink” on P.1-12, and refill with new ink.**

Caution in handling of ink bottles



- If you get ink in your eyes, immediately wash your eyes with a lot of clean running water for at least 15 minutes. In doing so, also wash the eyes to rinse ink away completely. Then, consult a doctor as soon as possible.
- Use genuine ink bottles for this machine. This machine functions by recognizing the genuine ink bottles. In case of troubles caused by modified ink bottles or the like, it shall be out of the warranty even within the warranty period.
- If the ink bottle is moved from a cold place to a warm place, leave it in the room temperature for three hours or more before using it.
- Make sure to store ink bottles in a cool and dark place.
- Store ink bottles and waste ink tank in a place that is out of the reach of children.
- Request an industrial waste processor for processing of empty ink bottles.
- Be sure to thoroughly consume the ink in the ink bottle, once it is opened, within three months. If an extended period of time has passed away after opening the ink bottle, printing quality would be poor.



- Do not shake ink bottles violently. This may result in ink leakage from the ink bottles.
- Do not touch or stain the contacts of the IC chip. This may cause damages on printed circuit boards.

1

Before Use

Usable media sizes and notes for handling are described.

Usable sizes of media

Model	UJV500-160		
Type of Recommended media *1	When using LUS-150 ink : PVC, PET film		
	When using LUS-200 ink : PVC, PET film		
	When using LUS-120 ink : PVC, PET film, tarpaulin		
Installation media width	Maximum : 1620mm (63.8in)		
	Minimum : 297mm (11.7in)		
Maximum printing width	1610mm (63.4in)		
Roll media	When using VTTS and feeding unit	When using narrow take-up device	
	Thickness	1mm or less (Should not cause trouble during media transport)	
	Roll outside diameter	Φ300mm (11.8in) or less	Φ180mm (7.1in) or less
	Roll weight*2	60kg (132.3lb) or less	18kg (39.7lb) or less
	Roll inside diameter	3 inches	2 or 3 inches
	Side printed	Inside and outside not relevant	
	Roll end treatment	The roll end is gently fixed to the core with weak-adhesive tape or weak glue for easy removal.	

*1. Depending on a media to be used, it may not adhere or the media may not be properly fed. Always try and check the media to be used beforehand.

*2. When holding the right and left side of roll media and when there is no deflection on the roll

Caution in handling of medias

Pay attention to the followings for handling of medias.



- **When handling media, wear the gloves.**
If you touch the media with your bare hand, the media may be stained due to fingerprints or oil of your finger. Be careful about it.
- **Do not leave the media with the heater ON for a long time.**
Waviness may occur on the media and it may cause media clogging.
- **Use media recommended by MIMAKI to ensure reliable, high-quality printing.**
Set the heater temperature to meet the characteristics of the media.
- **Set the temperature of the Print-heater, Pre-heater and Post-heater according to the type and characteristics of the media used.**
Automatic temperature setting can be made on the operation panel by setting the profile on the dedicated RIP. For setting on the RIP, refer to the instruction manual for your RIP.
- **Pay attention to the expansion and contraction of the media.**
Do not use media immediately after unpacking. The media can be affected by the room temperature and humidity, and thus it may expand and contract.
The media have to be left in the atmosphere in which they are to be used for 1 day or more after unpacked.
- **Do not use curled media.**
This may result in paper jamming.
If a regular-sized coated sheet of media is rolled and stored, the coated side has to face outside.
- **Be careful to dusts on the edge face of the medium.**
Some rolls have dusts contained in the package gathered on the edge surface of the roll. If you use as it is, the drawing quality may be degraded due to nozzle missing or ink drops. Be sure to set the roll after removing dusts adhering on the edge face of the roll.

Chapter 2

Basic Operations



This chapter

describes procedures and setting methods for ink and media preparation, and printing.

Workflow	2-2	Head Cleaning	2-32
Turning the Power ON/OFF	2-3	About head cleaning	2-32
Turning the Power ON	2-3	Perform head cleaning depending on the test	
Turning the Power OFF	2-4	printing result	2-32
Setting a Media	2-5	Set the media feeding	2-34
Setting the Head Gap	2-5	Setting Feed Correction	2-34
Note for media setting	2-6	Correct the ink drop position for bidirectional	
Setting a roll media	2-7	printing	2-36
Setting leaf media	2-25	Printing Data	2-38
Changing the printing origin	2-27	Starting a Printing Operation	2-38
Preparing for the Heaters	2-28	Stopping a printing operation halfway	2-39
Changing the Temperature Settings for the		Deleting Received Data (Data Clear)	2-39
Heaters	2-28	Behavior after printing has been	
Checking the Heater Temperature	2-28	completed	2-39
Test Feeding	2-29	Cutting a media	2-41
Test Printing	2-30		
Test Printing	2-31		

1 Turning the Power ON/OFF

Referring to “Turning the Power ON/OFF” (☞ P.2-3).

2 Setting a Media

Referring to “Setting a Media” (☞ P.2-5).

3 Preparing for the Heaters

Referring to “Preparing for the Heaters” (☞ P.2-28).

4 Test Feeding

Referring to “Test Feeding” (☞ P.2-29).

5 Test Printing

Referring to “Test Printing” (☞ P.2-30).

6 Head Cleaning

Referring to “Head Cleaning” (☞ P.2-32).

7 Set the media feeding

Referring to “Set the media feeding” (☞ P.2-34).

8 Correct the ink drop position for bidirectional printing

Referring to “Correct the ink drop position for bidirectional printing” (☞ P.2-36).

9 Printing Data

Referring to “Printing Data” (☞ P.2-38).

Turning the Power ON/OFF

Turning the Power ON

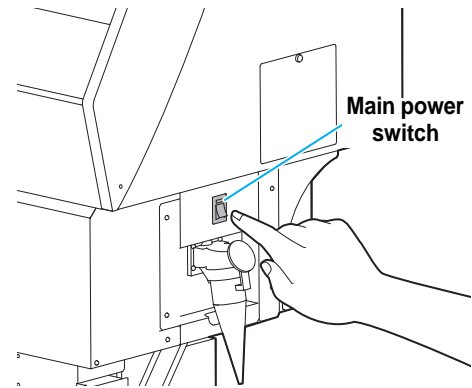
Important!

- Turn the power ON after the front cover and maintenance cover are closed.

1

Turn the main power switch ON.

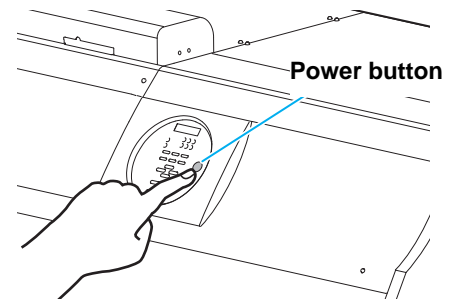
- Set the main power switches located on the side of this machine to the “I” side.



2

Push the power button.

- Push the power button located on the operation panel.



- The firmware version is displayed when the power is turned ON.
- The machine performs its initial operation.

UJV500 Start-up
Ver 1.00

3

The machine enters LOCAL.

<LOCAL>

4

Turn ON the power of the connected PC.



- Always make the main power switch ON. If you leave it OFF, it may cause nozzle clogging of the head. In some cases, recovery may become difficult.

2

Basic Operations

Turning the Power OFF

When having ended the operation of the machine, turn the power OFF by pressing the power button located on the front side.

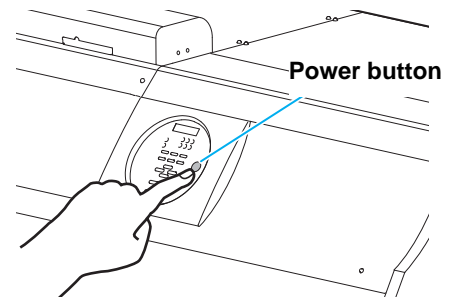
Check the following items when turning the power OFF.

- If the machine is receiving data from the PC or if there is any data that has not been output yet
- If the head has returned to the capping station
- If any error has occurred (☞ P.5-15 “Error messages”)

1 Turn OFF the power of the connected PC.

2 Press the power button to turn the power OFF.

- The power supply button goes out.
- Do not turn OFF the main power switch located on the side of the machine.
- To use this machine again, light the green lamp by pressing the power button.



Cautions about Turning the Power OFF

● Do not turn the main power switch OFF.

When the main power switch is ON, the power periodically turns ON and the nozzle clogging prevention function (flushing function) and the pressure adjusting function operate.

When the main power switch has been turned OFF, the auto maintenance functions, such as flushing, do not operate, and this may cause nozzle clogging.

● Keep the front cover and the maintenance cover closed.

If the cover is opened, the auto maintenance function such as the flushing function does not work.

● Turn the power OFF after having checked the position of the head.

If the power is turned OFF in a state where the head has not returned to the capping station, the head dries, which may cause nozzle clogging.

In this case, turn the power ON again and check that the head has returned to the capping station, and then turn the power OFF.

● Do not turn the power OFF during printing.

The head may not return to the capping station.

● After having turned the power button OFF, turn the main power switch OFF.

When turning the main power switch off for moving the machine or for solving the error or the like, press the power button on the front of the machine, check the display is turned off on the operation panel, and then turn the main power switch off.




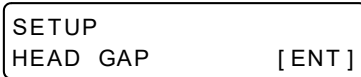
Setting a Media

This machine can be used with a roll media and leaf media.
For usable medias, refer to P.1-20 "Usable sizes of media".

Setting the Head Gap

Set the head gap (height from the media to the nozzle plane of the heads).
When the carriage is to move above the platen for printing or maintenance, it moves while keeping the head gap at the preset value.
The upper limit of the head gap varies with media thickness.

- Important!** • Although the head gap can be set to a maximum of 7mm, it is usually set to 2mm or less.
When used with 2mm or more, it can cause nozzle clogging by mist scattering and UV leakage light.

- 1** Press the **(MEDIA)** key in LOCAL. 
- 2** Press the **(ENTER)** key. 
- 3** Press **(▲)** **(▼)** to set a value of the head gap.
• Set value : 1.5 to 7.0mm 
- 4** Press the **(ENTER)** key. 
- 5** Press the **(END)** key several times to end the setting.

How to check the value of the head gap

When you check the head gap value currently set, perform the following procedures:

- Press the **(ENTER)** key in Local.
- Press the **(ENTER)** key several times to display [HEAD GAP].
• The head gap value currently set is displayed.

Setting the head gap without **(MEDIA)** key

You can set the head gap by using the **(FUNCTION)** key in the Local without pressing the **(MEDIA)** key.

- Press the **(FUNCTION)** key in Local.
- Press **(▲)** **(▼)** to select [SETUP], and press the **(ENTER)** key.
- Press **(▲)** **(▼)** to select [HEAD GAP], and press the **(ENTER)** key.
• The screen in the Step 2 is displayed.
Perform the procedures from the Step 3.


Note for media setting

When setting media, read the following notes carefully.



- Take care not to drop the media on your foot when setting the media. It may cause an injury due to the media.
- When setting a roll media, work by two or more people. Otherwise, you may hurt your back by the weight of the roll media.
- When you raise the clamp lever and cut the media with your tools (cutter, scissors, etc.), be sure to check each item below:
 - (1) Make TAKEUP setting in “Feeding/TakeUp” of the machine setting “OFF”. (☞ P.3-24)
 - (2) Check that the tension bar is at the lowest position.
- When you set a leaf media and if the media has much warpage, it may get hung up on the post cure unit and it may scratch up the printing surface. At this time, perform the procedures below:
 - (1) Use the take-up unit.
 - (2) Use the machine with the post cure unit open.
However, depending on the printing mode, ink may not be cured. It is recommended to test in advance.



- In the following cases, the media may not be detected correctly.
When setting a transparent media / when a media is exposed to direct sunshine.
- Do not use a printed media. Otherwise, ink can adhere to the pinch rollers and media may be stained or may not be detected.
- Straighten the significantly or internally curled media to be fed along the platen.
- If the media is left set on the machine for a long time, the media may form an irregular surface for the heat from the print-heater. If printing on such an irregular surface, the head may rub on the media. If an irregular surface is found on the media, feed the media with the  key to avoid printing on the irregular surface, and set a new origin. (☞ P.2-27)
- Set the media based on the center of the main body.
- Periodically replace the paper core for taking up the media. If you use the one whose inner has been peeled due to long-term use as shown in the right photo, taking up the media cannot be performed normally in some cases.



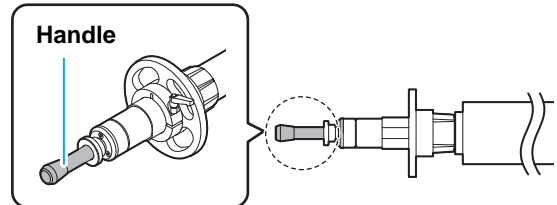
Setting a roll media

Prepare for the take-up device first

Prepare for the take-up device before setting the roll media.



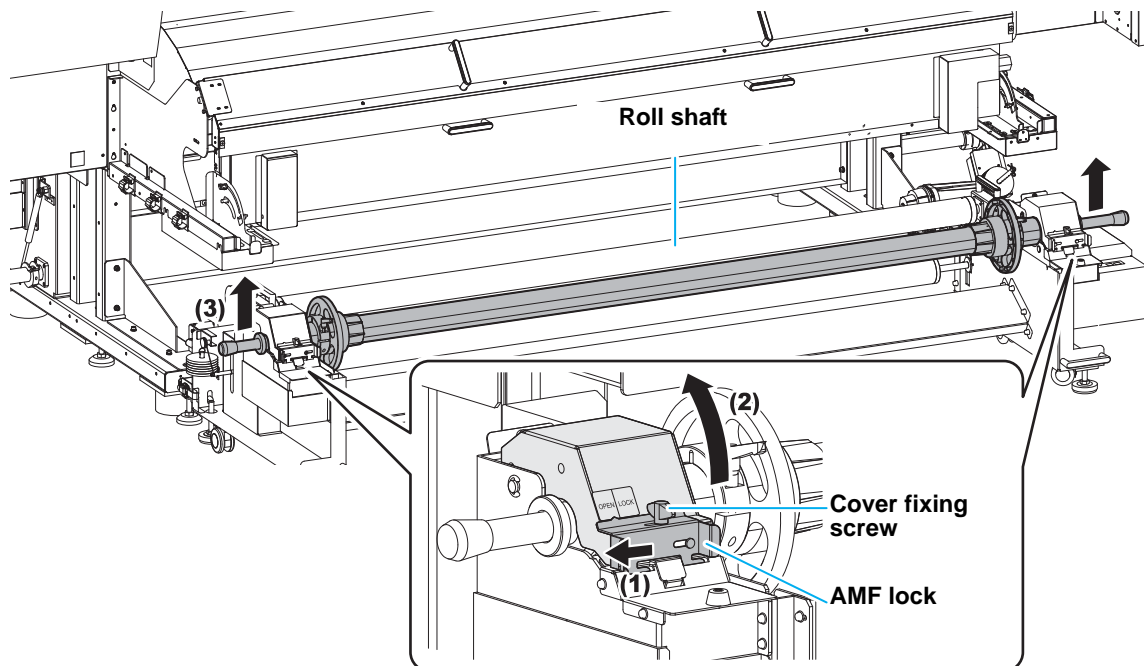
- When the weight of the roll media is added, the roll shaft becomes very heavy. (The roll shaft alone weighs 8.5kg.) Handle it with care. To avoid an accident or injury, be sure to grip the handles on both ends.



1

Remove the roll shaft on the take-up device at the front of this machine.

- Loosen the cover fixing screw attached to the cover of right/ left of take-up device and unlock the AMF lock by sliding it.
- Open the covers.
- Remove the roll shaft.



2

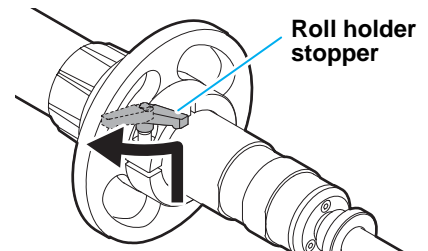
Basic Operations

2

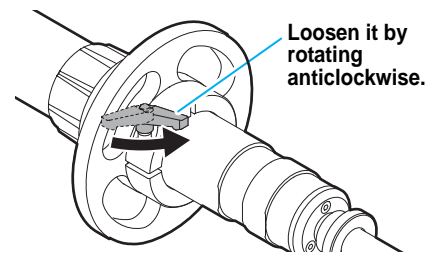
Remove the roll holders.

- The roll holders are on both for the right and left of the roll holder. Remove both with the procedures below:

(1) While lifting the lever of the roll holder stopper, rotate it to the position indicated in the figure.

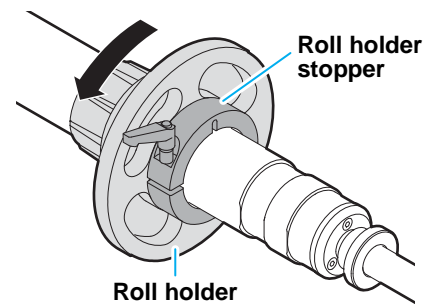


(2) Get off of the lever once, and rotate it to the direction indicated in the figure to loosen it.



(3) Repeat the Step (1) and (2) to release the lock of the roll holder.

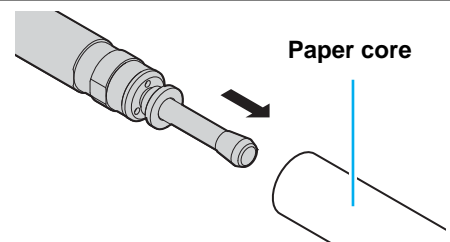
(4) After rotating the handle of the roll holder counterclockwise, take out the roll holder.



3

Attach the paper core.

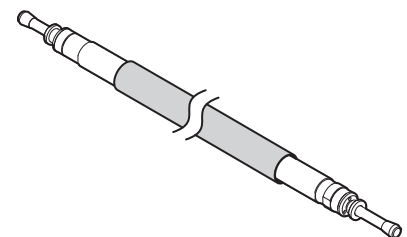
(1) Put the roll shaft through a paper core.



(2) Adjust the paper core so that it comes to the center of the roll shaft.

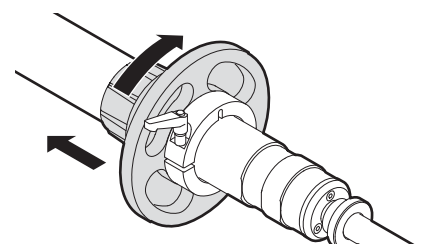


- When setting the paper core, be sure to adjust it so that it may come to the center of the roll shaft. If the media slants, it may cause media detection defect etc.



(3) Push right and left roll holders into the paper core, and rotate the handle of the roll holder clockwise.

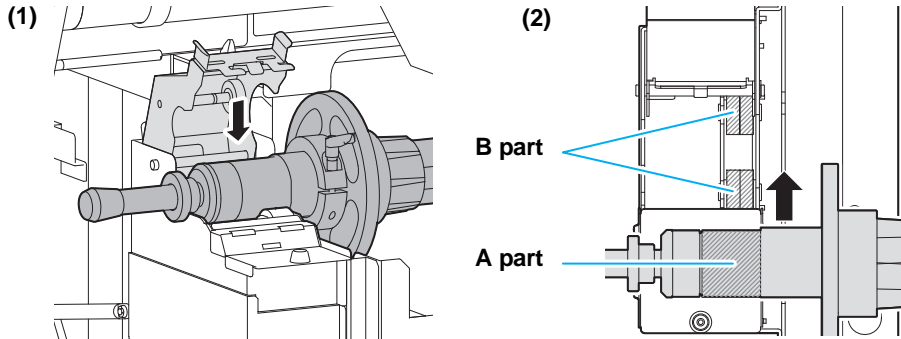
- Firmly insert it so that the paper core does not run idle.



4

Set the roll shaft with the paper core on the take-up device, and close the covers on the right and left sides of the roll shaft.

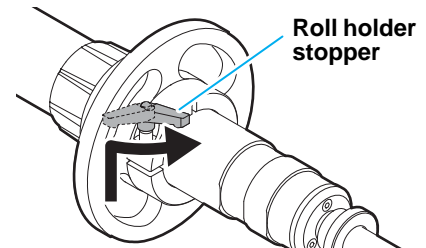
- Fitting the A part of the roll shaft to the B part bearing of the machine, put it on.
- After closing the cover, slide the AMF lock to the locking position and tighten the cover fixing screw.

**5**

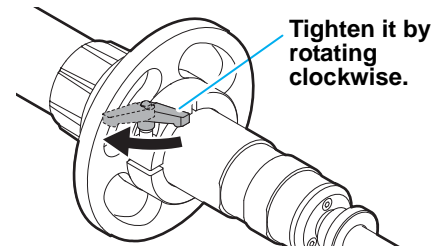
Fix the roll holder.

- The roll holders are at both of right and left. Fix both with the procedures below.

(1) While lifting the lever of the roll holder stopper, rotate it to the position indicated in the figure.



(2) Get off of the lever once, and rotate it to the direction indicated in the figure to tighten it.



(3) Repeat the Step (1) and (2) to lock the roll holder.

2

Basic Operations

Setting a Roll Media

Set a roll media to the feeding device on the back.

When setting a roll media, set “Setting the feeding and take up” of the machine setting to “ON”.



- Take care not to drop the media on your foot when setting the media.
- Handle clamp levers carefully.
Do not push the lever up when tension-bar is lifted. Be sure to fix the tension-bar with the lock and push up / down the lever.



When using the media take-up machine, be careful about the points below:

- Set the feeding side to match the print side.

1

Set both of “FEED” and “ROLL” in “Setting the feeding and take up” of the machine setting to “ON”. (P.3-24)

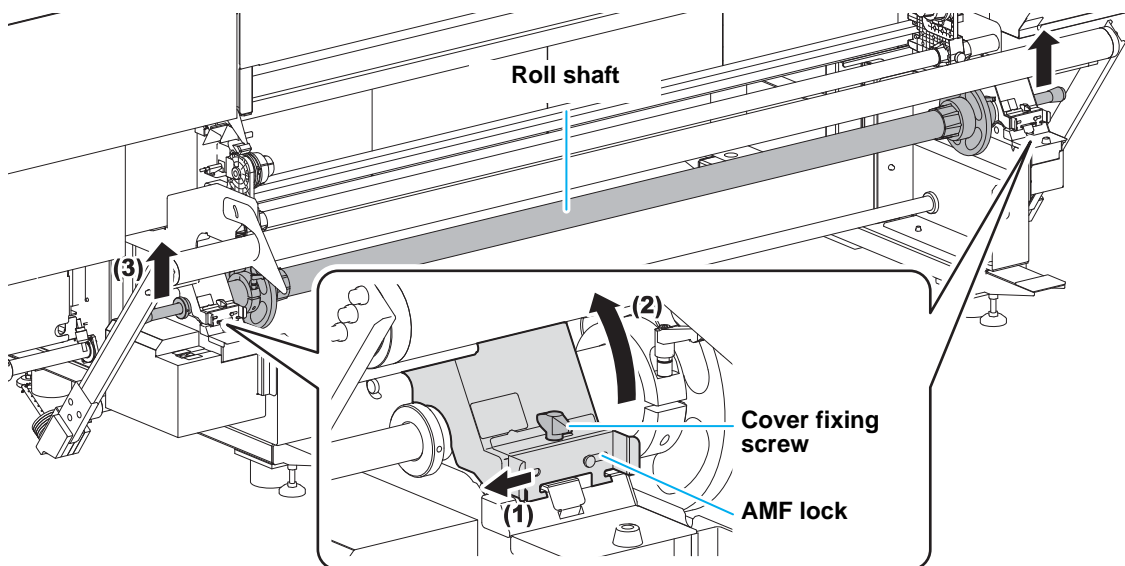


- When the media is set on the narrow roll holder, remove the media. In addition, move the narrow roll holder to the both edges of the machine. It may cause media feeding defect.

2

Remove the roll shaft on the feeding device at the back of this machine.

- (1) Loosen the cover fixing screw attached to the cover of right/ left of media feeding device and unlock the AMF lock by sliding it.
- (2) Open the covers.
- (3) Remove the roll shaft.



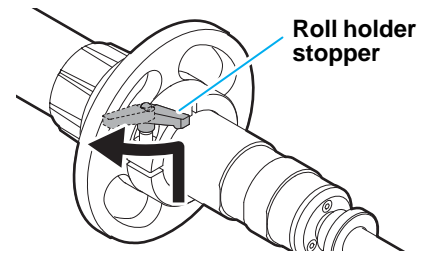
- When carrying the roll shaft, be sure to grip handles on the both ends. Gripping other parts, your hand may get stuck in the printer.
- To prevent dust, set paper core or media to the roll shaft on the table or sheet.
Dust on the paper core or the media may cause defective print.

3

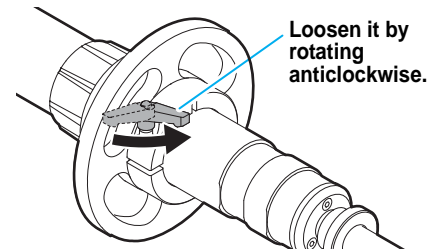
Remove the roll holders.

- The roll holders are on both for the right and left of the roll holder. Remove both with the procedures below:

(1) While lifting the lever of the roll holder stopper, rotate it to the position indicated in the figure.

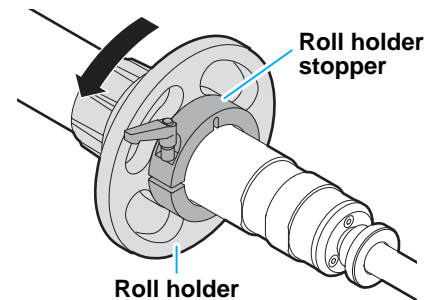


(2) Get off of the lever once, and rotate it to the direction indicated in the figure to loosen it.



(3) Repeat the Step (1) and (2) to release the lock of the roll holder.

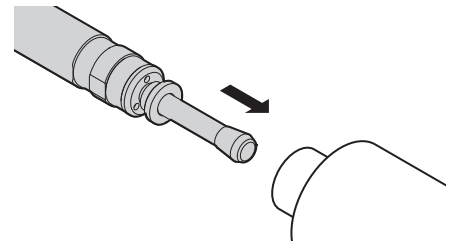
(4) After rotating the handle of the roll holder counterclockwise, take out the roll holder.



4

Set a media on the roll shaft.

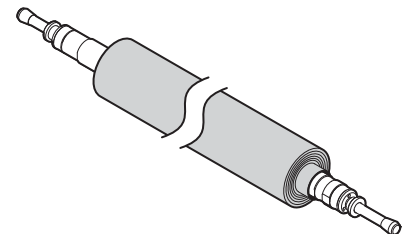
(1) Put the roll shaft through the paper core of the media.



(2) Adjust the media so that it comes to the center of the roll shaft.

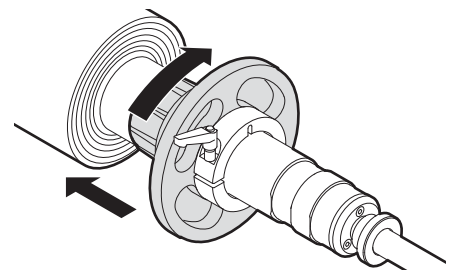


- When setting the paper core, set it so that it may come to the center of the roll shaft by referring to the media setting position nameplate attached with the main body.



(3) Push right and left roll holders into the paper core, and rotate the handle of the roll holder clockwise.

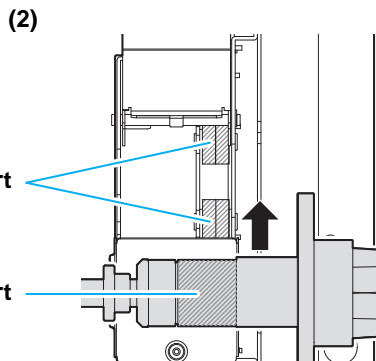
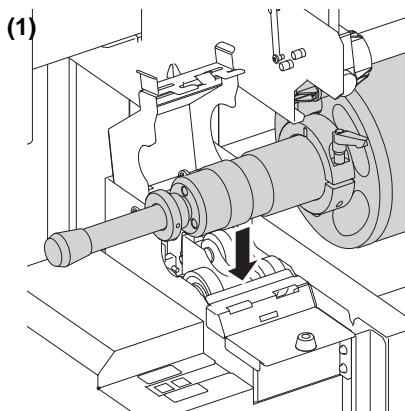
- Firmly insert it so that the paper core does not run idle.



5

Put the roll shaft with the media on the feeding device.

- Fitting the A part of the roll shaft to the B part bearing of the machine, put it on.
- Do not close the cover yet.



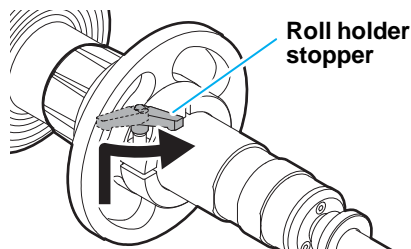
- Put the shaft on gently, not roughly.

6

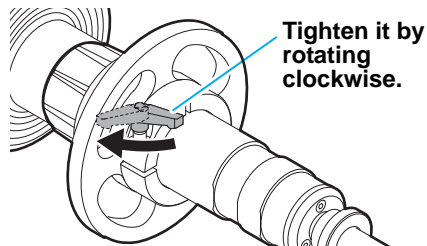
Fix the roll holder.

- The roll holders are at both of right and left. Fix both with the procedures below.

- (1) While lifting the lever of the roll holder stopper, rotate it to the position indicated in the figure.



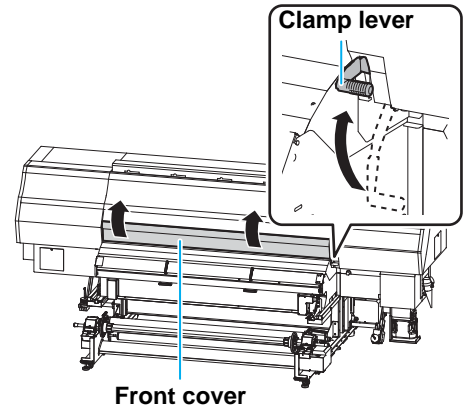
- (2) Get off of the lever once, and rotate it to the direction indicated in the figure to tighten it.



- (3) Repeat the Step (1) and (2) to lock the roll holder.

7

Open the front cover and raise the clamp lever at the front of this machine.

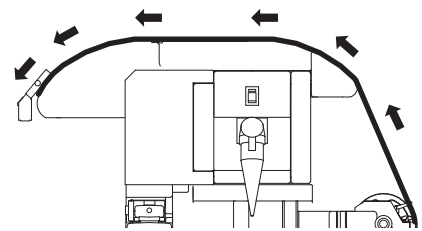
**8**

Slide the media from the back to the front.

- Insert the roll media between the platen and the pinch roller, and slide it to the front.
- Pull the media out to the front of this machine with enough length.

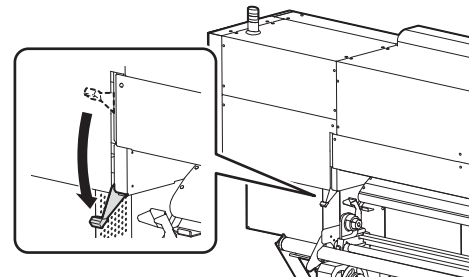
Important!

- When setting a media, be sure to cover the media sensors located on the rear of the platen. The media cannot be detected unless it is placed over the sensor.

**9**

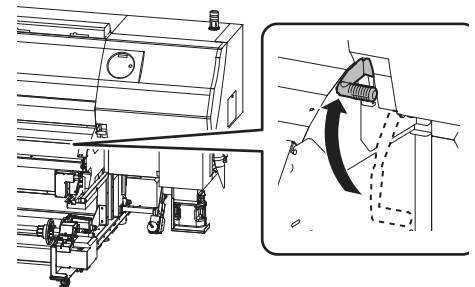
Push down the clamp lever from the back of this machine.

- Lock the media temporarily.

**10**

Raise the clamp lever at the front of this machine.

- Temporary lock of the media is released.



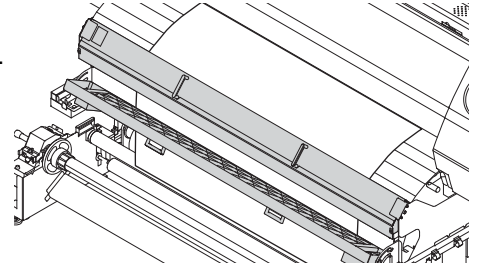
11

Pass the media under the UV shielding cover and the post cure unit.

- (1) Pass the media under the UV shielding cover.
- (2) Open the post cure unit to the front and pass the media.
- (3) Close the post cure unit.

Important!

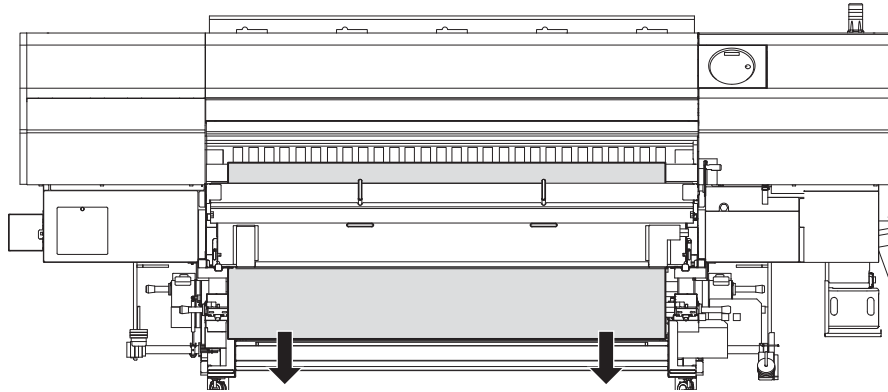
- When you open/ close the post cure unit, hold the handle at the front.



12

Pull out the media.

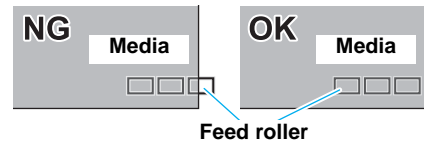
- Holding both sides of the media, pull it out so that the media top edge comes below the floor by about 50cm.
- To set the media straight, pull out the media long.



Important!

Check the position of the media edge surface and the feed roller.

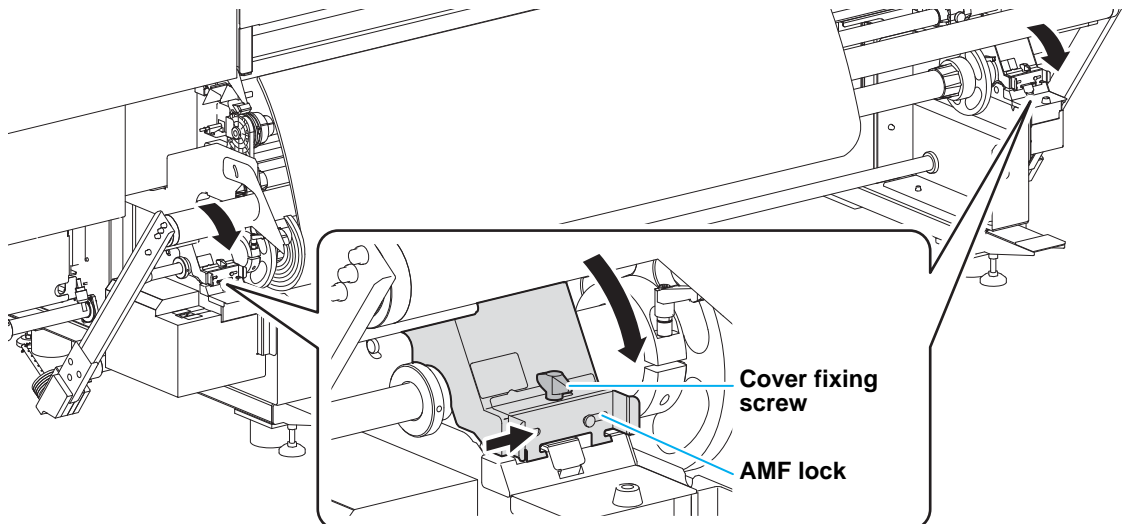
- When you clamp the media edge surface with the pinch roller and the feed roller, the quality of transferring media may be degraded. Before setting media, adjust the position of the roll holder fixing the media.



13

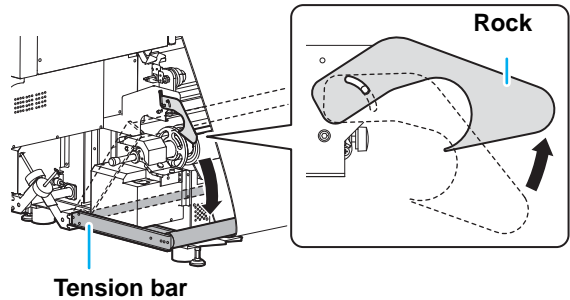
Close the covers on the right and the left sides of the feeding device at the back of this machine.

- After closing the cover, slide the AMF lock to the locking position and tighten the cover fixing screw.



14 At the back, lift the tension-bar down to the stopper slowly to tighten the media.

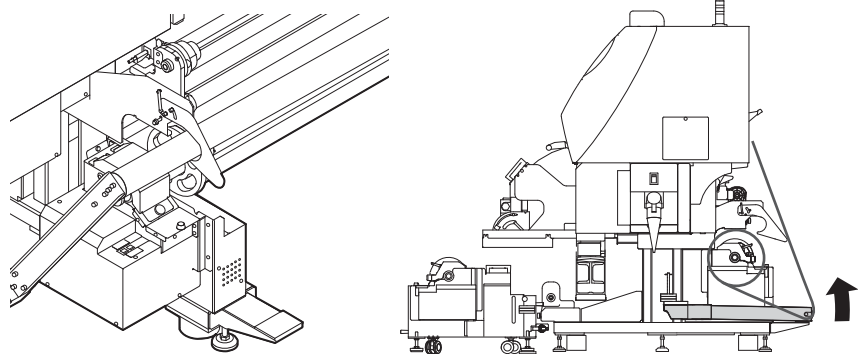
- Unlock the tension-bar, and then lift it down.



15 Push down the clamp lever.

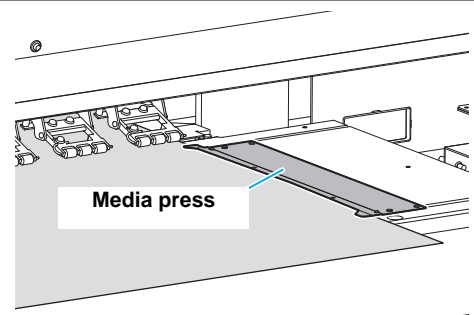
16 Adjust the position of the tension-bar with the switches on the left of the feeding device.

- (1) Set the \updownarrow switches to the take-up direction of the media.
- (2) Turn the left switch to [MANUAL].
 - The tension-bar is lifted, reeling the media. At this time, when the tension bar does not move upward even if the media is fed, change the \updownarrow switch.
- (3) When the tension-bar arm becomes parallel to the floor, turn the left switch to [AUTO] to stop the tension-bar.
- (4) Turn the \updownarrow switch to the feeding direction of the media.



17 Hold the media with the media press gently.

- Set the media so that no media sticks out from the right end pinch roller to the right side.
- When using a thick media, remove the media press from the media before printing.



- If the media gets to the right or the left too much, the next warning is displayed to inform you of it after media detection. By referring to the media setting position nameplate attached with the main body, reset the media.

ERROR 516
MEDIA SET POSITION R

ERROR 516
MEDIA SET POSITION L


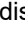
18

Close the front cover.

19


Press  to select "ROLL" .

MEDIA SELECT
ROLL < > LEAF



- Detects the media width and thickness.
- If the media thickness could not be detected, the error message is displayed. Enter the media thickness by referring to P.2-18 "When media thickness could not be detected".
- When you set "Media remaining amount display" and "Media detection" to "ON" and "MANUAL" ( P.3-25,P.3-31) in the machine setting, input screen for the media thickness and the remaining amount is displayed after detecting the media width. ( P.2-19)

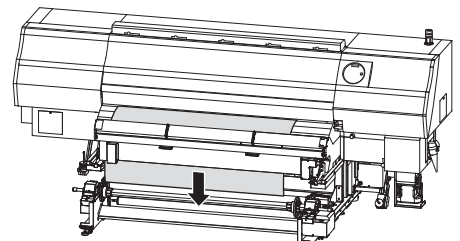
20

Secure the media on the take-up device.

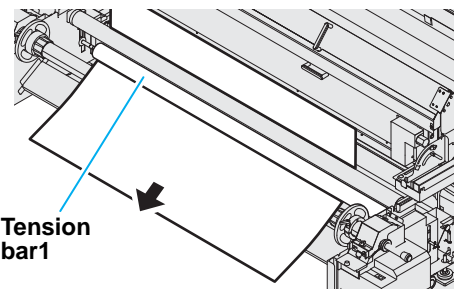
(1) Feed the media up to the core of the roll media of the take-up device by pressing .

Important!

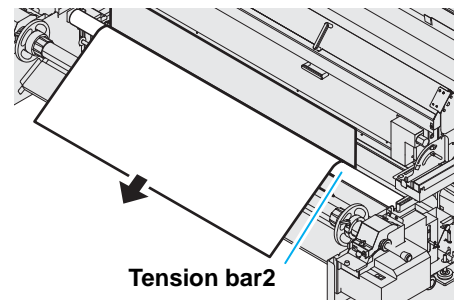
- Be cautious while pressing , because the take-up device operates. Press the  key to stop the take-up device after media feed.



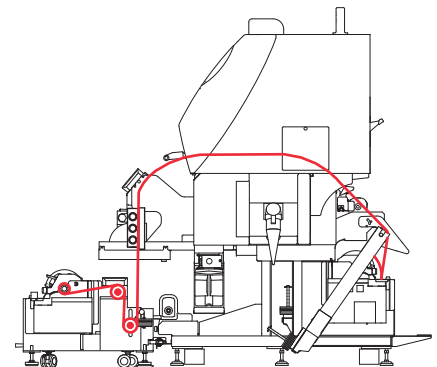
(2) Pass the media under the tension bar 1.



(3) Pass the media over the tension bar 2.

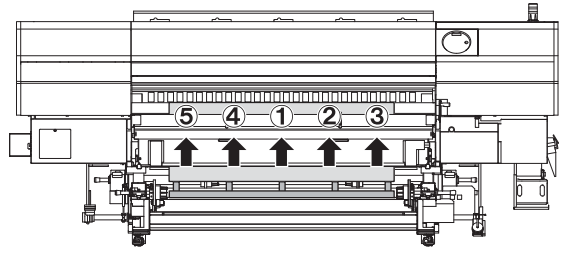


- Check the media path.
Set the media in the path indicated in the right figure.



(4) As shown in the figure, fix the paper tube to the media with tape according to the print surface to take up, so that the print surface becomes rolled outward.

- While raising the tension bar a little to prevent the media from getting wrinkled, fix several positions with tape in order in the figure.



- The figure shows the case where the media is rolled inward. When it is rolled outward, fix it with tape to make it other way around.
- Surface waviness or ruck may affect the quality of currently printed image. When fixing media with tape, align the media along the direction indicated with an arrow in the figure.
- If you pull the media too much when fixing with tape, the media tension may not be even. And, it may negatively affect the media feeding.

21

Press   to take up the media to the paper tube.



- Please leave the left switch to [AUTO].

22



Press   to lift the tension-bar up and to stretch the loosened media.

- Turn the switch to [AUTO]. Tension-bar lifts, taking up the media, and automatically stops at the proper position.



- **When the tension bar does not move upward even if you press the   switch, stretch the slack media by operating the switch.**
 - (1) Set the $\uparrow\downarrow$ switch to the take-up direction of the media, and turn the switch to [MANUAL]. (The tension-bar is lifted.)
 - When the media is fed and the tension-bar is not lifted, turn the $\uparrow\downarrow$ switch to the other side.
 - (2) When the tension bar arm becomes parallel with the floor, turn the switch to [AUTO] to stop the tension bar.
 - (3) Turn the $\uparrow\downarrow$ switch to the take-up direction of the media.
- The media between the take-up device and carriage cannot be printed.

Important!

- If keep pressing   while the media is not attached to VTTS, the error message "ERROR425 Take UP WRONG" is shown on the display.

When media thickness could not be detected



There may be a case where the media thickness cannot be detected properly depending on the media. In such a case, the media thickness must be input manually.

1

An error is displayed, and the carriage returns to the station.

```
ERROR510
THICKNESS DETECT
```

2

Press   to enter the media thickness (0.1 to 1.0mm).

```
MEDIA THICKNESS
=                0.1mm
```

3


Press the  key.

- The media selection screen is displayed.

```
MEDIA SELECT
ROLL <          > LEAF
```

4

Press   to select "ROLL" or "LEAF".

- Detects the media width.
- Thickness detection is also performed here if the  key is pressed at step 2 above.

About entering media thickness and remaining amount

When you set “Media remaining amount display” and “Media detection” to “ON” and “MANUAL” (☞ P.3-25,P.3-31), input screen for the media thickness and the remaining amount is displayed after detecting the media width.



1

Display the screen for entering media thickness.

- When you set the MEDIA THICKNESS to “AUTO” in the “Media detection” of the machine setting, this screen is not displayed. (☞ P.3-31)

MEDIA THICKNESS
= 0.1mm

2

Press   to enter the media thickness (0.1 to 1.0mm).

MEDIA THICKNESS
= 0.1mm

3

Press the  key.

4

Display the screen for entering media remaining amount.

- When you set “Media remaining amount display” of the machine setting to “OFF”, this screen is not displayed. (☞ P.3-25)

Input of MediaLength
= **.*m

5

Press   to enter the media remaining amount.

Input of MediaLength
= **.*m

6

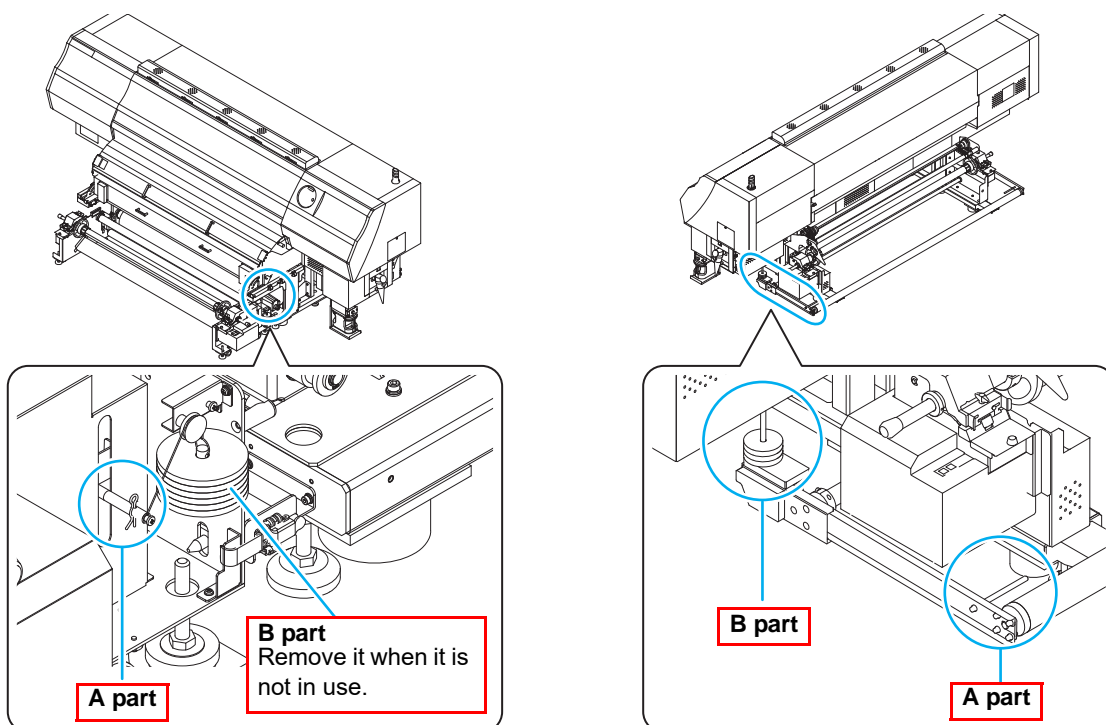
Press the  key.

2

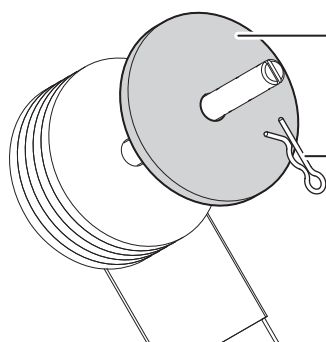
Installing the counter weight for adjusting the tension-bar weight

Install the proper number of the counter weight depending on the media type. Depending on the attaching position of the counter weight, you can adjust the tension bar weight. (If you attach it on the A part in the next pages figure, it may be heavier, and on the B part, it may be lighter.) You can attach the counter weight up to 5 each for right and left.

Media condition	Solution
Ruck is generated in the media feeding direction.	The tension applied on the media is too strong. Attach counter weights to the B part on the take-up device and feeding device, in equal amounts.
The media skews at printing.	
The media sags and the machine cannot take it up beautifully.	The tension applied on the media is too weak. Attach counter weights to the A part on the take-up device and feeding device, in equal amounts.
The media floats on the platen.	

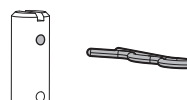


● Way to attach weight



Attach the weight on the rear side of the machine when you want to make the take-up tension bar lighter. In addition, when you want to make the feeding tension bar lighter, attach the weight on the rear side of the machine.

After attaching the counter weight, clip it to prevent falling. Insert the clip into the hole on the stick to attach the counter weight.



- The counter weight is very heavy. Handle it with care. If your finger or foot is stuck in the weight, you may be injured.



- Not to lose the unused counter weight, put it in the storage box.

Setting a narrow roll media

When you use narrow roll media (up to 1m), set the media on the narrow roll holder.

Important!

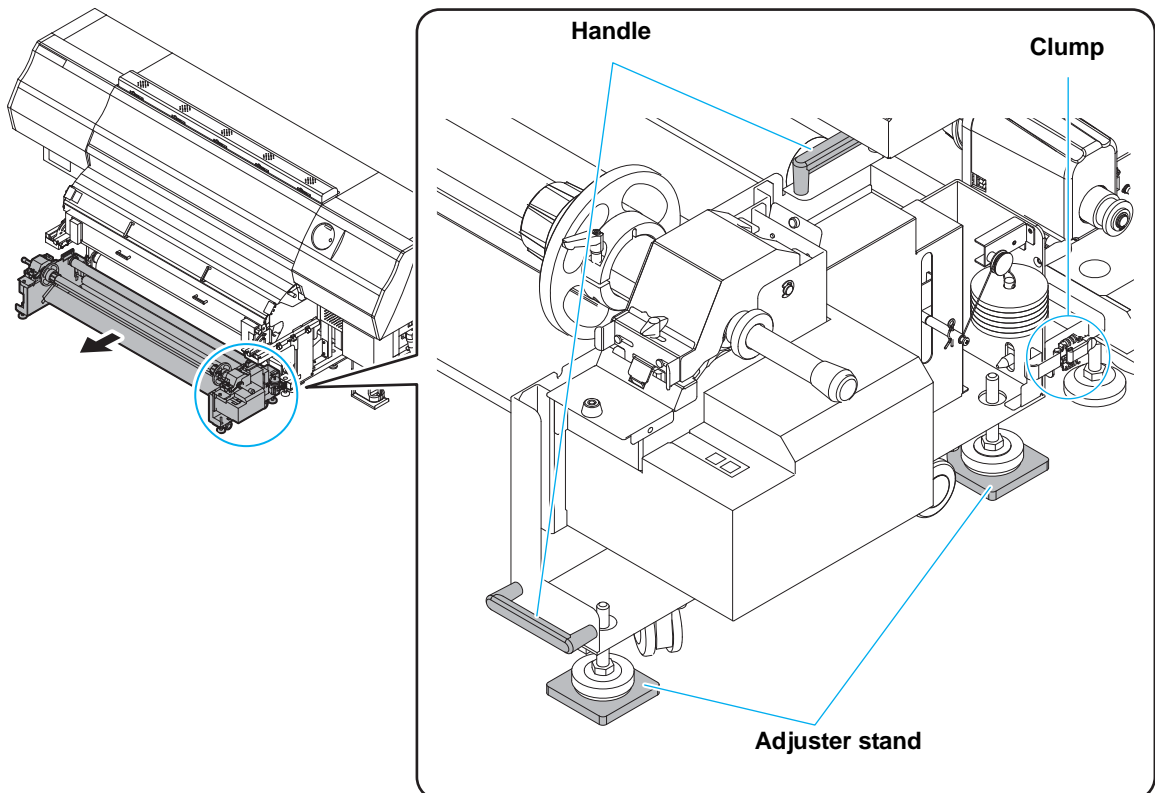
When using the media take-up machine, be careful about the points below:

- At the feeding side, set the printed surface to “revoluted” (inside out).
- At the take-up side, set the printed surface to “involuted”. (If you set it to “revoluted”, it may adversely affect the media feeding.)

1

Remove the take-up VTTS at the front of the machine.

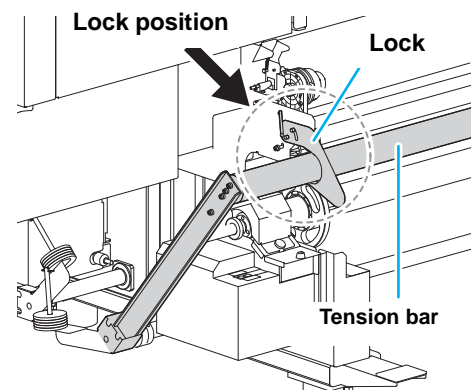
- (1) Remove the adjuster stand adjusting the take-up VTTS height.
- (2) Remove the clamp at both sides of the take-up VTTS.
- (3) Hold the handle and pull it to the front.



2

Fix the tension bar of the rear surface side on the locking position.

- The tension bar lock is on the left side of the machine rear surface. Raise the tension bar and fix it with the lock.



- Be sure to handle the tension-bar gripping outside of the lock. Gripping other parts, your hand may get stuck in.

2

Basic Operations

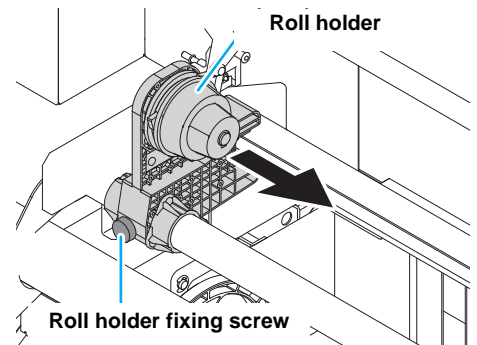
3

Set the setting of the feeding unit to “OFF” in “Setting the feeding and take up” of the machine setting. (☞ P.3-24)

4

Move the roll holder on the back of this machine.

- Loosen the roll holder fixing screw and then move it.
- Move the roll holder to the position where the media may be right seen from the front of the machine.

**5**

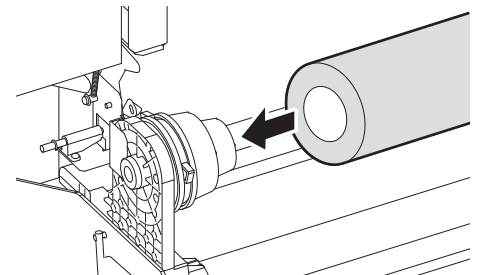
Tighten the roll holder fixing screw.

- Check the Steps 2 to 3 again.

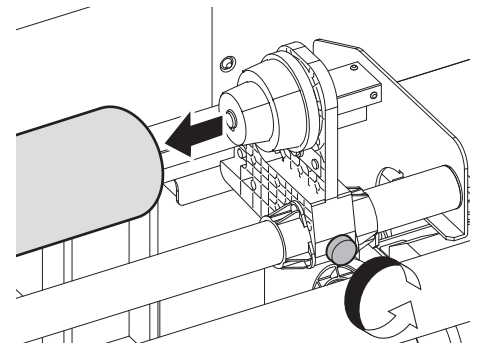
6

Set the left end of the core of the roll media on the left roll holder.

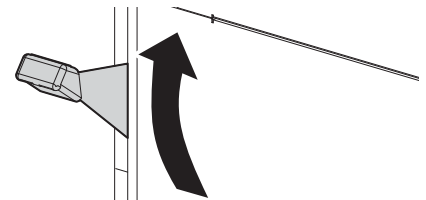
- Push the roll media onto the roll holder until the roll core is all the way seated.

**7**

Loosen the screw of the right roll holder, and insert the holder into the paper core.

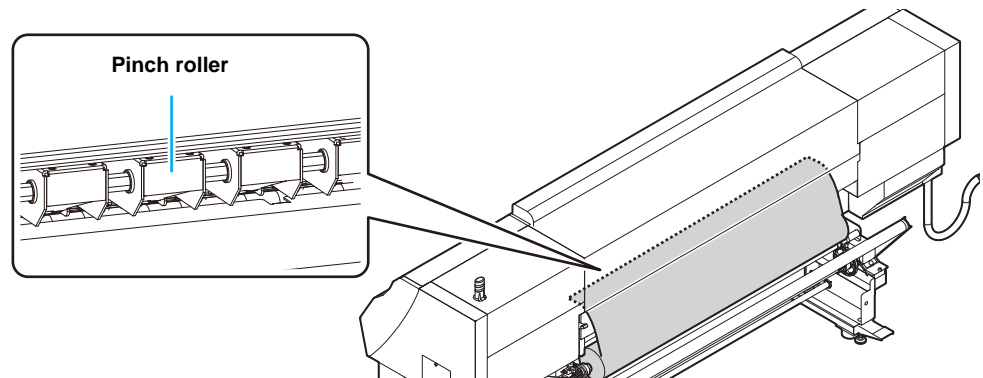
**8**

Raise the clamp lever in the rear side of this machine.



9

Insert the roll media in this machine.

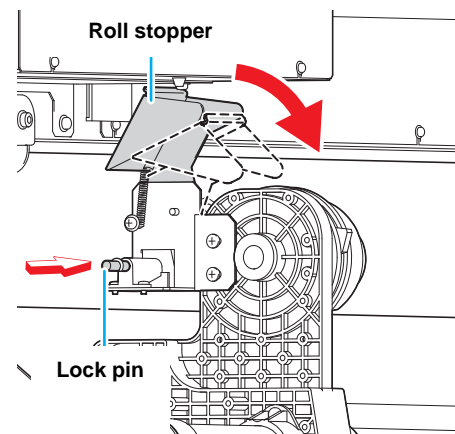


- The roll media can be smoothly inserted by slanting the media.
- (1) Pull the media out of the roll to the head of the platen.
- (2) Insert the media between the platen and the pinch roller.
 - Pull the media out of the roll so that the media can be grasped from the front of the machine.
- (3) Push down the clamp lever from the back of this machine.
 - The media is held.

10

Locking the roll stopper.

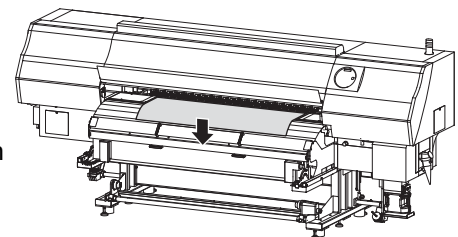
- (1) Pull the roll stopper in the direction shown right.
- (2) Press the lock pin to hold the roll stopper.



11

Pull out the roll media out.

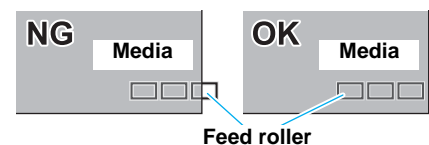
- (1) Open the front cover.
- (2) Raise the clamp lever from the front of this machine.
- (3) Pull out the roll media gently and then stop pulling when locked lightly.



Important!

Check the position of the media edge surface and the feed roller.

- When you clamp the media edge surface with the pinch roller and the feed roller, the quality of transferring media may be degraded. Before setting media, adjust the position of the roll holder fixing the media.



12

Push down the clamp lever from the front of this machine.

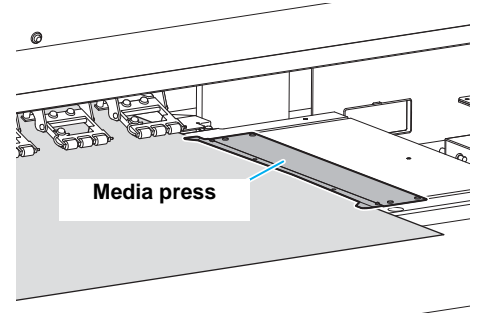
2

Basic Operations

13

Hold the media with the media press gently.

- Set the media so that no media sticks out from the right end pinch roller to the right side.
- When using a thick media, remove the media press from the media before printing.



14

Close the front cover.

15


Press the key to select "ROLL" .

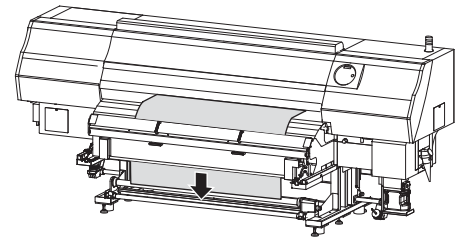
- Detects the media width.
- When [MEDIA RESIDUAL] of the machine setup is "ON" (P.3-25), the screen for entering media remaining amount is displayed after detecting the media width.(P.2-19)



16

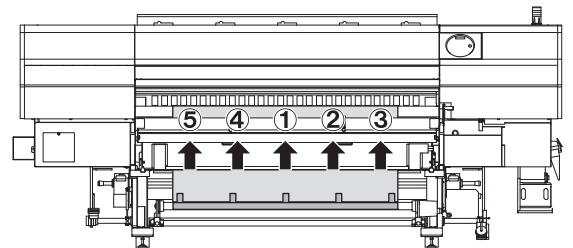
Secure the media on the take-up device.

- (1) Feed the media up to the core of the roll media of the take-up device by pressing .
- (2) Pass the media under the UV shielding cover and the post cure unit.



- (3) As indicated, fix the media on the paper core with tape so that the printed surface may be "involuted".

- Along the paper core, fix the media on several positions with tape in the order in the figure so that the media may not wrinkle.



- Surface waviness or ruck may affect the quality of currently printed image. When fixing media with tape, align the media along the direction indicated with an arrow in the figure.
- If you pull the media too much when fixing with tape, the media tension may not be even. And, it may negatively affect the media feeding.

Setting leaf media

Unlike roll media, leaf media does not need to be retained with the roll holders.

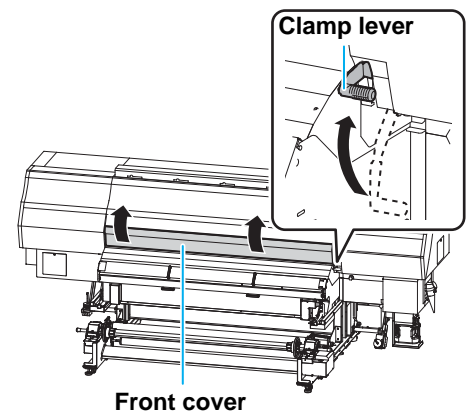
Important!

Notes about printing on leaf media

- When using leaf media, open the post cure unit to load the media. If you print with the post cure unit closed, the edges of the media might become caught in the post cure unit and clog the printer.
- The ink might not cure depending on the print mode or the status of the LED UV. If the edge of the media is in the post cure unit at such time, close the post cure unit. This will allow the ink to be cured by the post cure unit.
- If the edge of the media becomes caught in the post cure unit because the post cure unit was closed while printing, take the following actions:
 - (1) Open the post cure unit.
 - Printing is cancelled when the post cure unit is opened.
 - (2) Feed the media, and then close the post cure unit.
 - (3) Press the **REMOTE** key to restart printing.

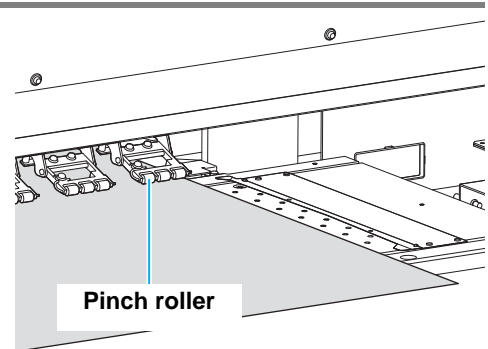
1 Open the front cover.

2 Raise the clamp lever.



3 Insert the leaf media between the platen and the pinch rollers.

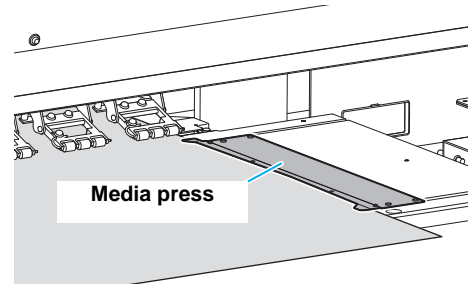
- Set the media so that no media sticks out from the right end pinch roller to the right side.
- Set the media so that the media end does not reach the slot of the post-heater.



4

Hold the media with the media press gently.

- Set the media so that no media sticks out from the right end pinch roller to the right side.
- When using a thick media, remove the media press from the media before printing.



- If the media gets to the right or the left too much, the next warning is displayed to inform you of it after media detection. By referring to the media setting position nameplate attached with the main body, reset the media.

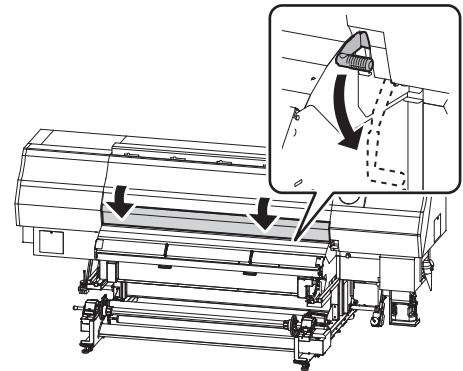
ERROR 516
MEDIA SET POSITION R

ERROR 516
MEDIA SET POSITION L

5

Push down the clamp lever.

- Set the media straight.



6

Close the front cover.

7

Press the **ENTER key.**

8

Press the **▶ key to select "LEAF" .**

MEDIA SELECT
ROLL < > LEAF

9

The media detection is started.

- (1) The media width is detected.
- (2) It returns to the LOCAL when the detection is completed.

** MEDIA DETECT **






Changing the printing origin

The position of the printing origin can be changed.

- 1** In Local, Press    .
- It enters into the origin setting mode.

```
ORIGIN SETUP
0.0      - - - -
```

- 2** Press     to set the origin to a desired position.

- Select the carriage and media, moving the point with    .
- When you press the  key here, you can perform media cutting.

```
ORIGIN SETUP
0.0      0.0
Origin   Origin
(Length) (Width)
```


- 3** After determining the origin, press the  key.

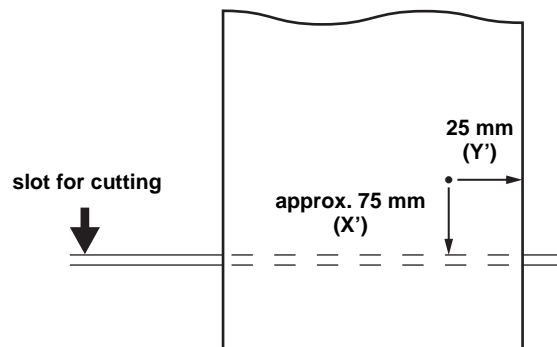
- The printing origin is changed.

```
ORIGIN SETUP
** ORIGIN **
```

Typical setting position of printing origin

The printing origin in the depth direction (X') is positioned at about 75 mm rearward from the slot for cutting on the platen. The printing origin in the scanning direction (Y') is positioned at 15 mm from the right end of the media. The value in the scanning direction (Y') can be changed using [MARGIN] in FUNCTION mode.

( P.3-2) This can be changed by using the Jog key.



Preparing for the Heaters

Changing the Temperature Settings for the Heaters

Set the heater temperature.

Depending on the media and the profile to use, set the heater temperature.

- It may take several minutes to tens of minutes for the set temperature to be reached, depending on the ambient temperature.



- You can change the temperature set here also in [HEATER] of the [SETUP] menu. (☞ P.3-4)

1

Press the **HEATER** key.

PRE	PRT	POST
35 °C	40 °C	50 °C

Heater temperature confirming display

2

Press the **HEATER** key.

Heater temperature set in this machine

OFF	OFF	OFF
(23 °C	23 °C	23 °C)

Current heater temperature

3

Press **▲** **▼** **◀** **▶** to set the temperature of each heater.

Heater selecting : Select with **◀** **▶**
Temperature setting : Set with **▼** **▲**

- The heater starts to get hot. (The [HEAT] lamp lights in orange.)
- When the heater temperature reaches the set temperature, the [HEAT] lamp goes off and the [CONSTANT] lamp lights in green.

The settable temperature of PRE and PRT: 20 to 60°C

The settable temperature of POST: 20 to 70°C

40 °C	40 °C	50 °C
(23 °C	23 °C	23 °C)

4

Press the **ENTER** key to end the setting.



- The Heater temperature is controllable at the RIP side if the RIP in use has a function controllable. (For the setting procedures, refer to the instruction manual of the RIP in use.)

Important!

- Use this machine under 20 to 30°C. The temperature may not reach the set value due to the environmental temperature condition.

Checking the Heater Temperature

1

Press the **HEATER** key.

- The current heater temperature is displayed.

PRE	PRT	POST
35 °C	40 °C	50 °C

2

Press the **END** key at the end of confirmation.



- The screen returns to LOCAL.

Test Feeding


Perform this function before printing, and check whether the media can be fed normally.



- 1** Press the **TEST PRINT/CLEANING** key in LOCAL three times.

TEST FEED
[ENT]
- 2** Press the **ENTER** key.


BACKWARD FEED
: ON
- 3** Press   to select ON/OFF.

BACKWARD FEED
: ON

 • When setting "ON", rewind the roll media to take up the slack before printing.
- 4** Press the **ENTER** key.

POST CURE
: ON
- 5** Press   to select OFF.


POST CURE
: OFF

 • When "Manual Drying Feed" is operated, select "ON". (☞ P.2-40)
- 6** Press the **ENTER** key.

TEST FEED
START [ENT]
- 7** Press the **ENTER** key.

 - Start test feeding.

** TEST FEED **
PLEASE : WAIT

 • For "manual Drying Feed", when you open the shading cover while the post cure lights, the post cure is turned off. However, the operation will continue.
- 8** Press the **END** key.

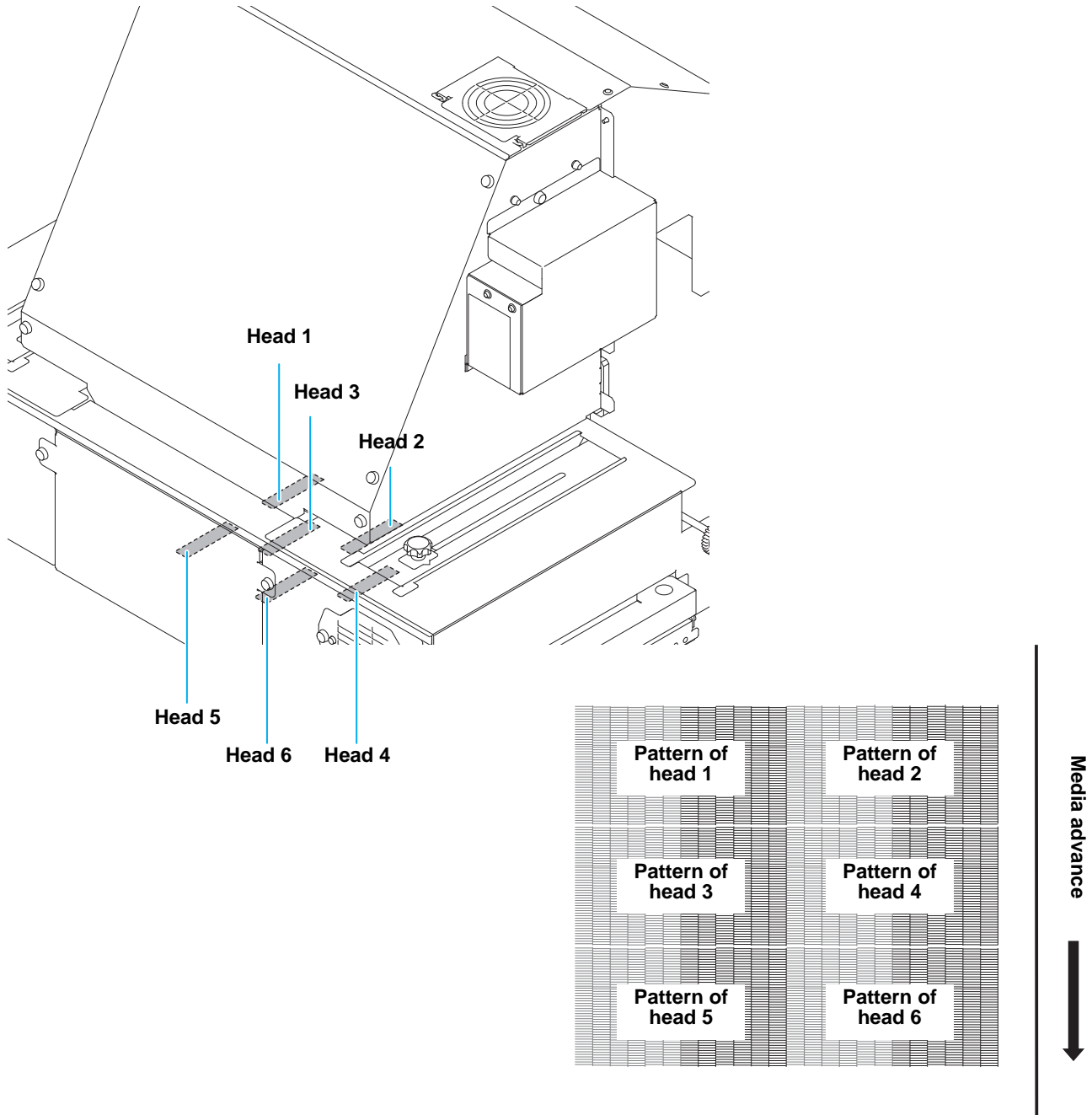
 - The feeding operation is continued until you press the **END** key.
 - Feed it to some extent and check the feeding status, and then press the **END** key to terminate.

Test Printing

Print a test pattern to check that there are no discharging defects such as nozzle clogging (slight touching of ink or nozzle missing).

Relationship between head row and test pattern

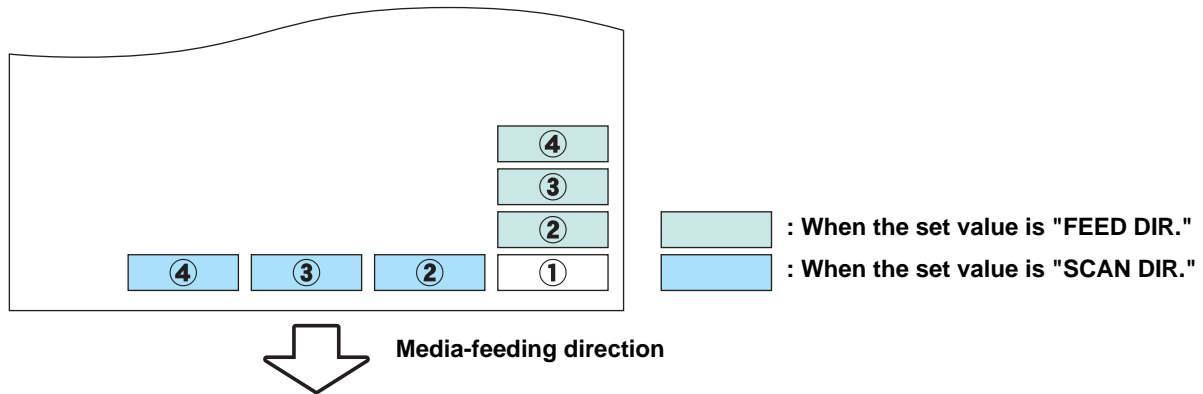
The relations between head row and test pattern print position are as follow.



Test Printing

Print a test pattern to check that there are no discharging defects such as nozzle clogging (slight touching of ink or nozzle missing).

In addition, you can select the orientation of the test pattern to print from two types in order to perform test printing repeatedly. Select one depending on your use.



Check before test printing.	• If a media has been set P.2-5	• If the origin position has been set
	• If the head height has been adjusted P.2-5	

1 Press the **TEST PRINT/CLEANING** key in LOCAL.

- Press to change the test pattern orientation.

TEST PRINT
(FEED DIR.) [ENT]

2 Press the **ENTER** key.

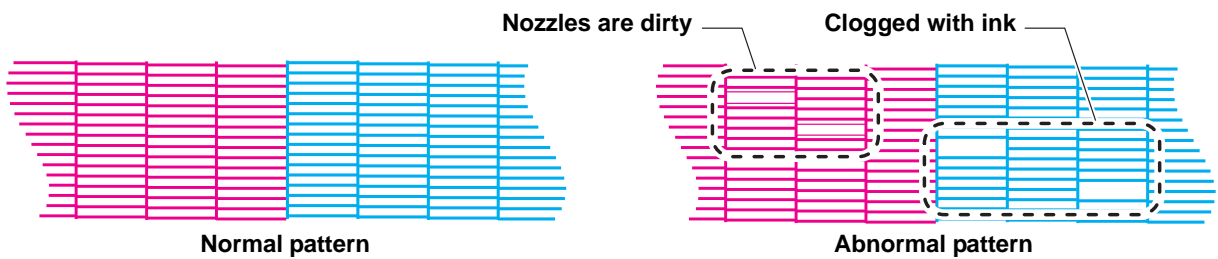
- Test printing starts.
- When the printing has been completed, the screen returns to step 1.

** PRINTING **
PLEASE WAIT

TEST PRINT
(FEED DIR.) [ENT]

3 Check the printed test pattern.

- When the result is normal, end the operation.
- When the result is abnormal, perform head cleaning. (P.2-32)



Head Cleaning

About head cleaning

Check the printed test pattern result and perform cleaning depending on the status.
Select one from the three types below:

- SOFT** : When lines are bent, when any line is missing
- NORMAL** : When any line is missing, when colors are mixed
- HARD** : When poor image quality cannot be improved even by NORMAL or SOFT cleaning

Perform head cleaning depending on the test printing result

There are three types of head cleaning. Use one by checking the test pattern.

- 1** In Local, Press the **TEST PRINT/CLEANING** key twice. CLEANING
SOFT [ENT]
- 2** Press **▲** **▼** to select the cleaning type. CLEANING
NORMAL [ENT]
 - SOFT** : When lines are bent, when any line is missing
 - NORMAL** : When any line is missing, when colors are mixed
 - HARD** : When poor image quality cannot be improved even by NORMAL or SOFT cleaning
- 3** Press the **ENTER** key. SELECT HEAD
: 12
- 4** Press **▲** **▼** to select a head to cleaning. SELECT HEAD
: 1_
 - Set Value : 12 (Cleaning all heads.)
 - 1_ (Head of Group 1)
 - _2 (Head of Group 2)

Rear side of machine

Group 1 Group 2

5

Press the **ENTER** key.

** CLEANING **
00:00:00

6

Perform test printing again, and check the result.

- Repeat the cleaning and the test printing until the drawing result becomes in normal.



When the image quality is not improved after the head cleaning.

- Clean the wiper and ink cap. (☞ P.4-6)
- By referring to “When Nozzle Clogging Cannot Be Solved”, set the nozzle recovery (☞ P.4-23).

Set the media feeding

Correct the feeding rate of media.

If the correction value is not appropriate, stripes may appear on the printed image, thus resulting in a poor printing.

Important!

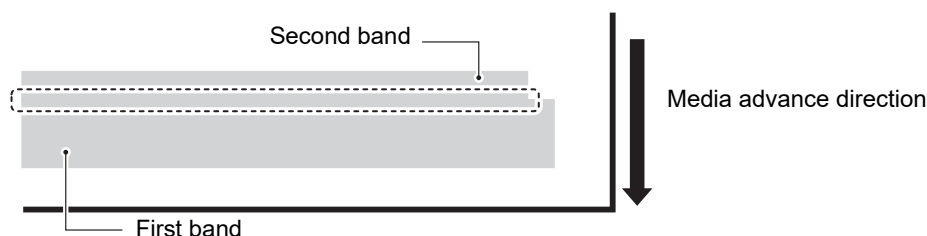
- When you have changed the media type, check the pattern and perform adjustment depending on the status.
- When you have changed the temperature of the heaters, make sure that the [CONSTANT] lamp lights up and that the preset temperature is reached, and then start the correction.
- When printing with a take-up device, set the media first and then perform media correction.

Setting Feed Correction

A pattern for media correction is printed and a media-feeding rate is corrected.



- Two bands are printed in the correction pattern.
- Make adjustment so that an even color density is obtained in the boundary between the two bands.



1

Set a media. (👉 P.2-5)

2

Press the **ADJUST** key in LOCAL.

FEED COMP. [ENT]

3

Press the **ENTER** key.

FEED COMP. PRINT [ENT]

4

Press the **ENTER** key to print a correction pattern.

** PRINTING **
PLEASE WAIT

5

Check the correction pattern and enter a correction value.

FEED COMP. = 0

Enter a correction value in "+": The boundary between the two bands is widened.

Enter a correction value in "-": The boundary between the two bands is narrowed.



- When you change the correction value by "20", the band moves about 0.01mm. By referring to this correction amount, determine the correction value.

6

Press the **ENTER** key.

- Print a correction pattern again and check it.
- When media correction is needed, perform the operation in Step 5 to make correction.

```
FEED COMP .
PRINT           [ ENT ]
```

7

Press the **END** key several times to end the setting.

Performing the station maintenance without **ADJUST** key

You can select "FEED COMP." by using the **FUNCTION** key in the Local without pressing the **ADJUST** key.

Press the **FUNCTION** key in Local.

Press **▲** **▼** to select [SETUP].

Press the **ENTER** key twice.

- The screen in the Step 3 is displayed. Perform the procedures from the Step 4.

Correcting Media-feeding during Printing

A media-feeding rate can be corrected even in the remote mode or when image data is printed.

1

Press the **FUNCTION** key in the Remote.

```
*REMOTE*
          * . * mm
```

```
FEED COMP .
  0 ▶ 0
```

Current [FEED COMP.] value

2

Press **▲** **▼** to enter a corrected feeding rate.

- Corrected feeding rate: -9999~9999
- The value entered here is reflected in the corrected feeding rate soon.

3

Press the **ENTER** key.

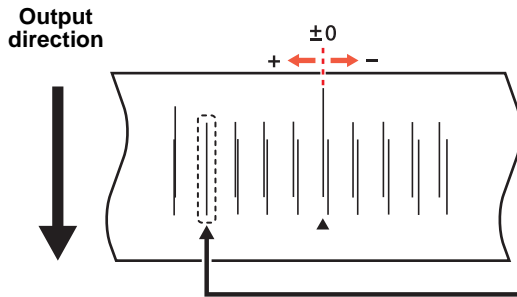
- The changed value is registered.
- When you press the **ENTER** key instead of the **END** key, the value entered here will be invalid.

```
*REMOTE*
          * . * mm
```

Correct the ink drop position for bidirectional printing

When the condition for printing (media thickness/head height/etc.) has been changed, perform the following operation to correct the ink drop position for bidirectional (Bi) printing and obtain the proper printing result.

Example of a Drop Position correct Printed Pattern



The dots at the fourth position counted from the zero position in the positive direction form a straight line. In this case, the dot position correction value is 4.0.

1 Set a media on the machine and set a printing origin.
(☞ P.2-5)

2 Press the **ADJUST** key twice in LOCAL.

DROP.POScorrect
[ENT]

3 Press the **ENTER** key.

DROP.POScorrect
:Y600dpi

4 Press **▲▼** to select the resolution.

- Setting value: Y600dpi / Y300dpi / Y1200dpi/ ALL
- Perform correction for all resolutions.
- Select "ALL" to print all the resolution patterns at once.

DROP.POScorrect
:Y600dpi

5 Press the **ENTER** key.

DROP.POScorrect
PRINT [ENT]

6 Press the **ENTER** key to start pattern printing.

- Test pattern is printed. (The printed patterns are called Pattern 1, Pattern 2, Pattern 3... in the order of printing.)

** PRINTING **
PLEASE WAIT

7 Press **▲▼** to correct the dot position of Pattern 1~.

- Corrected feeding rate: -40.0 to 40.0
- Check the test patterns. The position where an outward feeding line and a return feeding line become one straight line is the correction value.
- When the correction value is not between -40.0 and 40.0, adjust the head gap and then perform the operations in Step 2 and later.

Y600dpi Std
= 0.0

8

By pressing the **ENTER** key, register the correction value.

- The screen to correct the next pattern is displayed. Repeat the procedures from the Step 9 to correct all patterns.
- After correcting all patterns, perform the procedures in the Step 7.

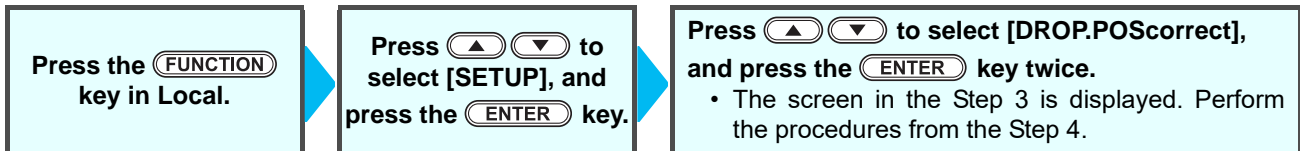
Y600dpi Hi	
=	0.0

9

Press the **END** key several times to end the setting.

Performing to correct the dot position without **ADJUST** key

You can select "DROP.POScorrect" by using the **FUNCTION** key in the Local without pressing the **ADJUST** key.



Printing Data

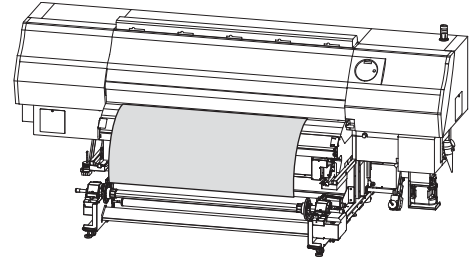
Starting a Printing Operation

Important!

- When using a roll media, rewind the media by hand before printing so that it is not loose. When the roll media has not been rewound tightly, it may cause the image quality to deteriorate.

1

Setting a Media (👉 P.2-5)



2

Checking the Heater Temperature

- Check the CONSTANT lamp lights in [PRE], [PRINT], and [POST] below the display.



3

Press the **REMOTE** key in LOCAL.

- If the heater temperature has not reached the setting value, the right screen is displayed. Even if it has not reached, you can move to REMOTE when pressing the **ENTER** key.
- The screen changes to REMOTE, and data can be received from the PC.

TEMPERATURE CONTROL!
PLEASE WAIT

4

Transmit data to be printed from the PC.

- The printing conditions are displayed.
- For the method of data transmission, see the instruction manual for the output software.

5

Start printing.

Resolution : 600 /900 DPI

With/ without nozzle recovery setting
(Operates with nozzle recovery enabled when "R" is displayed)

With/ without MAPS setting
MP1 : MAPS1
MP2 : MAPS2

Heads used for printing

600x900 R/MP2/ALL
6 . Bd . Nd . x2 x x . x xm

The length of media drawn

Scanning speed
x1 : Standard speed
x2 : Double speed

Data type
VD : Variable data
ND : Normal data

Scan direction
Ud : Unidirectional
Bd : Bidirectional

Number of passes

Stopping a printing operation halfway

Perform the following operation when stopping a printing operation halfway.

1 Press the **REMOTE** key during printing.

- The printing operation stops.
- Interrupt data sending at the PC side during the data is sent from the PC.
- Printing restarts from the interrupted data by repressing the **REMOTE** key.

<LOCAL>
DATA REMAIN

Deleting Received Data (Data Clear)

When you want to stop printing, delete the already received data.

1 Press the **DATA CLEAR** key in LOCAL.

DATA CLEAR [ENT]

2 Press the **ENTER** key.

- The received data is erased then it returns to the local mode.

** DATA CLEAR **

Behavior after printing has been completed

Drying Feed

When printing has been completed, the feeding operation is performed to dry the printed surface with the post cure unit.


- Perform the feeding operation until the back edge of printing passes the post cure unit.
- When you press the **END** key, the operation is terminated.
- When the machine has been received next data continuously, it will operate after the last data is received.

Screen display during drying feeding

Drying
Please Wait

Manual Drying Feed

When the operation is cancelled before prints are fed under UV lamps, such prints need to be dried/cured by manual feeding.

1	Press the TEST PRINT/CLEANING key in LOCAL three times.	TEST FEED [ENT]
2	Press the ENTER key.	BACKWARD FEED : ON
3	Press ▲ ▼ to select ON/OFF .  • When setting "ON", rewind the roll media to take up the slack before printing.	BACKWARD FEED : ON
4	Press the ENTER key.	POST CURE : OFF
5	Press ▲ ▼ to select ON .	POST CURE : ON
6	Press the ENTER key.	TEST FEED START [ENT]
7	Press the ENTER key. • After the heater and the UV lamp are ready, start test feeding.	** TEST FEED ** PLEASE : WAIT
8	Press the END key. • Continue feeding until the media on the platen surface passes through the post cure unit. • To stop feeding, press the END key.	

Cutting a media

When you cut the media after printing of roll media has been completed, cut it with the key on the operation panel.



- When a media is cut, be careful that the printed side does not touch the floor or the printed side of other already cut media.
- When using the take-up device, take up a cut medium using the switch of the take-up device.

- 1** Press the **MEDIA** key twice.

MEDIA CUT [ENT]
- 2** Press the **ENTER** key.

MEDIA CUT
 CUT POSITION [▲▼]
- 3** Press **▲** **▼** to specify the cutting position.

CUT POSITION
 0.0 ----
- 4** Press the **ENTER** key.

 - The media is cut.
 - When the cutting has been completed, the current mode returns to LOCAL.

** CUTTING **
 PLEASE WAIT



- During the origin setting with the jog keys, you can also perform media cutting by pressing the **MEDIA** key. (☞ P.2-27)

Chapter 3

Extended Functions



This chapter

describes the operation procedures for using the machine more conveniently and each setting procedure.

List of Functions	3-2	Setting the Display of Media Residual	3-25
Setting Heater	3-4	Setting Time.....	3-27
Setting Logical Seek	3-5	Setting Units	3-28
Setting Margins	3-6	Setting a KEY BUZZER.....	3-29
Setting UV mode	3-7	Setting a LANGUAGE.....	3-30
Adjusting the intensity set in RIP.....	3-7	Setting a MEDIA DETECT.....	3-31
Printing at the intensity set in the printer.....	3-8	Setting a DRYING FEED.....	3-32
Perform setting to reduce stripes between passes	3-13	Setting the amount of blank space between printed lines	3-33
What is the MAPS Function?	3-13	Set the network.....	3-34
Setting MAPS1 Function	3-14	Setting event mail function.....	3-36
Setting MAPS2 Function (4 color).....	3-15	Setting the Setting Lock function	3-46
Setting MAPS2 Function (4color + special color ink/ 6color + special color ink)	3-16	Charging ink	3-48
Setting Auto Cleaning	3-18	Initializing the Settings	3-50
Setting nozzle face cleaning time	3-19	Confirming Machine Information	3-51
Other Settings	3-20	Check the using status of the machine.....	3-51
Machine Settings	3-21	Check the machine version information.....	3-52
Setting a AUTO Power-off.....	3-23	Displaying the Information of this machine .	3-53
Setting the feeding and take up	3-24		

List of Functions

This section describes the overview of each function to be set and set values that can be registered in user types.



• **About default “HOST” function**

You can operate this by the setting value specified in RIP software.

When you set to other than “HOST”, it operates by that setting value, not by the instruction from RIP software.

Depending on RIP software, there are some functions that cannot be instructed by software. In such a case, it operates by the setting value of “When no instruction from RIP exists”.

- For the specifying method with the RIP software, refer to the operation manual of the RIP software.

Function name			Set value	Default	When no instruction from RIP exists *1	Outline		
FEED COMP. (☞ P.2-34)			-9999 ~ 0 ~ 9999	0	————	Used to print a pattern for correcting a media-feeding rate and correct it.		
DROP. POS CORRECT (☞ P.2-36)			-40.0 ~ 0 ~ 40.0	0	————	Used to adjust the dot position in go and return printing.		
HEATER (☞ P.2-28)	MEDIA HEATER	PRE	OFF/ 20 to 60°C (OFF/ 68 to 140°F)	OFF	————	Sets heater conditions.		
		PRINT	OFF/ 20 to 60°C (OFF/ 68 to 140°F)	OFF	————			
		POST	OFF/ 20 to 70°C (OFF/ 68 to 158°F)	OFF	————			
	INK HEATER	Standby SwitchoverTIM	NONE, 0 to 60min	2min	————	Sets the movement time until the head heater and ink heater standby status.		
LOGICAL SEEK(☞ P.3-5)			HOST / ON / OFF	HOST	ON	Sets the scan movable area during printing.		
INK LAYERS (☞ P.3-20)			HOST / 1 to 9	HOST	1	Sets the number of layers in which ink is to be applied.		
MARGIN (☞ P.3-6)	LEFT		HOST / -10 to 85mm (1mm unit)	HOST	0 mm	Sets a non-printing area along the right and left edges of the media.		
	RIGHT		HOST / -10 to 85mm (1mm unit)	HOST	0 mm			
			HOST / MANUAL	HOST				
UV MODE (☞ P.3-7)	PATTERN	HOST		-50 to +50%	0%	Operates with the manual settings of LED UV lamp, Pattern A, Lv10, Post cure UV lamp and ON	Sets and adjusts the intensity of the UV lamp.	
		MANUAL	LED UV LAMP	PATTERN A to F, Lv1 to 10	PATTERN A Lv5			————
			POST CURE UV LAMP	ON/OFF	ON			————
	CONTROL	FULL					Sets the light control method for the UV lamp.	
		PRINT	LAMP POS	0 to 180mm	0mm			
REFRESH (☞ P.3-20)			HOST / Lv.0 (Refresh interval long) ~ 3 (Refresh interval short)	HOST	Lv.3	Refreshes the print heads during printing.		
VACUUM (☞ P.3-20)			HOST / STANDARD / STRONG	HOST	STANDARD	Sets the absorbability of the media.		
FEED SPEED (☞ P.3-20)			HOST / 10 ~ 200% *2	HOST	100%	Changes the media feeding speed in printing.		

Function name			Set value	Default	When no instruction from RIP exists *1	Outline
MAPS (☞ P.3-13)			OFF/MAPS1/MAPS2	MAPS2	_____	Perform setting to reduce stripes between passes.
	MAPS1	PRINT SPEED ADJUST	-50 to +50%	0%	_____	
	MAPS2	AUTO				
MANUAL		PATTERN(1 to 5)/ Smoothing level (AUTO/5 to 100%)				
AUTO CLEANING (☞ P.3-18)	OFF, PAGE, LENGTH, TIME			OFF	_____	Sets the automatic cleaning operation for the head performed before printing or during printing.
	PAGE	INTERVAL	1 to 1000 page	1 page	_____	
		TYPE	NORMAL / SOFT / HARD	SOFT	_____	
	LENGTH	INTERVAL	0.1 to 100.0m	0.5m	_____	
		TYPE	NORMAL / SOFT / HARD	SOFT	_____	
	TIME	INTERVAL	10 to 120 min	10 min	_____	
TYPE		NORMAL / SOFT / HARD	SOFT	_____		
INTERVAL WIPING (☞ P.3-19)			3 to 255 minutes, OFF	OFF	_____	Sets the wiping operation during printing.
HEAD GAP (☞ P.2-5)			1.5 to 7.0mm	2.0 mm	_____	Sets the head gap.

*1. This is the setting value to be used for printing when setting value is not specified at the RIP software (host) side, or, you give priority to the setting value at the machine side, even if you set "Host" to the type registration of this machine.

*2. When you set this to "100%" or more, required time for completion of printing will be shortened. However, enough drying time cannot be ensured and it may affect the image quality.

Setting Heater

Set the heater temperature (PRE/PRINT/ POST).



- You can change the heater temperature by pressing the **HEATER** key. (☞ P.2-28)

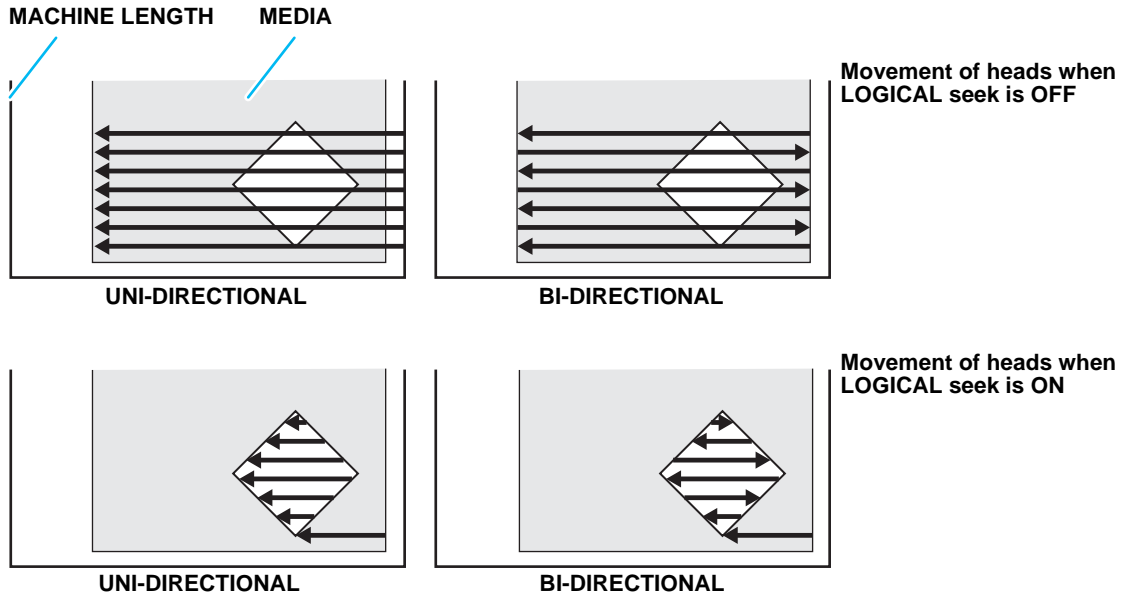
1	Press the FUNCTION key in LOCAL.	FUNCTION SETUP [ENT]
2	Press the ENTER key.	SETUP FEED COMP. [ENT]
3	Press ▲ ▼ to select [HEATER].	SETUP HEATER [ENT]
4	Press the ENTER key. • The set heater selection screen appears.	HEATER : MEDIA HEATER
5	Press ▲ ▼ to select [MEDIA HEATER].	HEATER : MEDIA HEATER
6	Press the ENTER key. • The PRINT heater temperature setting screen appears.	PRE = OFF
7	Press ▲ ▼ to set the temperature of PRE heater (20°C to 60°C).	PRE = 30 °C
8	Press the ENTER key. • The PRINT heater temperature setting screen appears.	PRINT = OFF
9	Press ▲ ▼ to set the temperature of PRINT heater (20°C to 60°C).	PRINT = 30 °C
10	Press the ENTER key. • The POST heater temperature setting screen appears.	POST = OFF
11	Press ▲ ▼ to set the temperature of POST heater (20°C to 70°C).	POST = 30 °C
12	Press the ENTER key.	SETUP HEATER [ENT]
13	Press the END key several times to end the setting.	

Setting Logical Seek

The motion of Head varies depending on the set of Logical-seek.

Important!

- You cannot specify the logical seek at the RasterLink side. When you set this machine to "Host", printing will be performed in "LOGICAL SEEK=ON" status.



- Press the **FUNCTION** key in LOCAL.

FUNCTION SETUP	[ENT]
-------------------	---------
- Press the **ENTER** key.

SETUP FEED COMP.	[ENT]
---------------------	---------
- Press **▲ ▼** to select [LOGICAL SEEK].

SETUP LOGICAL SEEK	[ENT]
-----------------------	---------
- Press the **ENTER** key.

LOGICAL SEEK :HOST

- Press **▲ ▼** to select a set value.
 - Set value : HOST / ON / OFF

LOGICAL SEEK :ON

- Press the **ENTER** key.

SETUP LOGICAL SEEK	[ENT]
-----------------------	---------
- Press the **END** key several times to end the setting.

Setting Margins

Set a non-printing area along the right and left edges of the media.
The offset value against the standard margin 15mm is set hereupon.

Important!

- When you give priority to the setting at the RIP software side, make the setting value "Host".
- You cannot specify the margins at the attached RIP software (RasterLink). When you use the RasterLink, if you set this machine to "Host", printing will be performed in "Margins for right and left off set value= 0 mm" status.

1	Press the FUNCTION key in LOCAL.	FUNCTION SETUP [ENT]
2	Press the ENTER key.	SETUP FEED COMP. [ENT]
3	Press ▲▼ to select [MARGIN].	SETUP MARGIN [ENT]
4	Press the ENTER key.	LEFT = 0mm
5	Press ▲▼ to set the left margins. • This was set to "HOST" (RIP software side setting has priority) before shipping. Change this when you want to set the left margin of media to the setting value of this machine. Set Value : HOST or -10 to 85mm (in 1mm increment)	LEFT = HOST
6	Press the ENTER key.	RIGHT = 0mm
7	Press ▲▼ to set the right margins. • This was set to "HOST" (RIP software side setting has priority) before shipping. Change this when you want to set the right margin of media to the setting value of this machine. Set Value : HOST or -10 to 85mm (in 1mm increment)	RIGHT = HOST
8	Press the ENTER key.	SETUP MARGIN [ENT]
9	Press the END key several times to end the setting.	



- Pay attention to that printing may start on the media press if a right and left margin is set to 5 mm or less when the media press is used in printing.

Setting UV mode

Set the amount of light and the control method for the UV lamp of the LED UV device.

Adjusting the intensity set in RIP

1	Press the FUNCTION key in LOCAL.	FUNCTION SETUP [ENT]
2	Press the ENTER key.	SETUP FEED COMP. [ENT]
3	Press ▲ ▼ to select [UV MODE].	SETUP UV MODE [ENT]
4	Press the ENTER key.	UV MODE : PATTERN
5	Press ▲ ▼ to select [PATTERN].	UV MODE : PATTERN
6	Press the ENTER key.	UV MODE : HOST
7	Press ▲ ▼ to select [HOST]. • To print at the intensity set in the printer, select [MANUAL].	UV MODE : HOST
8	Press the ENTER key.	UV MODE LIGHT ADJUST : 0%
9	Press ▲ ▼ to set the adjustment value for the intensity of the LED UV device. Set Value : -50% to +50% • If the value is set to 0%, the value specified in RIP is applied. • Setting a negative value reduces the intensity; setting a positive value increases the intensity.	UV MODE LIGHT ADJUST : 10%
10	Press the ENTER key.	SETUP UV MODE [ENT]
11	Press the END key several times to end the setting.	

Printing at the intensity set in the printer

LED UV lamp intensity adjustment

1	Press the FUNCTION key in LOCAL.	FUNCTION SETUP [ENT]
2	Press the ENTER key.	SETUP FEED COMP. [ENT]
3	Press ▲▼ to select [UV MODE].	SETUP UV MODE [ENT]
4	Press the ENTER key.	UV MODE : PATTERN
5	Press ▲▼ to select [PATTERN].	UV MODE : PATTERN
6	Press the ENTER key.	UV MODE : HOST
7	Press ▲▼ to select [MANUAL]. • To print at the intensity set in the printer, select [MANUAL].	UV MODE : MNUAL
8	Press the ENTER key.	UV MODE : LED-UV LAMP
9	Press ▲▼ to select [LED-UV LAMP].	UV MODE : LED-UV LAMP
10	Press the ENTER key.	UV MODE : PATTERN A

11 Press   to set the irradiation pattern.



```
UV MODE
: PATTERN D
```

- Set values : Pattern A to F
- The following indicates the recommended printing mode for each irradiation pattern.

Ink set	4-colors	4-colors + white/ 6-colors + white
Pattern A	300x450HQ	Not normally used
Pattern B	600x600, 600x900	300x450HQ single-layer, 600x600 single-layer
Pattern C	1200x1200	600x900 single-layer; 1200x1200 single-layer 300x450HQ two-layers, 600x600 two-layers 600x900 two-layers
Pattern D	Not normally used	For Three-layers printing
Pattern E	If adhesion is poor with patterns A to D:	If adhesion is poor with patterns A to D: (Color-only printing; Color → White printing)
Pattern F	If adhesion is poor with patterns A to D:	If adhesion is poor with patterns A to D: (White-only printing; White → Color printing)

12 Press the  key.

```
UV MODE
LEVEL : 10
```

13 Press   to set the level for the intensity of the LED UV device.

```
UV MODE
LEVEL : 5
```

- Set Value : 1 to 10 (Default=5)
- The intensity is at maximum with the setting value of 10.
 - Decreasing the level reduces the intensity.

14 Press the  key.

```
SETUP
UV MODE [ENT]
```

15 Press the  key several times to end the setting.**Important!**

- Depending on the level setting, a UV-related error, such as overheating, may occur. If an error occurs, set the intensity to a lower level.

Changing the lighting pattern of Post cure UV lamps

1	Press the FUNCTION key in LOCAL.	FUNCTION SETUP [ENT]
2	Press the ENTER key.	SETUP FEED COMP. [ENT]
3	Press ▲▼ to select [UV MODE].	SETUP UV MODE [ENT]
4	Press the ENTER key.	UV MODE : PATTERN
5	Press ▲▼ to select [PATTERN].	UV MODE : PATTERN
6	Press the ENTER key.	UV MODE : HOST
7	Press ▲▼ to select [MANUAL]. • To print at the intensity set in the printer, select [MANUAL].	UV MODE : MNUAL
8	Press the ENTER key.	UV MODE : LED-UV LAMP
9	Press ▲▼ to select [POY CURE UV LAMP].	UV MODE : POST CURE UV LAMP
10	Press the ENTER key.	UV MODE : ON ON ON
11	Press ▲▼ to set the lighting pattern of Post cure UV lamps. • Set the lighting patterns of each of Post cure UV lamps of the top, middle and bottom.	UV MODE ON ON ON Top Middle Bottom
12	Press the ENTER key.	SETUP UV MODE [ENT]
13	Press the END key several times to end the setting.	

If you want to print using the UV lamp light control set in this machine

- 1** Press the **FUNCTION** key in LOCAL.

FUNCTION
SETUP [ENT]
- 2** Press the **ENTER** key.

SETUP
FEED COMP. [ENT]
- 3** Press **▲▼** to select [UV MODE].

SETUP
UV MODE [ENT]
- 4** Press the **ENTER** key.

UV MODE
: PATTERN
- 5** Press **▲▼** to select [CONTROL].

UV MODE
: CONTROL
- 6** Press the **ENTER** key.

UV MODE
UV CTRL AREA : FULL
- 7** Press **▲▼** to select the control method.

 - If you selected “FULL”
LED UV Lamp : Printing is performed with the LED outside the print range lit up when the print begins and ends.
Post cure lamp : Printing is performed with this lit from the start of the print.
 - If you selected “PRINT”
LED UV Lamp : Printing is performed with the LED outside the print range lit up when the print begins and ends.
Post cure lamp : It is off at the start of the print, but lights up when the printed object enters the post cure lamp section.
- 8** Press the **ENTER** key.

 - If you selected “FULL” in Step 7, proceed to Step 12.



UV MODE
UV1 LAMP POS : 0mm
- 9** Press **▲▼** to input the LED UV lamp 1 (left side) scale position.

UV MODE
UV1 LAMP POS : 0mm

Set Value : 0 to 180mm (The LED UV lamp's normal position is “0mm”).
- 10** Press the **ENTER** key.

UV MODE
UV2 LAMP POS : 0mm

11

Press   to input the LED UV lamp 2 (right side) scale position.

```
UV MODE
UV2 LAMP POS : 0mm
```

Set Value : 0 to 180mm (The LED UV lamp's normal position is "0mm".)

12

Press the  key.

```
SETUP
UV MODE      [ENT]
```

13

Press the  key several times to end the setting.

What is the MAPS Function?

If performing media correction does not resolve feeding stripes, use the MAPS (Mimaki Advanced PassSystem) function to disperse the pass boundary to make the feeding stripes less visible. With the UJV500, you can use both the MAPS1 function and the MAPS2 function.



- With MAPS1, the printing speed can be adjusted, but depending on the image to be printed, there may be color changes. With MAPS2, both feeding stripes and color changes can be reduced, but speed cannot be adjusted. Choose the function based on the image to be printed.
- MAPS1 effect differs depending on the set value of the printing speed. Use it after checking effect in advance.
- When you speed up the printing speed, it takes shorter time to print. However, MAPS1 effect becomes weak.
- When you slow down the printing speed, it takes longer time to print. However, MAPS1 effect becomes strong and feeding stripes become less visible.
- Enabling the MAPS function, slight color change may be found compared to when the MAPS function is disabled. Use it after checking effect in advance.
- MAPS may not be effective depending on image to be printed. Use it after checking effect in advance.

● Conditions for the MAPS1 Function to be Effective

- When printing, if you set the printing speed to 0% and more, MAPS1 becomes invalid. In addition, it prints at 0% speed. When you use MAPS1, set the printing speed to “minus (-)”.
- The MAPS1 function may not be effective depending on the image to be printed.

For 4-color

Resolution	Pass	Scan speed
300 x 450 HQ	3 pass	Normal speed
600 x 600	2 pass	Normal speed
	4 pass	High speed
600 x 900	3 pass	Normal speed
	6 pass	High speed
600 x 900HQ	6 pass	Normal speed
	12 pass	High speed
1200 x 1200	4 pass	Normal speed
	8 pass	High speed

For 4-color + special color/ For 6-color + special color

Resolution	Pass	Scan speed
300 x 450 HQ	6 pass	Normal speed
600 x 600	4 pass	Normal speed
	8 pass	High speed
600 x 900	6 pass	Normal speed
	12 pass	High speed
1200 x 1200	8 pass	Normal speed
	16 pass	High speed

● Conditions for the MAPS2 Function to be Effective

- The following are the resolutions and pass numbers where MAPS2 is effective.
- Under conditions other than those below, printing is performed in a format equal to MAPS-OFF.
- The MAPS1 function may not be effective depending on the image to be printed.

For 4-color

Resolution	Pass	Scan speed
300 x 450 HQ	6 pass	Normal speed
600 x 600	8 pass	High speed
600 x 900	12 pass	High speed
	24 pass	High speed
1200 x 1200	16 pass	High speed

For 4-color + special color/ For 6-color + special color

Resolution	Pass	Scan speed
300 x 300 HQ	8 pass	Normal speed
300 x 450 HQ	12 pass	Normal speed
600 x 600	16 pass	High speed
600 x 900	24 pass	High speed
1200 x 1200	32 pass	High speed

Setting MAPS1 Function

- 1** Press the **FUNCTION** key in LOCAL. FUNCTION
SETUP [ENT]
- 2** Press the **ENTER** key. SETUP
FEED COMP. [ENT]
- 3** Press **▲▼** to select [MAPS]. SETUP
MAPS [ENT]
- 4** Press the **ENTER** key. MAPS
: OFF
- 5** Press **▲▼** to select MAPS1.
• Set Value : MAPS1, MAPS2, OFF MAPS
: MAPS 1
- 6** Press the **ENTER** key.
• If you selected MAPS2 or OFF in step 5, proceed to step 8. PRINT SPEED ADJUST
= 0%
- 7** Press **▲▼** to change print speed.
• Set Value:-50 to +50%
Important! • When you change the speed, nozzle recovery effect cannot work in some cases. Use it after checking. PRINT SPEED ADJUST
= 10%
- 8** Press the **ENTER** key. SETUP
MAPS [ENT]
- 9** Press the **END** key several times to end the setting.

Setting MAPS2 Function (4 color)

1	Press the FUNCTION key in LOCAL.	FUNCTION SETUP [ENT]
2	Press the ENTER key.	SETUP FEED COMP. [ENT]
3	Press ▲ ▼ to select [MAPS].	SETUP MAPS [ENT]
4	Press the ENTER key.	MAPS : OFF
5	Press ▲ ▼ to select MAPS2. • Set Value : MAPS1, MAPS2, OFF	MAPS : MAPS 2
6	Press the ENTER key. • If you selected OFF in step 5, proceed to step 12.	MAPS 2 : AUTO
7	Press ▲ ▼ to select "AUTO" or "MANUAL". • AUTO : Set the print pattern and smoothing level to the recommended value automatically depending on printing mode. • MANUAL : You can adjust the set value. Important! • If feeding stripes and color change is not improved by "AUTO" setting, please adjust the print pattern and smoothing level by "MANUAL" setting.	MAPS2 : AUTO
8	Press the ENTER key. • When selecting the "AUTO" in the Step 7, proceed to the step 12. • When selecting the "MANUAL" in the Step 7, proceed to the step 9.	MAPS2 PATTERN : 1
9	Press ▲ ▼ to select pattern to print. • Set value : Pattern1 to Pattern 5 Important! • MAPS2 effect differs depending on image to be printed. Change the printing pattern and use it after checking effect in advance.	MAPS2 PATTERN : 2
10	Press the ENTER key.	MAPS2 SMOOTHING LV. : AUTO

11Press   to change the smoothing level.

- **Set Value:** AUTO, 5 to 100% (set in units of 5%)
- **AUTO** : Set the smoothing level automatically depending on printing mode.
- **5 to 100%** : The MAPS2 effect become strong as the set value increase, and become weak as the set value decrease.

MAPS2 SMOOTHING LV. : 100%

12Press the  key.

SETUP MAPS [ENT]

13Press the  key several times to end the setting.

Setting MAPS2 Function (4color + special color ink/ 6color + special color ink)

1Press the  key in LOCAL.

FUNCTION SETUP [ENT]

2Press the  key.




SETUP FEED COMP. [ENT]

3Press   to select [MAPS].

SETUP MAPS [ENT]

4Press the  key.

MAPS : OFF

5Press   to select "MAPS2" and press the  key.

- Set Value : MAPS1, MAPS2, OFF
- If you selected OFF, proceed to step 11.

MAPS2 : AUTO

6Press   to select "AUTO" or "MANUAL".

- **AUTO** : Set the print pattern and smoothing level to the recommended value automatically depending on printing mode.
- **MANUAL** : You can adjust the set value.

Important!

- If feeding stripes and color change is not improved by "AUTO" setting, please adjust the print pattern and smoothing level by "MANUAL" setting.

MAPS2 : AUTO





7Press the  key.

- When selecting the "AUTO" in the Step 6, proceed to the step 11.
- When selecting the "MANUAL" in the Step 6, proceed to the step 8.

COLOR PATTERN : 1 >

8

Press     and select pattern and color to be printed.

-   : Select the Pattern1 to Pattern 5.
-   : Select color(COLOR or SPOT(special color))

Important!

- MAPS2 effect differs depending on image to be printed. Change the printing pattern and use it after checking effect in advance.

```
<      SPOT
PATTERN : 2
```





9

Press the  key.

```
<      SPOT
SMOOTHING LV. : AUTO
```

10

Press   to change the smoothing level and color.

- **Set Value:**AUTO, 5 to 100% (set in units of 5%)
- **AUTO** : Set the smoothing level automatically depending on printing mode.
- **5 to 100%** : The MAPS2 effect become strong as the set value increase, and become weak as the set value decrease.
-   : Select the smoothing level.
-   : Select color(COLOR or SPOT(special color))

```
<      SPOT
SMOOTHING LV. : 100%
```

11

Press the  key.

```
SETUP
MAPS                [ ENT ]
```

12

Press the  key several times to end the setting.



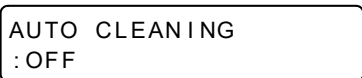
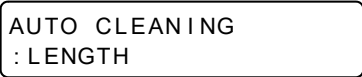



Setting Auto Cleaning

You can set the machine so that it counts the number of printed files or the length or time after printing has been completed, and performs cleaning automatically if required.

You can select the auto cleaning setting from three types below:

- PAGE : Set the cleaning intervals by the number of printed files.
- LENGTH : Set the cleaning intervals by the printed length.
- TIME : Set the cleaning intervals by the printed time.

The machine can perform a stable printing operation with its heads always kept clean.

- 1** Press the **FUNCTION** key in LOCAL. 
- 2** Press the **ENTER** key. 
- 3** Press **▲▼** to select [AUTO CLEANING] and press the **ENTER** key. 
- 4** Press **▲▼** to select the type of auto cleaning.
 - There are "PAGE", "LENGTH" and "TIME" for auto cleaning.
 - PAGE : When the set number of prints has been completed, the machine performs head cleaning automatically.
 - LENGTH : When the set length has passed, the machine performs head cleaning automatically.
 - TIME : When the set time has passed, the machine performs head cleaning automatically.
 - If you do not set auto cleaning, first select "OFF" and then proceed to the Step 10.
- 5** Press the **ENTER** key.
- 6** Press **▲▼** to set the cleaning interval.
 - Depending on the auto cleaning type selected in the Step 5, the setting value differs.
 - For PAGE : 1 to 1000 page
 - For LENGTH : 0.1 to 100.0m (in 0.1m increment)
 - For TIME : 10 to 120min (in 10min increment)
- 7** Press the **ENTER** key. 
- 8** Press **▲▼** to set the cleaning type.
Set Value : NORMAL/ SOFT/HARD 
- 9** Press the **ENTER** key.
- 10** Press the **END** key several times to end the setting.



- Depending on the state of the heads, etc., the image quality deterioration may not be improved even with this function performed. In this case, contact our service office or the distributor in your region.

Setting nozzle face cleaning time

When the set time has passed, nozzle face of the head is cleaned automatically to remove ink droplets on the nozzle face.

In case that deflection, nozzle missing, or symptom which ink droplets fall down occurred, make the interval between each operation shorter.

1	Press the FUNCTION key in LOCAL.	FUNCTION SETUP [ENT]
2	Press the ENTER key.	SETUP FEED COMP. [ENT]
3	Press ▲ ▼ to select [INTERVAL WIPING].	SETUP INTERVAL WIPING [ENT]
4	Press the ENTER key.	INTERVAL WIPING :OFF
5	Press ▲ ▼ to set intervals. • Set Value : 3 to 255 Minutes, OFF • When [OFF] is set, periodical wiping is not executed.	INTERVAL WIPING :OFF
6	Press the ENTER key.	SETUP INTERVAL WIPING [ENT]
7	Press the END key several times to end the setting.	

Other Settings

Change the settings according to the types of use.

1

Press the **FUNCTION** key in LOCAL.

```
FUNCTION
SETUP          [ENT]
```

2

Press the **ENTER** key.

```
SETUP
FEED COMP.    [ENT]
```

3

Press **▲** **▼** to select an item for setting.

• Select it, referring to P.3-2 "List of Functions".

4

Press the **ENTER** key.

5

Press **▲** **▼** to select the setting value.

• Select it, referring to P.3-2 "List of Functions".

6

Press the **ENTER** key.

7

Press the **END** key several times to end the setting.

Important!

• The set value is retained even when the power is turned "OFF".

Machine Settings

Machine settings are functions for using this machine easily.
The following items can be set in Machine settings.

Item		Set value	Default	Meaning	
AUTO Power-off (☞ P.3-23)		NONE/ 10 ~ 600min	NONE	When no operation has been performed for the set time, the power supply is automatically turned "OFF".	
Feeding/ TakeUp (☞ P.3-24)	FEED	ON / OFF	OFF	Set whether you use the take-up/ feeding unit or not. When you print on the leaf media or you want to use the take-up unit only, perform setting of Feeding and TakeUp separately.	
	ROLL	ON / OFF	OFF		
MEDIA REMAIN (☞ P.3-25)		ON / OFF	OFF	You can control the remaining amount of media.	
TIME SET (☞ P.3-27)		+4h ~ -20h	Japan time	Time difference is corrected.	
UNIT (☞ P.3-28)	TEMP.	°C (Centigrade) /°F (Fahrenheit)	°C	A unit for displaying temperature is set.	
	LENGTH	mm / inch	mm	A unit for displaying length and area is set.	
KEY BUZZER (☞ P.3-29)		OFF / ON	ON	A buzzer sound when keys are pressed is set.	
MEDIA DETECT (☞ P.3-31)	WIDTH DETECT	AUTO/MANUAL	AUTO	When you enter any media width at setting the media or when the media width sensor has an error, set this to "MANUAL".	
	THICKNESS DETECT	AUTO/MANUAL	AUTO	When you enter any media thickness at setting the media or when the media thickness sensor has an error, set this to "MANUAL".	
DRYING FEED (☞ P.3-32)		OFF/100 to 1000mm	OFF	To dry evenly up to the back edge of the printing data, set the length to be fed after printing has been completed.	
	BACKWORD FEED	ON/OFF	ON		
SPACE BTWN PP. (☞ P.3-33)		OFF/10 to 500mm	OFF	Setting the amount of blank space between printed lines.	
NETWORK & MAIL	NETWORK (☞ P.3-34)	Set the network.			
		IP Address	The IP address currently used by this machine is displayed.		
		MAC Address	The IP address currently used by this machine is displayed.		
		DHCP	ON / OFF		When it is ON, the IP address given by the DHCP server is used.
		AutoIP	ON / OFF		When it is ON, the IP address is determined by the AutoIP protocol. However, DHCP is ON, DHCP has priority.
		IP Address *1	Set the IP address used by this machine.		
		Def. Gateway *1	Set the default gateway used by this machine.		
		DNS Address *1	Set the DNS server address used by this machine.		
		SubNet Mask *1	Set the digit number of the subnet mask used by this machine.		
		Mail Delivery	ON / OFF	OFF	Set whether you send/ do not send the e-mail when the set event occurs.

Item		Set value		Default	Meaning		
NETWORK & MAIL	EVENT MAIL (☞ P.3-36)	Select Event	Print Start Event	ON / OFF	OFF	Set whether you send/ do not send the e-mail at the start of printing.	
			Print End Event	ON / OFF	OFF	Set whether you send/ do not send the e-mail at the end of printing.	
			Warning Event	ON / OFF	OFF	Set whether you send/ do not send the e-mail when a warning occurs.	
			Other Event	ON / OFF	OFF	Set whether you send/ do not send the e-mail when an event other than the above occurs.	
		Mail Address	Set the e-mail address to which you send the event mail.		Alphanumeric characters and symbols (within 96 characters)		
		Message Subject	Set the characters to write in the subject of the event mail.		Alphanumeric characters and symbols (within 8 characters)		
		Server Setup	SMTP Address		Set the SMTP server.		
			SMTP PORT No.		Set the SMTP port number.		
			SENDER ADDRESS		Set the e-mail address to be used as the sender mail address.		
			Auth.	POP before SMTP	Set the SMTP server authentication method (SMTP authentication).		
	SMTP Auth						
	OFF						
	USER NAME *2		Set the user name used for the authentication.				
	PASS WORD *2		Set the password used for the authentication.				
	POP3 ADDRESS *3		Set the POP server.				
	APOPOP *3		Set ON/ OFF of APOPOP.				
	Transmit Test	Send the test e-mail.					
SETTING LOCK (☞ P.3-46)	LOCK (Password is not set)	0000 to 9999	0000	You can freely specify a four digit password so that no one other than an administrator can perform network and mail settings.			
	UNLOCK (Password is set)						
LANGUAGE (☞ P.3-30)		English ニホンゴ Deutsch Français Español Italiano Português	English	Displayed language is changed.			
RESET(☞ P.3-50)		_____		_____	All setting values are returned to the status default.		

*1. Settable when both of DHCP and AutoIP are [OFF]

*2. Settable only when Auth. is not OFF

*3. Settable only when Auth. is POP before SMTP

Setting a AUTO Power-off

When no operation has been performed for the set time, the power supply is automatically turned "OFF".

- 1** Press the **FUNCTION** key in LOCAL.

FUNCTION
SETUP [ENT]
- 2** Press **▲** **▼** to select **[MACHINE SETUP]**.

FUNCTION
MACHINE SETUP [ENT]
- 3** Press the **ENTER** key twice.

AUTO Power - off
= 30min
- 4** Press **▲** **▼** to set time to turn OFF the power supply.

AUTO Power - off
= 60min

• Set Value : none, 10 to 600min
- 5** Press the **ENTER** key.

MACHINE SETUP
AUTO Power - off [ENT]
- 6** Press the **END** key several times to end the setting.

Important!

- If it has received data from the PC in the auto-power-off status, the power supply is turned on, however, the printing operation does not start automatically.

Setting the feeding and take up

Set whether you use the take-up/ feeding unit or not. When you print on the leaf media or you want to use the take-up unit only, perform setting of Feeding and Take-Up separately.

- 1** Press the **FUNCTION** key in LOCAL. FUNCTION
SETUP [ENT]
- 2** Press **▲▼** to select **[MACHINE SETUP]**. FUNCTION
MACHINE SETUP [ENT]
- 3** Press the **ENTER** key. MACHINE SETUP
AUTO Power-off [ENT]
- 4** Press **▲▼** to select **[Feeding/TakeUp]**. MACHINE SETUP
Feeding/TakeUp [ENT]
- 5** Press the **ENTER** key. FEED
: OFF
- 6** Press **▲▼** to select **ON/OFF**. FEED
: ON
- 7** Press the **ENTER** key. ROLL
: OFF
- 8** Press **▲▼** to select **ON/OFF**. ROLL
: ON
- 9** Press the **ENTER** key.
- 10** Press the **END** key several times to end the setting.

Setting the Display of Media Residual

Whether the screen displays the remaining amount of a media is set.

When the media remaining amount display is turned to "ON"	the remaining amount of a media is displayed in Remote. (However, when a leaf media is used, the length of the media to be printed is displayed.)
When the media remaining amount display is turned to "OFF"	the remaining amount of a media is not displayed in the Remote.



- The amount of a media that has been fed by the printing and jog keys is reflected in the remaining amount of a media.
- The length of a media (initial value of the remaining amount) is entered when a roll media is detected. (P.2-20)
- The setting configured here does not become effective unless media detection is performed after the setting has been complete.

1	Press the FUNCTION key in LOCAL.	FUNCTION SETUP [ENT]
2	Press ▲ ▼ to select [MACHINE SETUP].	FUNCTION MACHINE SETUP [ENT]
3	Press the ENTER key.	MACHINE SETUP AUTO Power-off [ENT]
4	Press ▲ ▼ to select [MEDIA REMAIN].	MACHINE SETUP MEDIA REMAIN [ENT]
5	Press the ENTER key.	MEDIA REMAIN :OFF
6	Press ▲ ▼ to select ON/OFF.	MEDIA REMAIN :ON
7	Press the ENTER key.	MACHINE SETUP MEDIA REMAIN [ENT]
8	Press the END key several times to end the setting.	

Printing the Remaining Amount of a Media

The present remaining amount of a media can be printed.



- Set "Remaining amount of a media to display" to "ON".
- When you replace the media you use now with another, it is recommended that you print the remaining amount of the media on it. With the remaining amount of a media having been printed beforehand, when you use the replaced media again, you can enter an accurate value in the screen for entering the remaining amount of a media (P.2-20) that appears after media detection.

1










In LOCAL, Press    .

- LOCAL changes to the origin setting mode.

ORIGIN SETUP
0.0 ----

2






Press     to change the value of the origin.

- Move the carriage and media with     and set the origin.
- When you do not change the origin, do not press     and proceed to Step 3.
- When you press the  key here, the origin is changed, and the screen returns to LOCAL.

ORIGIN SETUP
0.0 0.0
Origin (Length) Origin (Width)

3

Press the  key.

- When you press    , the screen returns to Step 2.
- When you press the  key, the screen returns to LOCAL.

MEDIA REMAIN PRINT
[ENT]

4

Press the  key.

- The remaining amount of a media starts to be printed.
- When the printing has been completed, the screen returns to LOCAL.

Important!

- When the remaining amount of a media has been printed with the origin changed, the origin set here is effective even when subsequent data are printed.

Setting Time

You can set time of your country (time difference).

- 1** Press the **FUNCTION** key in LOCAL.

FUNCTION
SETUP [ENT]
- 2** Press **▲▼** to select **[MACHINE SETUP]**.

FUNCTION
MACHINE SETUP [ENT]
- 3** Press the **ENTER** key.

MACHINE SETUP
AUTO Power-off [ENT]
- 4** Press **▲▼** to select **[TIME SET]**.

MACHINE SETUP
TIME SET [ENT]
- 5** Press the **ENTER** key.

TIME SET
2012.10.05 21:30:00
- 6** Press **▲▼◀▶** to enter time.
 Year/Month/Day/Time selecting : by the **◀▶** keys.
 Year/Month/Day/Time inputting : by the **▲▼** keys.
- 7** Press the **ENTER** key.
 • The entered date is displayed.

TIME SET
2012.10.05 15:30:00
- 8** Press the **END** key several times to end the setting.



- -20 hours to +4 hours can be set.

Setting Units

Units used by this machine are set.

- 1** Press the key **FUNCTION** in LOCAL. FUNCTION
SETUP [ENT]
- 2** Press **▲** **▼** to select **[MACHINE SETUP]**. FUNCTION
MACHINE SETUP [ENT]
- 3** Press the **ENTER** key. MACHINE SETUP
AUTO Power-off [ENT]
- 4** Press **▲** **▼** to select **[UNIT]**. MACHINE SETUP
UNIT [ENT]
- 5** Press the **ENTER** key. TEMP.
: °C
- 6** Press **▲** **▼** to select a unit of the temperature.
• Set value : °C / °F
- 7** Press the **ENTER** key. LENGTH
: mm
- 8** Press **▲** **▼** to select a unit of the length.
• Set value : mm / inch
- 9** Press the **ENTER** key. MACHINE SETUP
UNIT [ENT]
- 10** Press the **END** key several times to end the setting.

Setting a KEY BUZZER

You can turn off the buzzer sound when pressing the key.





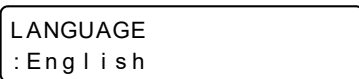
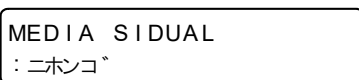

1	Press the FUNCTION key in LOCAL.	FUNCTION SETUP <ENT>
2	Press ▲ ▼ to select [MACHINE SETUP].	FUNCTION MACHINE SETUP [ENT]
3	Press the ENTER key.	MACHINE SETUP AUTO Power-off [ENT]
4	Press ▲ ▼ to select [KEY BUZZER].	MACHINE SETUP KEY BUZZER [ENT]
5	Press the ENTER key.	KEY BUZZER :ON
6	Press ▲ ▼ to select ON/OFF.	KEY BUZZER :OFF
7	Press the ENTER key.	MACHINE SETUP KEY BUZZER [ENT]
8	Press the END key several times to end the setting.	



- When the key buzzer is set to "OFF", the buzzer sound for errors, warnings, operation completion, etc. cannot be shut off.

Setting a LANGUAGE

You can change the displayed language.

- 1** Press the **FUNCTION** key in LOCAL. 
- 2** Press **▲** **▼** to select **[MACHINE SETUP]**. 
- 3** Press the **ENTER** key. 
- 4** Press **▲** **▼** to select **[LANGUAGE]**. 
- 5** Press the **ENTER** key. 
- 6** Press **▲** **▼** to select language.
• Set Value : ニホンゴ / English / Deutsch / Français / Español / Italiano / Português 
- 7** Press the **ENTER** key. 
- 8** Press the **END** key several times to end the setting.

Setting a MEDIA DETECT

There are two settings for media detection, "Width detection" and "Thickness detection". When you set the media and if you enter any media width/ thickness, or, when you use a clear media etc. and there is a problem to use the media width sensor/ the media thickness sensor, set it to "MANUAL".

1	Press the FUNCTION key in LOCAL.	FUNCTION SETUP <ENT>
2	Press ▲▼ to select [MACHINE SETUP] .	FUNCTION MACHINE SETUP [ENT]
3	Press the ENTER key.	MACHINE SETUP AUTO Power-off [ENT]
4	Press ▲▼ to select [MEDIA DETECT] .	MACHINE SETUP MEDIA DETECT [ENT]
5	Press the ENTER key. • The setting screen of media width detection is displayed.	WIDTH DETECT :AUTO
6	Press ▲▼ to select "AUTO" or "MANUAL".	DETECT :MANUAL
7	Press the ENTER key. • The setting screen of media thickness detection is displayed.	MACHINE SETUP MEDIA DETECT [ENT]
8	Press the ENTER key.	THICKNESS DETECT :AUTO
9	Press ▲▼ to select "AUTO" or "MANUAL".	THICKNESS DETECT :MANUAL
10	Press the ENTER key.	MACHINE SETUP MEDIA DETECT [ENT]
11	Press the END key several times to end the setting.	

Setting a DRYING FEED

The setting of drying feed conducted to dry print data evenly to the end is changed.

- 1** Press the **FUNCTION** key in LOCAL. FUNCTION
SETUP <ENT>
- 2** Press **▲▼** to select **[MACHINE SETUP]**. FUNCTION
MACHINE SETUP [ENT]
- 3** Press the **ENTER** key. MACHINE SETUP
AUTO Power-off [ENT]
- 4** Press **▲▼** to select **[DRYING FEED]**. MACHINE SETUP
DRYING FEED [ENT]
- 5** Press the **ENTER** key. DRYING FEED
: ON
- 6** Press **▲▼** to set ON/OFF.
ON : Drying feed is active.
OFF : Drying feed is inactive. DRYING FEED
: OFF
- 7** Press the **ENTER** key. BACKWARD FEED
: OFF
- 8** Press **▲▼** to set ON/OFF.
ON : Backward feed is active.
OFF : Backward feed is inactive. BACKWARD FEED
: ON
- 9** Press the **ENTER** key. MACHINE SETUP
DRYING FEED [ENT]
- 10** Press the **END** key several times to end the setting.

Setting the amount of blank space between printed lines

Setting the amount of blank space between printed lines.

1	Press the FUNCTION key in LOCAL.	FUNCTION SETUP <ENT>
2	Press ▲▼ to select [MACHINE SETUP].	FUNCTION MACHINE SETUP [ENT]
3	Press the ENTER key.	MACHINE SETUP AUTO Power-off [ENT]
4	Press ▲▼ to select [SPACE BTWN PP.].	MACHINE SETUP SPACE BTWN PP. [ENT]
5	Press the ENTER key.	SPACE BTWN PP. = OFF
6	Press ▲▼ to set the amount of blank space. • Set value : OFF / 10 to 500mm	SPACE BTWN PP. = 100mm
7	Press the ENTER key.	MACHINE SETUP SPACE BTWN PP. [ENT]
8	Press the END key several times to end the setting.	

Important!

Back-feed operation is performed when printing ends if the amount of blank space is set in the decreasing direction.

Be careful of the following in such cases.

- When printing multiple pages, the LED exposes the trailing edge of the previous data when printing of the next pages starts, possibly causing the only the trailing edge to be over-cured.
- If media is set in the roll holder without using the feeding device on the back of the printer, the media tension of the next printing will change due to back-feed, possibly causing the feed rate of the media of only the leading edge of the printed image to change. In such cases, manually rewind the media.
- This function is disabled if back-feed after drying feed is set to OFF in the machine settings "DRYING FEED". (☞ P.3-32)
- If the printed data already has a blank space, using this function will result in "Blank space of the data + Amount of blank space set by using this function" being output as a blank space.

Set the network

- 1** Press the **FUNCTION** key in LOCAL.


FUNCTION
SETUP [ENT]
- 2** Press **▲▼** to select [MACHINE SETUP].

FUNCTION
MACHINE SETUP [ENT]
- 3** Press the **ENTER** key.

MACHINE SETUP
AUTO Power-off [ENT]
- 4** Press **▲▼** to select [NETWORK & MAIL].

MACHINE SETUP
NETWORK & MAIL [ENT]
- 5** Press the **ENTER** key twice.

NETWORK
Check IP Addr. [ENT]
- 6** Press the **ENTER** key.
 - The IP address currently used by this machine is displayed.

Check IP Address
10.16.168.235
 -  • After connecting with the network, it takes time until the IP address is determined. If the IP address has not been determined, "0.0.0.0" is displayed.
- 7** Press the **ENTER** key.

NETWORK
Check IP Addr. [ENT]
- 8** Press **▲▼** to select [MAC Addr.].

NETWORK
Check MAC Addr. [ENT]
- 9** Press the **ENTER** key.
 - The MAC address currently used by this machine is displayed.

Check MAC Address
00:0d:1b:00:00:00
- 10** Press the **ENTER** key.

NETWORK
Check MAC Addr. [ENT]
- 11** Press **▲▼** to select [DHCP].

NETWORK
DHCP [ENT]

12

Press the **ENTER** key.

- Press **▲** **▼** to set ON/ OFF.
- When it is ON, the IP address given by the DHCP server is used.

DHCP
: ON

13

Press the **ENTER** key.

NETWORK
DHCP [ENT]

14

Press **▲** **▼** to select [AutoIP].

NETWORK
AutoIP [ENT]

15

Press the **ENTER** key.

- Press **▲** **▼** to set ON/ OFF.
- When it is ON, the IP address is determined by the AutoIP protocol. However, DHCP is ON, DHCP has priority.

AutoIP
: ON

16

Press the **ENTER** key.

NETWORK
AutoIP [ENT]

17

Press **▲** **▼** to select the set values.

- Both of DHCP and AutoIP is OFF, you can set IP Address/ Default Gateway/ DNS Address/ Sub Net Mask. For other than above, proceed to the Step 21.

18

Press the **ENTER** key.

19

Press **▲** **▼** **◀** **▶** to select the set values.

20

Press **ENTER** to confirm the value.

21

Press the **END** key several times for terminating this function.

- To reflect network setting, once turn off the power supply and then turn it on again.

Setting event mail function

Set the function to send e-mails to the set e-mail address when events such as cutting start/ end and stop due to an error.

Disclaimer

- The customer is responsible for the communication fee for Internet communication such as e-mail notification.
- The notification by the event mail function may not be delivered due to Internet environment, failure of the machine/ the power supply, etc. Mimaki has absolutely no responsibility for any damages or loss resulting from non-delivery or delays.

Important!

- You can use event mail function by connecting LAN to this machine. Please prepare for LAN cable connection beforehand.
- Not compatible with SSL communication.

Enable the event mail function

1	Press the FUNCTION key in LOCAL.	FUNCTION SETUP [ENT]
2	Press ▲▼ to select [MACHINE SETUP].	FUNCTION MACHINE SETUP [ENT]
3	Press the ENTER key.	MACHINE SETUP AUTO Power-off [ENT]
4	Press ▲▼ to select [NETWORK & MAIL].	MACHINE SETUP NETWORK & MAIL [ENT]
5	Press the ENTER key.	NETWORK & MAIL NETWORK [ENT]
6	Press ▲▼ to select [EVENT MAIL].	NETWORK & MAIL EVENT MAIL [ENT]
7	Press the ENTER key.	EVENT MAIL Mail Delivery [ENT]
8	Press the ENTER key.	Mail Delivery :OFF
9	Press ▲▼ to select "ON".	Mail Delivery :ON

10 Press the **ENTER** key.

EVENT MAIL
Mail Delivery [ENT]

11 Press the **END** key several times for terminating this function.

Set the event to send an event mail

1 Press the **FUNCTION** key in LOCAL.

FUNCTION
SETUP [ENT]

2 Press **▲** **▼** to select **[MACHINE SETUP]**.

FUNCTION
MACHINE SETUP [ENT]

3 Press the **ENTER** key.

MACHINE SETUP
AUTO Power-off [ENT]

4 Press **▲** **▼** to select **[NETWORK & MAIL]**.

MACHINE SETUP
NETWORK & MAIL [ENT]

5 Press the **ENTER** key.

NETWORK & MAIL
NETWORK [ENT]

6 Press **▲** **▼** to select **[EVENT MAIL]**.

NETWORK & MAIL
EVENT MAIL [ENT]

7 Press the **ENTER** key.

EVENT MAIL
Mail Delivery [ENT]

8 Press the jog key **▲** or **▼** to select **[Select Event]**.

EVENT MAIL
Select Event [ENT]

9 Press the **ENTER** key.

- Set whether you send/ do not send the e-mail at the start of plotting.
- Press **▲** **▼** to set ON/ OFF.

Print Start Event
:OFF

10 Press the **ENTER** key.

- Set whether you send/ do not send the e-mail at the end of plotting.
- Press **▲** **▼** to set ON/ OFF.

Print End Event
:OFF

11**Press the key.**

- Set whether you send/ do not send the e-mail when the printing operation stops because an error occurs.
- Press to set ON/ OFF.

Error Evenn
:OFF

12**Press the key.**

- Set whether you send/ do not send the e-mail when a warning occurs during printing.
- Press to set ON/ OFF.

Warning Event
:OFF

13**Press the key.**

- Set whether you send/ do not send the e-mail when an event other than the above occurs.
- Press to set ON/ OFF.

Other Event
:OFF

14**Press the key.**

EVENT MAIL
Select Event [ENT]

15**Press the key several times for terminating this function.**

Set the e-mail address

- 1** Press the **FUNCTION** key in LOCAL.

FUNCTION
SETUP [ENT]
- 2** Press **▲▼** to select [MACHINE SETUP].

FUNCTION
MACHINE SETUP [ENT]
- 3** Press the **ENTER** key.

MACHINE SETUP
AUTO Power-off [ENT]
- 4** Press **▲▼** to select [NETWORK & MAIL].

MACHINE SETUP
NETWORK & MAIL [ENT]
- 5** Press the **ENTER** key.

NETWORK & MAIL
NETWORK [ENT]
- 6** Press **▲▼** to select [EVENT MAIL].

NETWORK & MAIL
EVENT MAIL [ENT]
- 7** Press the **ENTER** key.

EVENT MAIL
Mail Delivery [ENT]
- 8** Press **▲▼** to select [Mail Address].

EVENT MAIL
Mail Address [ENT]
- 9** Press the **ENTER** key.

Mail Address
- 10** Press **▲▼◀▶** to set mail address.

 - Set the e-mail address to which you send the event mail.
 - Set it with alphanumeric characters and symbols within 96 characters.
- 11** Press the **ENTER** key.

EVENT MAIL
Mail Address [ENT]
- 12** Press the **END** key several times for terminating this function.

Set the subject

- 1** Press the **FUNCTION** key in LOCAL.

FUNCTION SETUP [ENT]

- 2** Press **▲▼** to select **[MACHINE SETUP]**.

FUNCTION MACHINE SETUP [ENT]

- 3** Press the **ENTER** key.

MACHINE SETUP AUTO Power-off [ENT]

- 4** Press **▲▼** to select **[NETWORK & MAIL]**.

MACHINE SETUP NETWORK & MAIL [ENT]

- 5** Press the **ENTER** key.

NETWORK & MAIL NETWORK [ENT]

- 6** Press **▲▼** to select **[EVENT MAIL]**.

NETWORK & MAIL EVENT MAIL [ENT]

- 7** Press the **ENTER** key.

EVENT MAIL Mail Delivery [ENT]

- 8** Press **▲▼** to select **[Message Subject]**.

EVENT MAIL Message Subject [ENT]

- 9** Press the **ENTER** key.

Message Subject TS500-#1 [ENT]

- 10** Press **▲▼◀▶** to set subject
 - Set the characters to write in the subject of the event mail.
 - Set it with alphanumeric characters and symbols within 8 characters.
- 11** Press the **ENTER** key.

EVENT MAIL Message Subject [ENT]

- 12** Press the **END** key several times for terminating this function.

Set the server



1	Press the FUNCTION key in LOCAL.	FUNCTION SETUP [ENT]
2	Press ▲▼ to select [MACHINE SETUP].	FUNCTION MACHINE SETUP [ENT]
3	Press the ENTER key.	MACHINE SETUP AUTO Power-off [ENT]
4	Press ▲▼ to select [NETWORK & MAIL].	MACHINE SETUP NETWORK & MAIL [ENT]
5	Press the ENTER key.	NETWORK & MAIL NETWORK [ENT]
6	Press ▲▼ to select [EVENT MAIL].	NETWORK & MAIL EVENT MAIL [ENT]
7	Press the ENTER key.	EVENT MAIL Mail Delivery [ENT]
8	Press ▲▼ to select [Server Setup] .	EVENT MAIL Server Setup [ENT]
9	Press the ENTER key.	SERVER SETUP SMTP Address [ENT]
10	Press the ENTER key. • Press the jog key ▲▼◀▶ to set SMTP server. • Input the SMYP server name.	SMTP Address
11	Press the ENTER key.	SERVER SETUP SMTP Address [ENT]
12	Press ▲▼ to select [SMTP Port No.] .	SERVER SETUP SMTP Port No. [ENT]
13	Press the ENTER key.	SMTP Port No. : 25

14 Press   to set [SMTP Port] .

- Set the SMTP port number.

15 Press the  key.



SERVER SETUP
SMTP Port No. [ENT]

16 Press the jog key   to select [Authentication] .

SERVER SETUP
Authentication [ENT]

17 Press the  key.

Authentication
:POP before SMTP

18 Press   to set authentication method .

- Set the authentication method of the SMTP server.
- When you select [OFF], proceed to the Step 32.

Authentication
:POP before SMTP




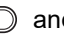
19 Press the  key.

SERVER SETUP
Authentication [ENT]

20 Press   to select [SENDER ADDRESS].

SERVER SETUP
SENDER ADDRESS [ENT]

21 Press the  key.

- Press     and set the e-mail address to be used as the sender mail address.
- Set it with alphanumeric characters and symbols within 64 characters.



- Depending on your server, if you do not set the e-mail address not supporting the account, sending/ receiving e-mails may be unavailable.

SENDER ADDRESS




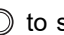
22 Press the  key.

SERVER SETUP
SENDER ADDRESS [ENT]

23 Press   to select [User Name].

SERVER SETUP
User Name [ENT]

24 Press the  key.

- Press     to set the user name to use for the authentication.
- Set it with alphanumeric characters and symbols within 30 characters.

User Name





25 Press the  key.

SERVER SETUP
User Name [ENT]

26 Press   to select [Pass Word] .

SERVER SETUP
Pass Word [ENT]


27 Press the  key.

- Press     to set the password to use for the authentication.
- Set it with alphanumeric characters and symbols within 15 characters.



- On the password setting screen, you can only check the value that you are currently inputting.

Pass Word


28 Press the  key.

- When you select [POP before SMTP] in the Step 16, set the items in the Step 27 to 31.

SERVER SETUP
Pass Word [ENT]

29 Press   to select [POP3 Addr.] .

SERVER SETUP
POP3 Address [ENT]

30 Press the  key.

- Press the jog key     to set POP server.
- Input the POP server name.

POP3 Address



31 Press the  key.

SERVER SETUP
POP3 Address [ENT]

32 Press   to select [APOP] .

SERVER SETUP
APOP [ENT]

33 Press the  key.

- Press   to set ON/ OFF of APOP.

APOP
: ON

34 Press the  key.

SERVER SETUP
APOP [ENT]

35 Press the  key several times for terminating this function.

Send a test e-mail

- 1** Press the **FUNCTION** key in LOCAL. FUNCTION
SETUP [ENT]
 - 2** Press **▲▼** to select **[MACHINE SETUP]**. FUNCTION
MACHINE SETUP [ENT]
 - 3** Press the **ENTER** key. MACHINE SETUP
AUTO Power-off [ENT]
 - 4** Press **▲▼** to select **[NETWORK & MAIL]**. MACHINE SETUP
NETWORK & MAIL [ENT]
 - 5** Press the **ENTER** key. NETWORK & MAIL
NETWORK [ENT]
 - 6** Press **▲▼** to select **[EVENT MAIL]**. NETWORK & MAIL
EVENT MAIL [ENT]
 - 7** Press the **ENTER** key. EVENT MAIL
Mail Delivery [ENT]
 - 8** Press **▲▼** to select **[Transmit Test]** . EVENT MAIL
Transmit Test [ENT]
 - 9** Press the **ENTER** key. Transmit Test
EXECUTE [ENT]
 - 10** Press the **ENTER** key. Transmit Test
Success [ENT]
- The sent result is displayed.
 - If sending test e-mail has failed, an error code is displayed.
Refer to the next page to solve the problem.
- Transmit Test
Failed: 12345 :ent

Error code
- 11** Press the **END** key several times for terminating this function.

Important!

- The sent result of the test e-mail is the result of e-mail sending process performed by this machine to the e-mail server. It does not indicate that the e-mail was received at the address.
- If the spam e-mail filter etc. has been set in the terminal in which e-mails are received, even if "Sending has been completed" is displayed, the e-mail cannot be received in some cases.
- If sending test e-mail has failed, the error code below is displayed.
- If the error cannot be solved, try again after a while.
- For the server setting etc., contact with the network administrator or the provider.

Error Code	The expected casus	Remedy
10	Network connection error	<ul style="list-style-type: none"> • Check that the machine is connected with the network. • Check that the machine IP address is correct. • Check that the machine is in the environment where DNS is available.
20	No valid e-mail address.	<ul style="list-style-type: none"> • Enter the correct e-mail address.
11003 11004	The POP server cannot be found. Or cannot access DNS server.	<ul style="list-style-type: none"> • Check the POP server address. • Check that the machine is in the environment where DNS is available.
11021	Cannot connect with the POP server.	<ul style="list-style-type: none"> • Check the POP server setting. • Check the firewall setting.
12010	An error returns from the POP server.	<ul style="list-style-type: none"> • Check the POP server setting.
13000	The POP authentication has failed.	<ul style="list-style-type: none"> • Check the user name and the password. • Check the APOP setting. • Confirm the authentication method.
10013 10014	The SMTP server cannot be found. Or cannot access DNS server.	<ul style="list-style-type: none"> • Check the SMTP server address. • Check that the machine is in the environment where DNS is available.
10021	Cannot connect with the SMTP server.	<ul style="list-style-type: none"> • Check the SMTP server setting. • Check the SMTP port number. • Check the firewall setting.
10*** 11*** 20*** 21***	An error returns from the SMTP server.	<ul style="list-style-type: none"> • Check the SMTP server setting. • Cannot communicate with a server that requires mandatory SSL communication. • Check protocol filter settings.
12***	It is invalid sender address.	<ul style="list-style-type: none"> • Check that the e-mail address supporting the account entered in the user name/ the password is set in SENDER ADDRESS.
13***	The e-mail address cannot be found.	<ul style="list-style-type: none"> • Check the e-mail address. • Even if there is a mistake in the e-mail address, this error cannot be detected in some cases.
22000 22008	SMTP authentication error	<ul style="list-style-type: none"> • Confirm the authentication method.
23*** 24*** 25***	The SMTP authentication has failed.	<ul style="list-style-type: none"> • Check the user name and the password.

“***” is the error code returned from the e-mail server.

Setting the Setting Lock function

You can freely specify a four digit password so that no one other than an administrator can perform network and mail settings.

Specifying the password for the network and event mail functions

- 1** Press the **FUNCTION** key in LOCAL.

FUNCTION SETUP	[ENT]
-------------------	-------
- 2** Press **▲** **▼** to select **[MACHINE SETUP]**.

FUNCTION MACHINE SETUP	[ENT]
---------------------------	-------
- 3** Press the **ENTER** key.

MACHINE SETUP AUTO Power-off	[ENT]
---------------------------------	-------
- 4** Press **▲** **▼** to select **[NETWORK & MAIL]**.

MACHINE SETUP NETWORK & MAIL	[ENT]
---------------------------------	-------
- 5** Press the **ENTER** key.

NETWORK & MAIL NETWORK	[ENT]
---------------------------	-------
- 6** Press **▲** **▼** to select **[SETTING LOCK]**.

NETWORK & MAIL SETTING LOCK	[ENT]
--------------------------------	-------
- 7** Press the **ENTER** key.

SETTING LOCK LOCK	:0000
----------------------	-------
- 8** Specify a freely chosen password (four digits) and press the **ENTER** key.
• A notification that setting has started is briefly displayed.

SETTING LOCK LOCK START	:????
----------------------------	-------
- 9** Press the **END** key several times for terminating this function.

Releasing the password for the network and event mail functions

- 1** Press the **FUNCTION** key in LOCAL.

FUNCTION
SETUP [ENT]
- 2** Press **▲▼** to select **[MACHINE SETUP]**.

FUNCTION
MACHINE SETUP [ENT]
- 3** Press the **ENTER** key.

MACHINE SETUP
AUTO Power-off [ENT]
- 4** Press **▲▼** to select **[NETWORK & MAIL]**.

MACHINE SETUP
NETWORK & MAIL [ENT]
- 5** Press the **ENTER** key.

NETWORK & MAIL
NETWORK [ENT]
- 6** Press **▲▼** to select **[SETTING LOCK]**.

NETWORK & MAIL
SETTING LOCK [ENT]
- 7** Press the **ENTER** key.

SETTING LOCK
LOCK :*****
- 8** Enter a four-digit password and press the **ENTER** key.

 - The screen on the right is displayed if releasing is a success.
 - The screen on the right is displayed to notify of failure if releasing is a failure.

SETTING LOCK
Release Success

SETTING LOCK
Release failure
- 9** Press the **END** key several times for terminating this function.

Important!

- If you forget the password, you can press the **FUNCTION** key displayed in the screen of Step 7 to display the password forced release screen.
Be careful as although you can press the **ENTER** key to forcibly release the password, items set for the network and event mail also return to their initial values, making it necessary to re-specify them.

SETTING LOCK
UNLOCK&INITIAL [ENT]



SETTING LOCK
INITIAL.OK? [ENT]

Charging ink

If auto charging is not possible, or if you want to check the content of the IC chip before charging ink, perform the following operation.

- 1** Press the **FUNCTION** key in LOCAL.

FUNCTION
SETUP [ENT]

- 2** Press **▲▼** to select [MAINTENANCE].

FUNCTION
MAINTENANCE [ENT]

- 3** Press the **ENTER** key.

MAINTENANCE
STATION [ENT]

- 4** Press **▲▼** to select [CHARGE INK].

MAINTENANCE
CHARGE INK [ENT]

- 5** Press the **ENTER** key.

CHARGE INK
SELECT: BOTTLE 1-M

- 6** Press **▲▼** to select the ink bottle to be charged.

CHARGE INK
SELECT: BOTTLE 1-M

- 7** Press the **ENTER** key.



- If the selected ink bottle is near its expiration date, a confirmation screen will appear. If OK, press **▶**.

Expiration
CHARGE ANYWAY ?

Expiration: 1MONTH
CHARGE ANYWAY ?

↕
Displayed
alternately

↕
Displayed
alternately

Expiration
NO < > YES

Expiration: 1MONTH
NO < > YES

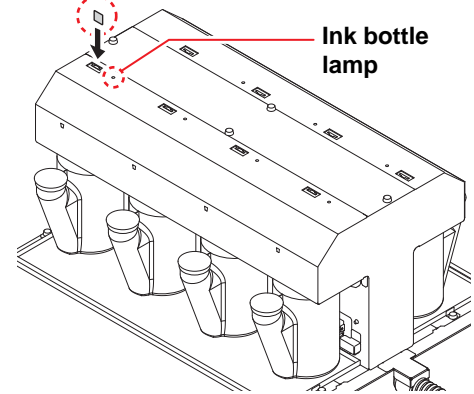
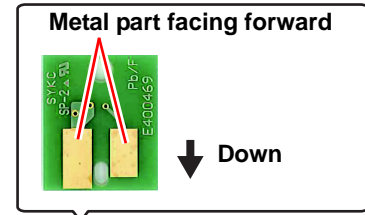
Important!

- The selected bottle cannot be charged in either of the following situations. (P.3-53)
 - (1) The volume of remaining ink managed by the printer is 100%.
 - (2) The ink expiration date has passed by 2 months or more.

8

Insert the IC chip included with the 1 liter ink bottle.

- When an IC chip is inserted into the printer and the information on the IC chip is loaded, the display will change as shown on the right.
- Insert the IC chip with the metal part facing forward and down. If you insert the wrong side by accident, it causes faulty or damage of the IC chip.
- Do not touch the metal part of the IC chip. It may break the IC chip by static, or may cause read error by stain or flaw.



CHARGE INK : BOTTLE1-M
PLEASE INSERT INK IC



- If the inserted IC chip is near its expiration date, a confirmation screen will appear. If OK, press

Set Ink Ic Chip
CHARGE ANYWAY ?

↕ Displayed alternately

Ink Ic Expiration
NO < > YES

IC Expiration:1MONTH
CHARGE ANYWAY ?

↕ Displayed alternately

IC Expiration:1MONTH
NO < > YES

Important!

- If there is a problem with the inserted IC chip that prevents charging, the screen shown on the right will appear.
- If there are multiple problems, use to scroll through them.

CHARGE INK : BOTTLE1-M
IC Expiration:2MONTH

9

When the [CHARGE START] confirmation screen appears, press .

- Charging starts.
- The ink information on the IC chip appears in the display.



- While the ink is charging, the screen on the right is displayed.
Do not remove the IC chip or turn the printer off.

BTL . 1-M/ IC 1000cc
CHARGE START [ENT]

** INK CHARGING **
BTL . 1-M/REMAIN 100%

10

When charging is complete, the buzzer will sound momentarily and then the screen on the right will appear in the display.

COMPLETE INK CHARGE
BTL . 1-M/REMAIN 100%



- To check the volume and expiration date of the ink that has been charged, press the key in Local. (🗨️ P.3-53)

Initializing the Settings

You can return the setting of "SETUP", "MAINTENANCE" and "MACHINE SETUP" to the status before shipment.

-
- | | | |
|----------|---|-------------------------|
| 1 | Press the FUNCTION key in LOCAL. | FUNCTION
SETUP [ENT] |
|----------|---|-------------------------|
-
- | | | |
|----------|--|---------------------------------|
| 2 | Press ▲ ▼ to select [MACHINE SETUP]. | FUNCTION
MACHINE SETUP [ENT] |
|----------|--|---------------------------------|
-
- | | | |
|----------|-----------------------------|---------------------------------------|
| 3 | Press the ENTER key. | MACHINE SETUP
AUTO Power-off [ENT] |
|----------|-----------------------------|---------------------------------------|
-
- | | | |
|----------|--|------------------------------|
| 4 | Press ▲ ▼ to select [RESET]. | MACHINE SETUP
RESET [ENT] |
|----------|--|------------------------------|
-
- | | | |
|----------|-----------------------------|-------------------------------|
| 5 | Press the ENTER key. | RSET ALL SETTING
OK? [ENT] |
|----------|-----------------------------|-------------------------------|
-
- | | | |
|----------|---|------------------------|
| 6 | Press the ENTER key.
• The already configured settings are initialized. | RESET
EXECUTE [ENT] |
|----------|---|------------------------|
-
- | | | |
|----------|--|--|
| 7 | Press the END key several times to end the setting. | |
|----------|--|--|
-

Confirming Machine Information

The information of this machine can be confirmed.
The following items can be confirmed as machine information.

Item	Description
ERROR HISTORY	This displays the history of errors and warnings to date. When you press , the date of occurrence (year/month/day/hour/minute) and the error/warning information are displayed alternately in the order of occurrence.
USAGE	WIPING
	PRINT LENGTH
	PRINT AREA
	USE TIME
	UV LAMP
	POST CURE UV
The information of this machine can be confirmed.	
VERSION	This displays the firmware version of the machine.
LIST	This allows you to print the settings of the machine.
Ink REPL. Report	This prints ink history of this machine.

Check the using status of the machine

You can check machine information such as wiping information and length printed by this machine.

1 Press the **FUNCTION** key in LOCAL.

FUNCTION
SETUP [ENT]

2 Press to select **[INFORMATION]**, and then press the **ENTER** key.

3 Press to select **[USAGE]**, and then press the **ENTER** key.

- The wiping Information is displayed.
- Every time you press the **ENTER** key, machine information below are displayed in series.

<p>WIPING Displays wiping information.</p>	WIPING = 0	<p>PRINT LENGTH Displays printed length up to now.</p>	PRINT LENGTH = 0m
<p>PRINT AREA Displays printed area up to now.</p>	PRINT AREA = 0m ²	<p>USE TIME Displays used time information of machine.</p>	USE TIME = 0h
<p>UV LAMP The used hours of the UV lamp is displayed by LED.</p>	UV LAMP1 :LED * = 0h * : A ~ H	<p>POST CURE UV The used hours of the post cure UV is displayed by lamp.</p>	POST CURE UV LAMP * = 0h * : 1 ~ 3

When you reset the used count of the Wiper
Press the **MAINT.** key while WIPING is displayed.
When you press the **ENTER** key, the number of wipings is reset.

WIPING
RESET? [ENT]

When you reset the used hours of the UV LAMP
Press the **MAINT.** key while WIPING is displayed.
When you press the **ENTER** key, the number of wipings is reset.

UV LAMP1 :LED *
RESET? [ENT]

When you reset the used hours of the Post Cure UV
Press the **MAINT.** key while WIPING is displayed.
When you press the **ENTER** key, the number of wipings is reset.

POST CURE UV LAMP *
RESET? [ENT]

3 Convenient use

Check the machine version information

- 1** Press the **FUNCTION** key in LOCAL.

FUNCTION
SETUP [ENT]
- 2** Press **▲** **▼** to select **[INFORMATION]**.

FUNCTION
INFORMATION [ENT]
- 3** Press the **ENTER** key.

INFORMATION
USAGE [ENT]
- 4** Press **▲** **▼** to select **[VERSION]**.

INFORMATION
VERSION [ENT]
- 5** Press the **ENTER** key.

 - The version Information is displayed.

UJV500 - 160 V1.50
MRL - III V2.00

Check the Error History

This section describes how to read error history.

<p>ERROR HISTORY</p> <p>Displaying the occurrence date</p> <div style="border: 1px solid black; padding: 5px; width: fit-content; margin-left: 100px;"> [00000] 2014/09/26 22:13:00 </div> <p style="text-align: center; margin: 10px 0;"> ◀ ▶ </p> <p>Displaying the contents of error</p> <div style="border: 1px solid black; padding: 5px; width: fit-content; margin-left: 100px;"> ERROR 12a HDC SPEED </div>	<p>VERSION</p> <p>Displaying the version information such as F/W or the like.</p> <div style="border: 1px solid black; padding: 5px; width: fit-content; margin-left: 100px;"> UJV500 - 160 V1.50 MRL - III V2.00 </div>
---	---

Displaying the Information of this machine

1 Press the **ENTER** key in LOCAL.

```
LUS - 150    MMCCYYKK
REMAIN      99999999
```

2 The information is displayed sequentially with the **ENTER** key .

- The information shown on the below appear.

Remaining amount of ink	Information of the charged ink (*1)	Charge result (*2)
LUS - 150 MMCCYYKK REMAIN 99999999	BTL . 1 - M : Limit 14 / 12 REMAIN 100%	COMPLETE INK CHARGE BTL . 1 - M : REMAIN 100%
	Press ▲ ▼ to switch bottles.	
Error (when ink error occurs)	Warning (when warning occurs)	Media width
WRONG INK IC MMCCYYKK	WARNING Replace a Wiper [MNT]	MEDIA WIDTH = 1000mm
Head gap	Media thick	Serial No.
HEAD GAP = 2.0mm	MEDIA THICKNESS = 0.1mm	SERIAL No . : *****
Version	RECOVERY NOZZLE	
UJV500 - 160 V1.50 MRL - 111 V2.00	RECOVERY NOZZLE : * CONFIRM DETAILS [MNT]	
	Press the MAINT. key and confirm the description	

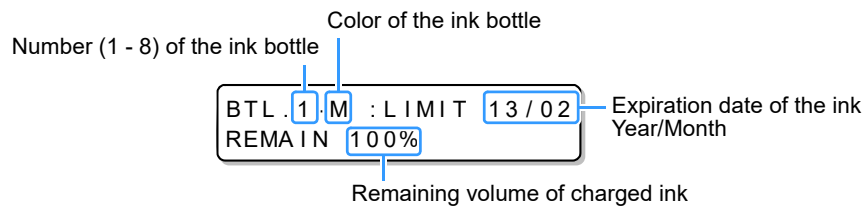
3 Press the **ENTER** key to return to LOCAL.



Checking the information of the charged ink (*1)

- When the information for the charged ink is displayed, press **▲** **▼** to scroll through the status of ink bottles 1 - 8.

When the information for charged ink is displayed





Important!

- If the remaining volume of the charged ink is 100%, no more ink can be charged. Wait until the "REMAIN" has dropped below 100% to charge ink again.
- If the remaining volume of charged ink falls to 10% or less, the warning message [CHARGE INK NEAREND] will appear. Charge ink at this time. (P.3-48)
- If the remaining volume of charged ink falls to 0%, the warning message [CHARGE INK END] will appear and no ink can be used. Charge ink at this time. (P.3-48)



Checking the charge result (*2)

- When the charge result is displayed, press   to scroll between the “Remaining amount of ink” and the “Expiration date of the ink” after the charge.
- If the charge failed, the second line of the display will display the reason the charge could not be performed.

INVALID CHARGE : BTL . 1
 * * * * *

When the charge result is displayed

Remaining amount of ink

COMPLETE INK CHARGE
 BTL . 1 - M : REMAIN 100%



Expiration date of the ink Year/Month

COMPLETE INK CHARGE
 BTL . 1 - M : Expire 14 / 12



- If you turn off the printer's power, the charge result is cleared.

Chapter 4

Maintenance



This chapter

describes the items required to use this machine more comfortably, which are the methods for the daily care, the maintenance of the ink unit etc.






Maintenance	4-2	Automatic Maintenance Function	4-27
Precautions for Maintenance	4-2	Setting the Refreshing Intervals	4-27
About Cleaning Solution	4-2	Setting the Cleaning Intervals	4-28
Cleaning the Exterior Surfaces	4-3	About white ink circulation function	4-28
Cleaning the Platen	4-3	Cleaning Y motor	4-29
Cleaning of post heater cover and pre heater cover	4-4	Discarding waste ink	4-30
Cleaning the Media Sensor	4-4	If a Waste Ink Tank Confirmation Message Appears	4-30
Cleaning the Media Press	4-5	Replacing consumables	4-32
Maintaining the Capping Station	4-6	Replacing the wiper	4-32
Cleaning the Wiper and Cap	4-6	Replacing the Cutter Blade	4-33
Washing the Ink Discharge Passage (DISWAY WASH)	4-10	About time to replace lamp	4-35
When the Machine Is Not Used for a Long Time (CUSTODY WASH)	4-11	Replacing ink absorption material	4-37
Cleaning the Head and the Area around It .	4-14	Replacing the carriage filter	4-39
When Nozzle Clogging Cannot Be Solved .	4-17	Replacing the mist filter	4-41
Washing of Head nozzle	4-17	Replacing the air cleaning filter	4-43
Fill from the sub-tank to the head with ink .	4-19	Refilling antifreeze mixed water	4-45
If nozzle missing due to color mixture of ink or aeration	4-20	Refill antifreeze mixed water	4-46
Alternative nozzles for printing, when nozzles missing can not be improved	4-23		

Maintenance

Maintain the machine regularly or as necessary so that its accuracy will be maintained and it can continue to be used for a long time.

Precautions for Maintenance

Pay attention to the following items when maintaining this machine.

	<ul style="list-style-type: none">• When using cleaning solution for maintenance, be sure to wear the supplied glove and protective glasses.
	<ul style="list-style-type: none">• Never disassemble the machine. Disassembling it can result in electric shock hazards or damage to the machine. Before maintenance, be sure to turn off the power button and main power switch, and unplug the power cable; otherwise, an unexpected accident may occur.
	<ul style="list-style-type: none">• Prevent moisture from entering the machine. Moisture inside the machine can cause electric shock hazards or damage to the machine.
	<ul style="list-style-type: none">• To ensure stable ink jetting, it is necessary for the machine to eject a small amount of ink (flushing) regularly when a printing (outputting) operation has not been performed for a long time.• When the machine is not to be used for a long time, turn off only the power button on the front side, leave the main power switch at the side turned ON (in the position of), and leave the power cable connected.
	<ul style="list-style-type: none">• Do not use benzine, thinner, or any chemical agent containing an abrasive. Such materials can deteriorate or deform the surface of the cover.• Do not apply a lubricant, etc. to any parts inside the machine. Doing so can cause printing failure.• Be careful that the cleaning solution, ink, etc. not to stick to the cover because this may cause the surface of the cover to deteriorate or deform.

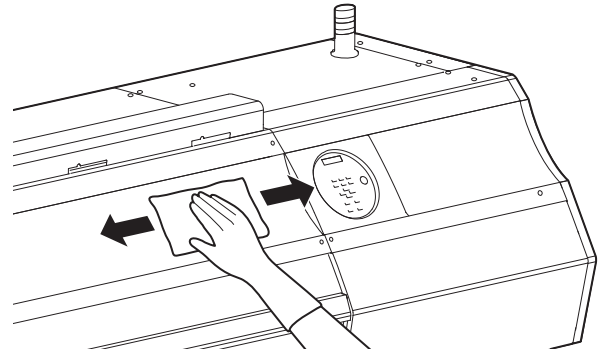
About Cleaning Solution

Use the cleaning liquid dedicated for the ink being used.

Type of Ink	Applicable maintenance washings
UV ink	Washing liquid for maintenance (SPC-0568)

Cleaning the Exterior Surfaces

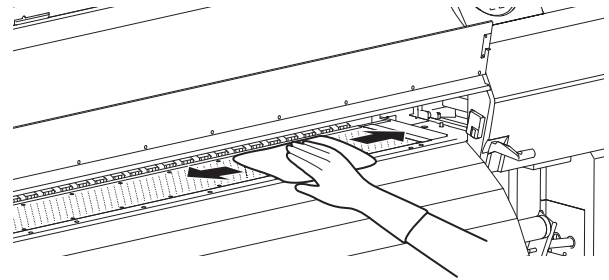
When the exterior surfaces of the machine are stained, dampen a soft cloth with water or a neutral detergent diluted with water, squeeze it, and wipe the surfaces with the cloth.



- Do not allow liquids to enter the machine. There is a risk of equipment failure, electric shock, or fire.

Cleaning the Platen

Continuing to use the media while it is dirty may cause media to be fed incorrectly, or rubbing dirt or solid ink onto the head nozzle surface, resulting in discharge failure (nozzle clogging, deflection, etc.).



- Turn off the main power and unplug the power cable before maintenance.
- Do not allow liquids to enter the machine. There is a risk of equipment failure, electric shock, or fire.



- When the platen is stained with ink, wipe it off with a paper towel containing a small amount of cleaning solution for maintenance.



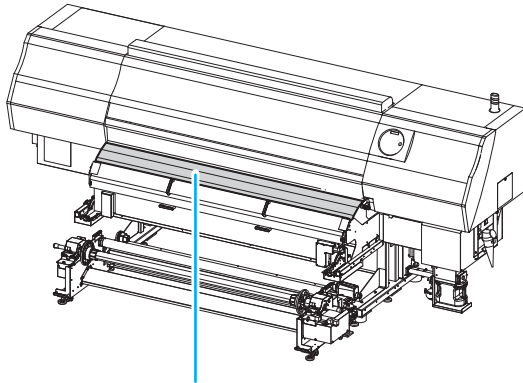
- Before cleaning the platen, make sure that the platen has cooled adequately.
- Because dust and dirt are easily accumulated in the slots for holding a media and cutting paper (cutter slot), be sure to clean these parts carefully.

Cleaning of post heater cover and pre heater cover

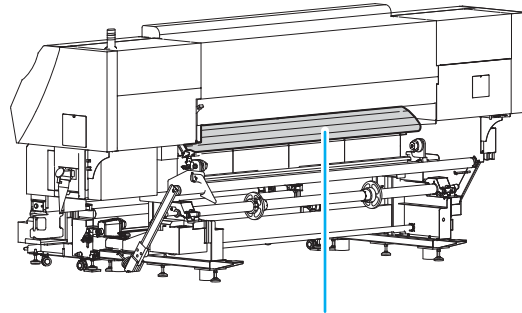
The post heater cover and the pre heater cover are easy to be dirty because of the powder of the media etc. If it shows dirt, wipe it with a soft cloth soaked in water or waterish mild detergent and wrung.

Important!

- Before cleaning the cover, be sure to check that the heater temperature is low enough.



Post heater cover



Pre heater cover

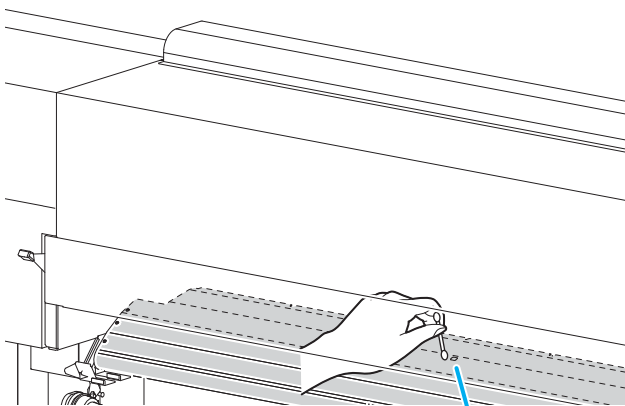
Cleaning the Media Sensor

The media sensors are located on the platen in the backside and the bottom surface of the head. When the sensor is covered with dust, etc., it may cause false detection of media.

Using a cotton swab, remove the dust, etc. accumulated on the surface of the sensor.

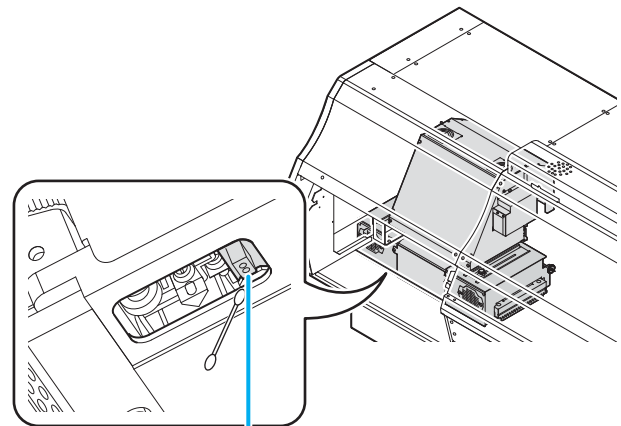
When cleaning the sensor on the lower surface of the head is cleaned, move the carriage to the left end by the operations of step 1 of P.4-14 "Cleaning the Head and the Area around It", and then clean it.

The backside of the machine



Media sensor

The lower surface of the head



Media sensor

Cleaning the Media Press

When the media press is covered with lint, dust, etc., a media cannot be fed normally during printing or dust sticks to the nozzles, which may result in abnormal printing.

Clean the media press regularly with a dry cloth or paper towel.

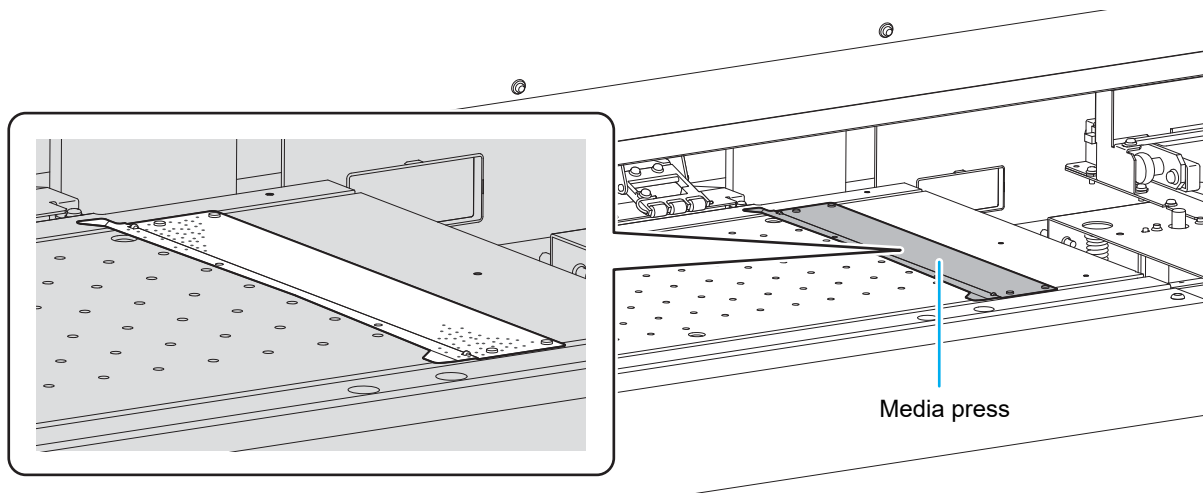
If there is ink on the media press, wipe it away with a clean stick dipped in washing liquid for maintenance.



- Turn off the main power and unplug the power cable before maintenance.
- Do not allow liquids to enter the machine. There is a risk of equipment failure, electric shock, or fire.



- When using washing liquid for maintenance, be sure to wipe it away completely so that none remains on the media press.



Maintaining the Capping Station

Maintain the ink cap, wiper, etc. located in the capping station. (STATION MAINT.)

The ink cap and wiper function as follows.

- **Wiper** : It wipes off ink sticking to the head nozzles.
- **Ink cap** : It prevents the head nozzles from clogging due to dryness.

As the machine is used repeatedly, the wiper and ink cap gradually become dirty with ink, dust, etc.

If nozzle missing cannot be corrected even after head cleaning (☞ P.2-32) has been performed, use a Washing liquid for maintenance and clean stick.

Tools required for Maintenance	Washing liquid for maintenance (SPC-0568)		
	• Clean stick (SPC-0527)	• Gloves	• Safety glasses



- Be sure to wear the supplied safety glasses and gloves when maintaining the capping station. Otherwise, you may get ink in your eyes.
- Do not move the carriage out of the capping station by hand. When it is desirable to move the carriage, press the **(MAINT.)** key to execute the carriage-out. (☞ P.4-6 Steps 1 to 2)
- Be sure to perform maintenance for the ink cap and the wiper of capping station every day. If you leave it dirty, dirt may adhere to the nozzle surface, or, dust and dry ink may be rubbed against the nozzle. It may cause discharge defect.
- While working, be careful to avoid subjecting the capping station to direct sunlight. Ultraviolet light will cure UV ink. Take measures to block sunlight, such as closing the curtains on windows.

Cleaning the Wiper and Cap

It is recommended that the wiper and cap be cleaned frequently in order to maintain the high image quality of the machine and keep the machine itself in good working order.



- When work is complete at the end of the day, clean the wipers and surrounding areas.
- Replace the wiper with a new one when it is extremely dirty or bent. (☞ P.4-32)
- When cleaning the wiper, be careful that lint from the clean stick does not get left on the wiper. Remaining lint may cause image quality to deteriorate.

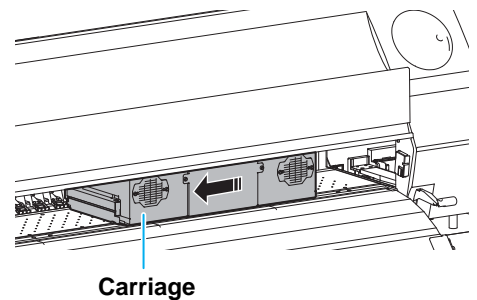
- 1** Press the **(MAINT.)** key in LOCAL.

CARRIAGE OUT
[ENT]
- 2** Press the **(ENTER)** key.

MOVE POSITION
: STATION MAINT.
- 3** Press **(▲)** **(▼)** to select [STATION MAINT.].

MOVE POSITION
: STATION MAINT.
- 4** Press the **(ENTER)** key.

 - The carriage moves onto the platen.

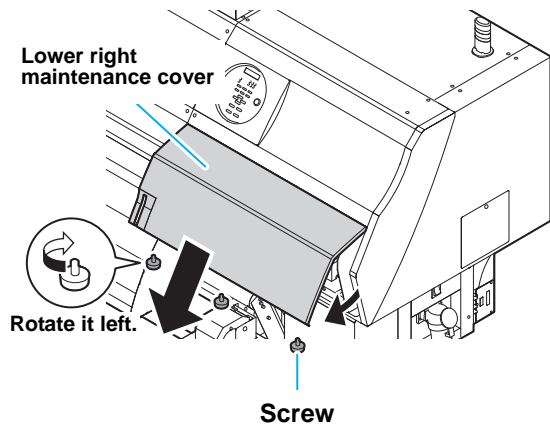


5

Open the lower right maintenance cover.

- (1) Rotate the screws under the lower right maintenance cover (for three positions) to the left and remove them.
- (2) Hold the bottom of the lower right maintenance cover and pull it to the front.
- (3) While pulling the lower right maintenance cover downward, remove it.

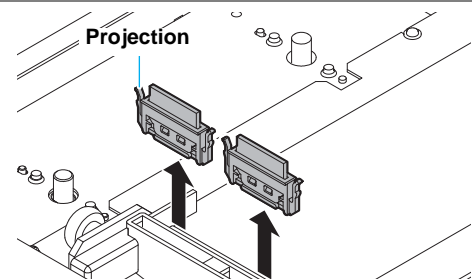
- If the lower right maintenance cover is hard to remove, use the supplied screwdriver.



6

Remove the wiper.

- Pull out the wiper by holding the protrusions at its both ends.



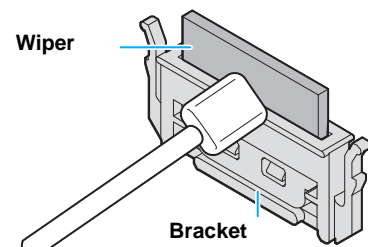
7

Clean the wiper and bracket.

- Wipe off the ink sticking to the wiper and bracket with a clean stick dipped in cleaning solution for maintenance. Wipe off so that cleaning solution for maintenance will not remain.

Important!

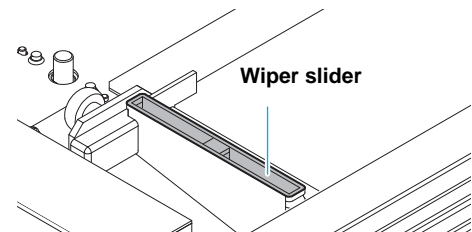
- Clean the wiper and bracket until it looks as shown in the photo on the right.
- After cleaning, make sure that the bracket and wiper are aligned horizontally.



8

Clean the wiper slider.

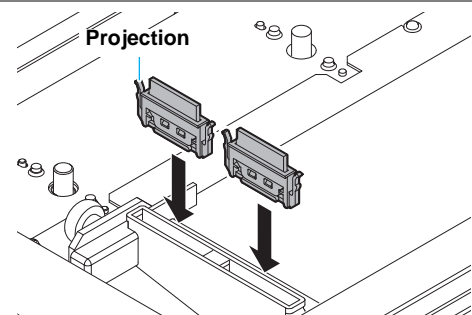
- Wipe off the ink sticking to the wiper slider with a clean stick dipped in cleaning solution for maintenance. Wipe off so that cleaning solution for maintenance will not remain.



9

Set the wiper at the original position.

- Insert the wiper by holding both ends of the wiper.



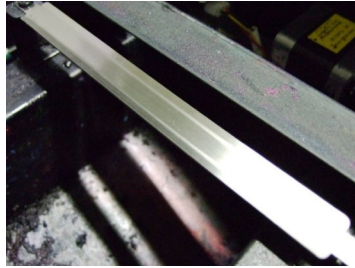
10

Clean the wiper blade.

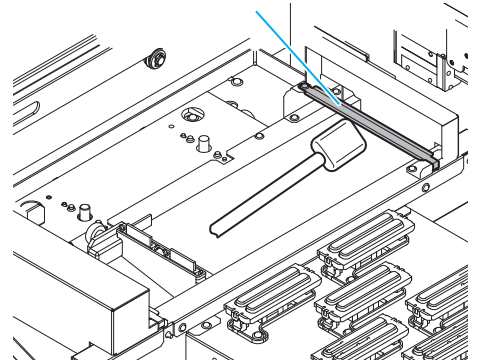
- Soak the clean stick in the maintenance cleaning liquid, and then remove the ink that has adhered to the wiper blade.

Important!

- Make sure to be careful with the edge of the wiper blade, and thoroughly clean the side (back side) where the wiper touches.
- Clean the wiper blade until it looks as shown in the photo below.



Wiper blade



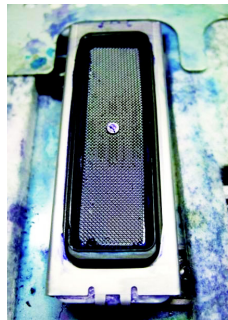
11

Clean the cap rubber and cap rubber cover.

- Wipe off the ink sticking to the cap rubber and cap rubber cover with a clean stick dipped in cleaning solution for maintenance. Wipe off so that cleaning solution for maintenance will not remain.

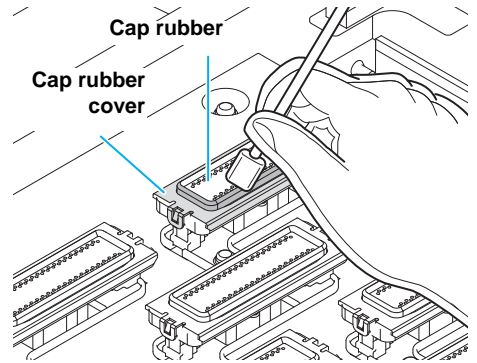
Important!

- Clean the wiper until it looks as shown in the photo on the right.
- Make sure that the cap rubber and mesh inside the cap have not come off after cleaning.



Cap rubber

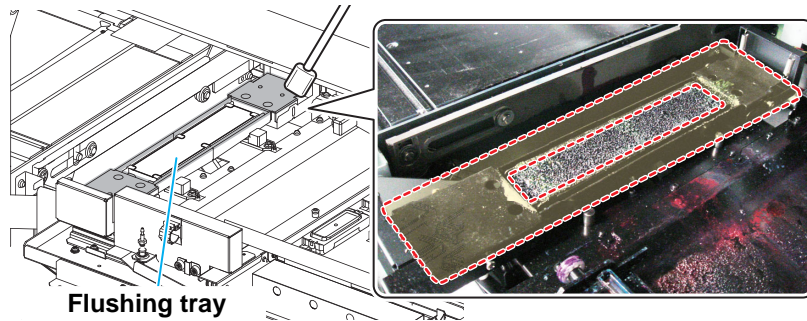
Cap rubber cover



12

Clean the flushing tray.

- Wipe off the ink of the cap rubber and cap cover with clean stick or waste cloth dipped in cleaning solution for maintenance.



Flushing tray



- The coating may peel, but this does not cause any functional problems. It may get stuck to the carriage, though, so peel and wipe away any coating that is peeling.

13

Press the **ENTER key after the cleaning.**

Close a cover
COMPLETED [ENT]

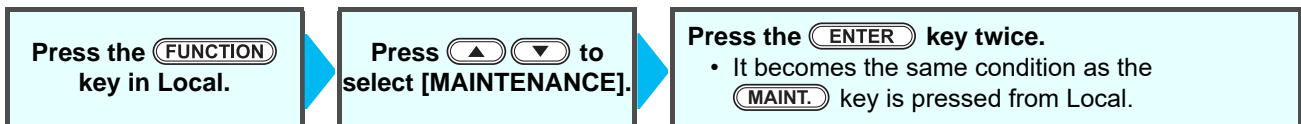
14

Close the lower right maintenance cover then press the **ENTER key.**

- After its initial operation, the machine returns to step1.

Performing the station maintenance without **MAINT. key**

You can select station maintenance by using the **FUNCTION** key in the Local without pressing the **MAINT.** key.



Washing the Ink Discharge Passage (DISWAY WASH)

Wash the ink discharge passage on a regular basis (once every 2 - 3 months) to prevent ink coagulation from clogging the passage.

1

Press the **MAINT.** key in LOCAL.

CARRIAGE OUT

[ENT]

2

Press **▲▼** to select [DISWAY WASH].

DISWAY WASH

[ENT]

3

Press the **ENTER** key.

- The carriage moves onto the platen.
- Dry suction operation is performed repeatedly until the washing work is completed.

DISWAY WASH

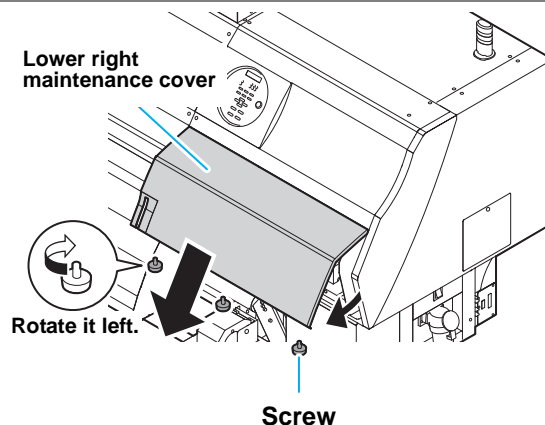
COMPLETED (NEXT) [ENT]

4

Open the lower right maintenance cover.

- (1) Rotate the screws under the lower right maintenance cover (for three positions) to the left and remove them.
- (2) Hold the bottom of the lower right maintenance cover and pull it to the front.
- (3) While pulling the lower right maintenance cover downward, remove it.

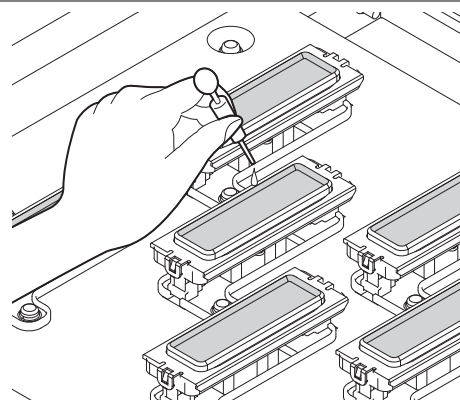
- If the lower right maintenance cover is hard to remove, use the supplied screwdriver.



5

Fill up the cap with cleaning solution for maintenance, using a dropper.

- Fill the cap with the cleaning solution just before the solution overflows from the cap.



6

Close the lower right maintenance cover and press the **ENTER** key.

- After the idle absorbing operation has been performed for 30 seconds, the screen returns to step2.

DISWAY WASH
PLEASE WAIT

When the Machine Is Not Used for a Long Time (CUSTODY WASH)

When the machine is not going to be used for a week or more, use the cleaning function for custody to clean the head nozzles and ink discharge passage. After this, keep the machine in custody.

<p>Check the items on the right beforehand.</p>	<p>Is [INK END] displayed?</p> <ul style="list-style-type: none"> • The ink is absorbed when the nozzles are washed. At this time, if the state of "INK END" is detected, the nozzle washing operation cannot start. • Add ink in the ink bottle of the external ink supply unit.
--	---

1 Press the **[MAINT.]** key in LOCAL.

CARRIAGE OUT [ENT]

2 Press **[▲]** **[▼]** to select **[CUSTODY WASH]**.

CUSTODY WASH [ENT]

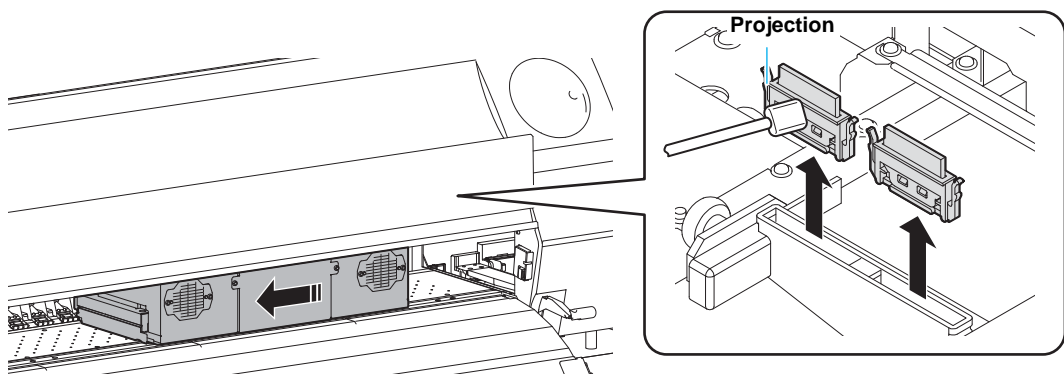
3 Press the **[ENTER]** key.

- The carriage moves onto the platen.

WIPER CLEANING COMPLETED (NEXT) [ENT]

Important! • Until wiper/ bracket cleaning is completed, [COMPLETED (NEXT): ENT] is displayed on the screen. After the work up to the step 4 is completed, press the **[ENTER]** key. If you press the **[ENTER]** key before cleaning is completed, the machine moves to the next washing procedure.

- 4** Clean the wiper and the bracket.
- (1) Open the lower right maintenance cover then pull out it by holding projections at both ends of the wiper.
 - (2) Clean the wiper and bracket with a clean stick dipped in cleaning solution for maintenance (SPC-0568). Wipe off so that cleaning solution for maintenance will not remain.
 - (3) Insert it in the original position by holding the projections at both ends of the wiper.



5**Press the **ENTER** key.**

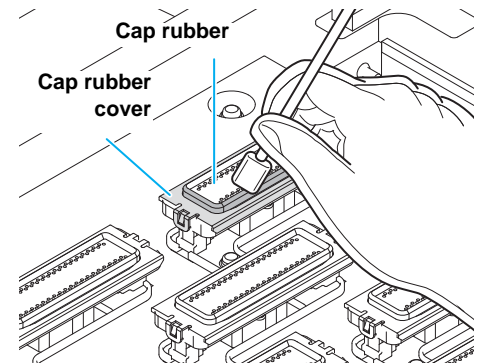
- The carriage moves onto the platen.

Important!

- Until wiper cleaning is completed, [COMPLETED (NEXT): ENT] is displayed on the screen. After the work up to the step 6 is completed, press the **ENTER** key. If you press the **ENTER** key before cleaning is completed, the machine moves to the next washing procedure.

CAP CLEANING
COMPLETED (NEXT) [ENT]**6****Clean the cap rubber and cap rubber cover.**

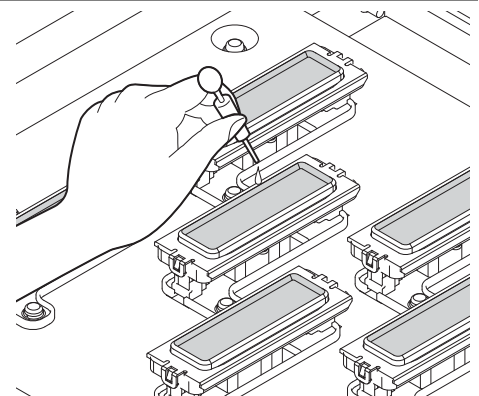
- Wipe off the ink sticking to the cap rubber and cap rubber cover with a clean stick dipped in cleaning solution for maintenance. Wipe off so that cleaning solution for maintenance will not remain.
- At this time, the discharge passage is cleaned automatically.

**7****Press the **ENTER** key.****Important!**

- Until washing liquid is filled, [COMPLETED (NEXT): ENT] is displayed on the screen. After the work up to the Step 8 is completed and you close the front cover, press the **ENTER** key. If you press the **ENTER** key before washing liquid is filled, the carriage returns to the original position.

Fill the liquid.
COMPLETED (NEXT) [ENT]**8****Fill up the cap with cleaning solution for maintenance, using a dropper.**

- Fill the cap with the cleaning solution just before the solution overflows from the cap.

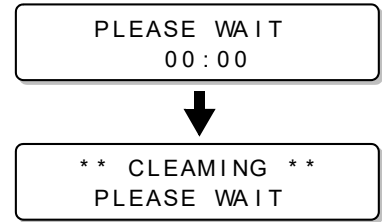
**9****Close the lower right maintenance cover and press the **ENTER** key.**LEAVING TIME
= 1 min**10****Press **▲** **▼** to set the time for the cleaning solution to be left as it is.**

- Set Value: 1 to 99 min (by the unit of 1 min)

LEAVING TIME
= 2 min

11 Press the **ENTER** key.

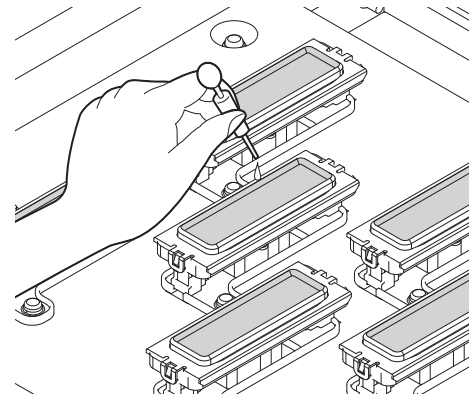
- The nozzles are washed.
- When the nozzles have been completely washed, the head moves onto the platen.



12 Open the lower right maintenance cover.

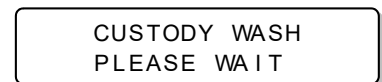
13 Fill up the cap with cleaning solution for maintenance, using a dropper.

- Fill the cap with the cleaning solution just before the solution overflows from the cap.



14 Close the lower right maintenance cover and press the **ENTER** key.

- After its initial operation, the machine returns to step2.



Cleaning the Head and the Area around It

Because the head employs a very precise mechanism, due care needs to be taken when it is cleaned. Using a clean stick, etc., rub off gelatinous ink or dust that may stick to the lower part of the slider and the area around the head. In doing so, never rub the nozzles of the head.

Tools required for cleaning	• Clean stick (SPC-0527)	• Gloves	• Safety glasses
------------------------------------	--------------------------	----------	------------------



- When work is complete at the end of the day, clean the area around the head.
- Be sure to wear the attached safety glasses and gloves when cleaning the area around the head. Otherwise, you may get ink in your eyes.
- If you get the ink on your skin or in your eyes, wash it away with plenty of water immediately.
- Clean the bottom of carriage every day so that it will not get dirt from inks or dusts. If you leave it dirty, dust and dry ink may be rubbed against the nozzle at wiping operation when performing head cleaning.
- When you clean the carriage bottom surface, fully be careful not to rub the nozzle surface.
- While working, be careful to avoid subjecting the capping station to direction sunlight. Ultraviolet light will cure UV ink. Take measures to block sunlight, such as closing the curtains on windows.

1 Press the **MAINT.** key in LOCAL.

CARRIAGE OUT [ENT]

2 Press the **ENTER** key.

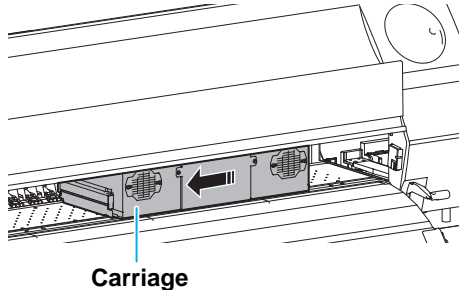
MOVE POSITION : STATION MAINT.

3 Press **▲ ▼** to select [HEAD MAINT.].

MOVE POSITION : HEAD MAINT.

4 Press the **ENTER** key.

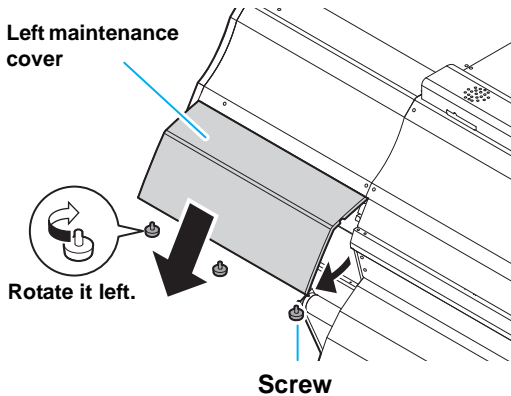
- Carriage will move to the left end of this machine.



5 Open the left maintenance cover.

- (1) Rotate the screws under the left maintenance cover (for three positions) to the left and remove them.
- (2) Hold the bottom of the left maintenance cover and pull it to the front.
- (3) While pulling the left maintenance cover downward, remove it.

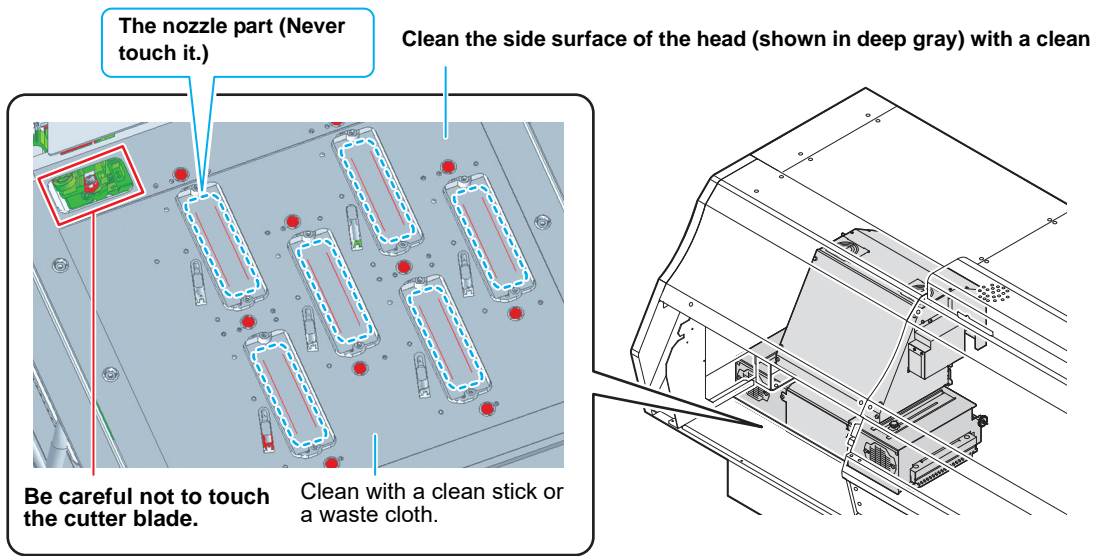
- If the left maintenance cover is hard to remove, use the supplied screwdriver.



6

Wipe ink sticking to the side of the head off with a clean stick.

- Never rub the nozzles.



Important!

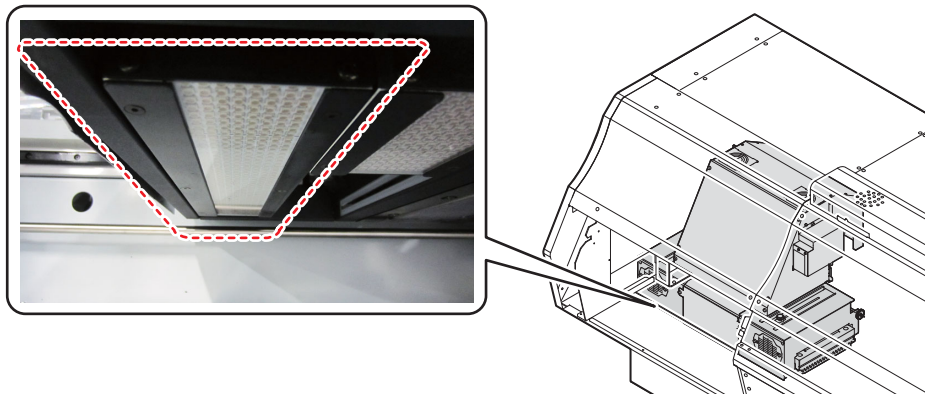
- Clean the wiper until it looks as shown in the photo on the right.



7

Clean the bottom surface of the UV lamp.

- If there is any ink stuck on the rear side of the bottom surface of the UV lamp, apply the cleaning solution for maintenance to a clean stick and wipe the ink away. Wipe off so that cleaning solution for maintenance will not remain.



8

Press the **ENTER** key after the cleaning.

Close a cover
COMPLETED [ENT]

9

Close the left maintenance cover then press the **ENTER** key.

When Nozzle Clogging Cannot Be Solved

When nozzle clogging cannot be solved even after the head cleaning (☞ P.2-32) has been done, perform the following three functions:

NOZZLE WASH	• Wash the head nozzle. (☞ P.4-17)
HEAD FILLUP	• Fill the head with ink. (☞ P.4-19)
NOZZLE RECOVERY	• Alternative nozzles for printing, when nozzles missing can not be improved. (☞ P.4-23)

Washing of Head nozzle

Perform cleaning of the nozzles in the heads to prevent them being clogged with coagulated ink.

Check the items on the right beforehand.	<p>Is [INK END] displayed?</p> <ul style="list-style-type: none"> • The ink is absorbed when the nozzles are washed. At this time, if the state of "INK END" is detected, the nozzle washing operation cannot start. • Add ink in the ink bottle of the external ink supply unit.
---	--



- While working, be careful to avoid subjecting the capping station to direction sunlight. Ultraviolet light will cure UV ink. Take measures to block sunlight, such as closing the curtains on windows.

1 Press the **MAINT.** key in LOCAL.

CARRIAGE OUT [ENT]

2 Press **▲ ▼** to select **[NOZZLE WASH]**.

NOZZLE WASH [ENT]

3 Press the **ENTER** key.

- The carriage moves onto the platen.

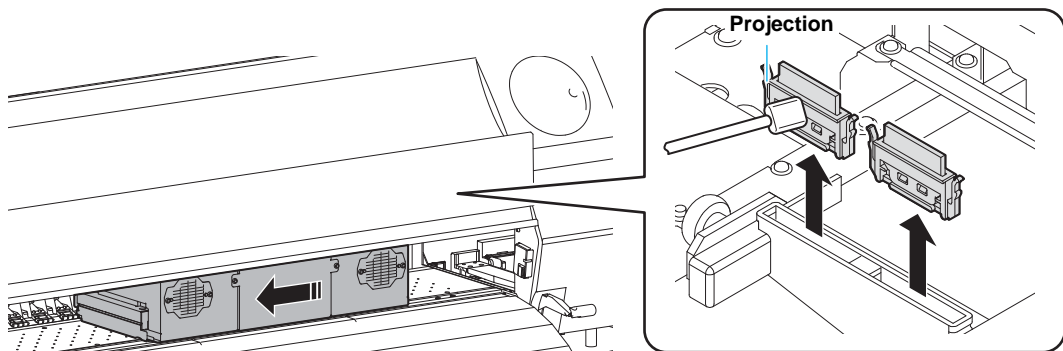
WIPER CLEANING COMPLETED (NEXT) [ENT]



- Until wiper cleaning is completed, [COMPLETED (NEXT): ENT] is displayed on the screen. After the work up to the step 4 is completed, press the **ENTER** key. If you press the **ENTER** key before cleaning is completed, the machine moves to the next washing procedure.

4 Clean the wiper and the bracket.

- (1) Open the lower right maintenance cover then pull out it by holding projections at both ends of the wiper.
- (2) Clean the wiper and bracket with a clean stick dipped in cleaning solution for maintenance. (SPC-0568) Wipe off so that cleaning solution for maintenance will not remain.
- (3) Insert it in the original position by holding the projections at both ends of the wiper.



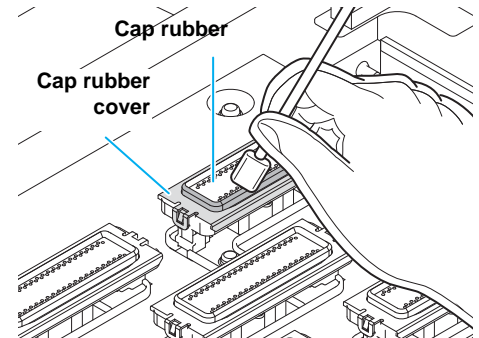
5Press the **ENTER** key.CAP CLEANING
COMPLETED (NEXT) [ENT]**Important!**

- Until wiper cleaning is completed, [COMPLETED (NEXT): ENT] is displayed on the screen. After the work up to the step 6 is completed, press the **ENTER** key. If you press the **ENTER** key before cleaning is completed, the machine moves to the next washing procedure.

6

Clean the cap rubber and cap rubber cover.

- Wipe off the ink sticking to the cap rubber and cap rubber cover with a clean stick dipped in cleaning solution for maintenance. Wipe off so that cleaning solution for maintenance will not remain.
- At this time, the discharge passage is cleaned automatically.

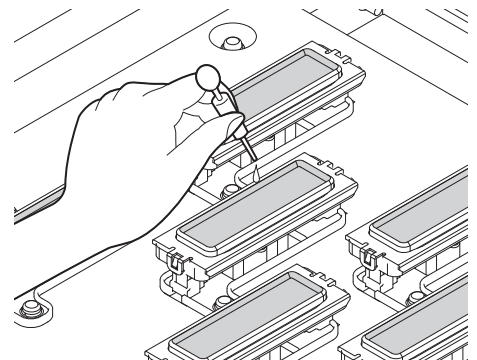
**7**Press the **ENTER** key.Fill the liquid.
COMPLETED (NEXT) [ENT]**Important!**

- Until washing liquid is filled, [COMPLETED (NEXT): ENT] is displayed on the screen. After the work up to the Step 8 is completed and you close the front cover, press the **ENTER** key. If you press the **ENTER** key before washing liquid is filled, the carriage returns to the original position.

8

Fill up the cap with cleaning solution for maintenance, using a dropper.

- Fill the cap with the cleaning solution just before the solution overflows from the cap.

**9**Close the lower right maintenance cover then press the **ENTER** key.LEAVING TIME
= 1min**10**Press **▲** **▼** to set the time for the cleaning solution to be left as it is.LEAVING TIME
= 2min

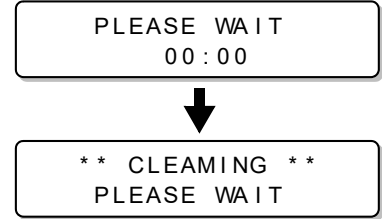
- **Set value** : 1 to 15 minutes (Unit: minute)

Important!

- When LUS-120 ink is used, the standing time cannot be set because the standing time is fixed at 1 minute.

11 Press the **ENTER** key.

- The cleaning solution filled in the cap is absorbed.
- The screen on the right is displayed only for the duration set in the step 10.
- It returns to the step2 after the duration.



Important!

- When nozzle missing is not cleared even after this washing is carried out several times, contact the distributor in your region or our service office.

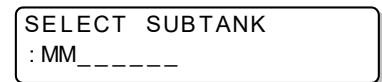
Fill from the sub-tank to the head with ink

Fill from the sub-tank to the head with ink.
 If air gets into the head, nozzle clogging can occur in a random location.
 If this happens, perform the following operation.

1 Select **[HEAD FILLUP]** of the maintenance menu.

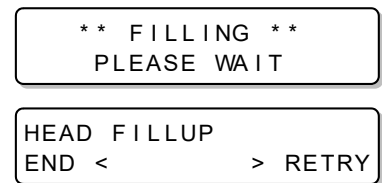
- (1) Press the **FUNCTION** key in LOCAL.
- (2) Press **▲** **▼** to select **[MAINTENANCE]** and press the **ENTER** key.
- (3) Press **▲** **▼** to select **[HEAD FILLUP]**.
- (4) Press the **ENTER** key.

2 Press **▲** **▼** **◀** **▶** to select the sub-tank to fill.



3 Press the **ENTER** key.

- Start filling the head.
- When filling is complete, the screen on the right appears. Press **◀** **▶**, and then select "END" or "RETRY". If "R" is selected, the operation returns to Step 2.



4 Press the **END** key several times to end the setting.

If nozzle missing due to color mixture of ink or aeration

If nozzle missing occurs due to color mixture of ink in the head or aeration, push ink or air in the head out from the port.

- Important!** • Ink may drop from the nozzle during air ventilation. An operator should not leave this machine during air ventilation.

1 Select [AIR PG] of the maintenance menu.

- (1) Press the **FUNCTION** key in LOCAL.
- (2) Press **▲** **▼** to select [MAINTENANCE] and press the **ENTER** key.
- (3) Press **▲** **▼** to select [AIR PG].

2 Press the **ENTER** key.

- The station moves downward to the empty absorption position.
- When it lowers to the empty absorption position, "Open Cover" is displayed on the screen.

PLEASE WAIT

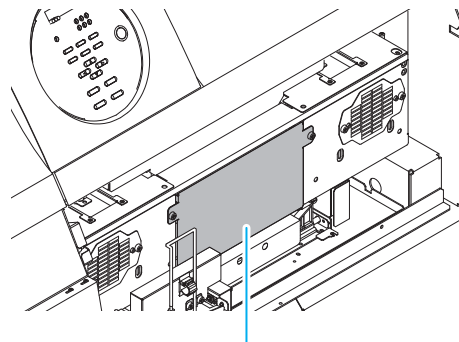
3 Open the right lower maintenance cover of this machine.

- When you open the right lower maintenance cover, the message indicated in the right figure is displayed on the screen.

Open Cover
COMPLETED [ENT]

4 Open the maintenance cover before the carriage.

- Important!** • After the work has been completed, attach the removed cover as soon as possible. If you leave it for a long time, UV light may affect ink.



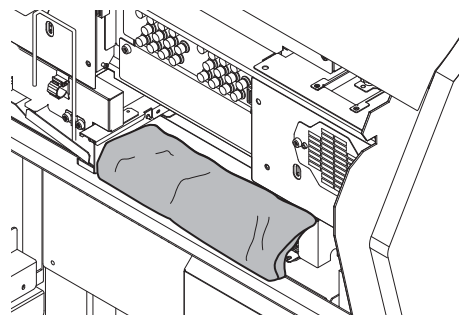
Maintenance cover

5 Press the **ENTER** key.

6 Cover the rail part before the station with a waste cloth etc.

- Important!** • Be sure to cover the rail part before performing the work. If ink drops on the rail part, ink will be hardened and it may cause the operation defect.

SET THE WASTE CLOTH
COMPLETED [ENT]



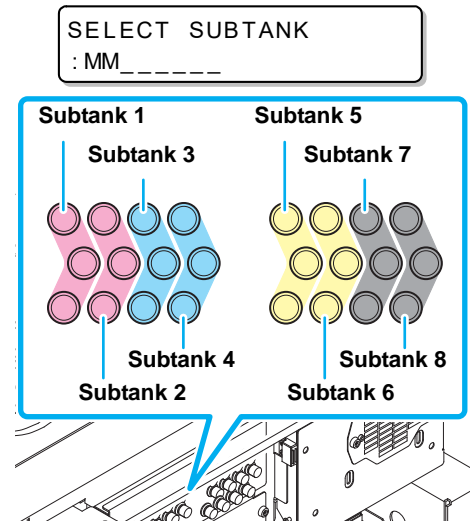
7

Press the **ENTER** key.

8

Select the nozzle line to perform air purge.

- (1) Press **←** **→** **▲** **▼** and select the subtank.
- (2) Press the **ENTER** key to register.
 - The preparation operation is performed. Wait for a while until the display changes.

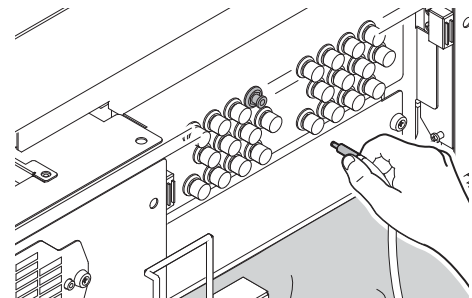


9

Open the valve of the ink port and set the air purge jig.

Important!

- When the valve is hard to open, use the attached longnose pliers and open.



10

Discharge ink or purge air from inkport.

- When you press the **ENTER** key, ink is discharged from the port for a certain period of time.
- When discharging has been completed, "REMOVE THE TOOL" is displayed on the screen. Do not remove the jig until the message is displayed.

DISCHARGE
START [ENT]

11

Remove the jig from the ink port and close the ink port valve.

REMOVE THE TOOL
COMPLETED [ENT]

12

Press the **ENTER** key.

- Supply ink for the subtank with less ink. Wait for a while until the display changes.
- When you perform the work continuously, perform the procedures from the Step 8 to 11.

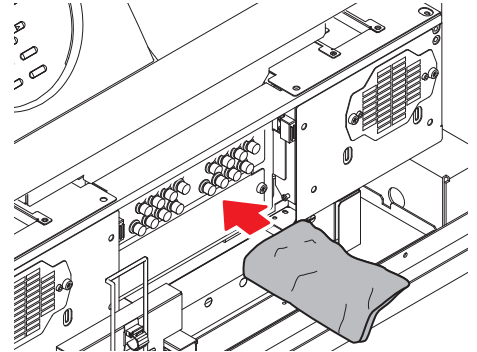
** FILL UP / SUBTANK **
PLEASE WAIT

13 Press **END** the key to end the setting.

14 Wipe ink adhering to the ink port with a waste cloth and remove the waste cloth covering the rail.

Important!

- Wipe ink adhering to the ink port. Otherwise, it may cause the operation defect.



15 Press the **ENTER** key.

16 Close the maintenance cover before the carriage and the right lower maintenance cover of this machine. Then, press the **ENTER** key.

- Cleaning starts automatically. Wait for a while until cleaning has been completed.

17 Press **END** the key several times to end the setting.

Alternative nozzles for printing, when nozzles missing can not be improved

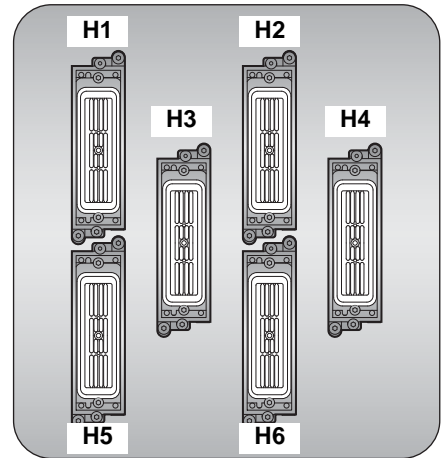
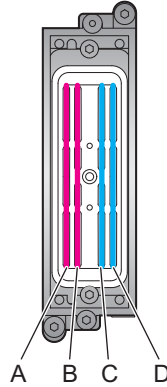
NOZZLE RECOVERY: When nozzles missing can not be improved at specific points, other good nozzles can be used as alternatives for printing.

The head of this machine consists as the right figure. You can set the recovery by specifying the nozzle line each for the H1-2 (Head 1-2), the H3-4 (Head 3-4) and the H5-6 (Head 5-6).



About nozzle line

- This machine is equipped with four nozzle lines (Line A, Line B, Line C and Line D) for one head.



1 Select [NOZZLE RECOVERY] of the maintenance menu.

- Press the **FUNCTION** key in LOCAL.
- Press **▲** **▼** to select [MAINTENANCE] and press the **ENTER** key.
- Press **▲** **▼** to select [NOZZLE RECOVERY].
- Press the **ENTER** key.

2 Press **▲ **▼** to select [PRINT] and press the **ENTER** key.**

NOZZLE RECOVERY
: PRINT



SELECT HEAD
: H1 - 2

3 Press **▲ **▼** to select the head (H1-2/ H3-4/ H5-6) for which you perform nozzle recovery.**

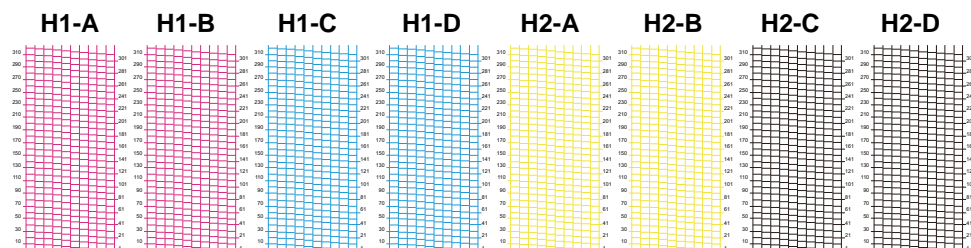
SELECT HEAD
: H3 - 4

4 Press the **ENTER key twice.**

- The nozzle pattern of selected unit is printed.
- When you select "ENTRY" in the Step 2, the machine moves to the nozzle line selection procedures (Step 5) without printing a nozzle pattern.

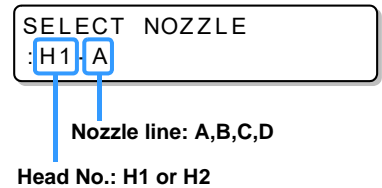
** PRINTING **
PLEASE WAIT

Nozzle pattern when selecting H1-2



5

Press **▲** **▼** to select the Nozzle line that needs **NOZZLE RECOVERY** and press the **ENTER** key.

**6**

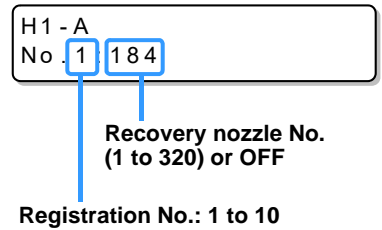
Register the Nozzle number that needs **NOZZLE RECOVERY** and press the **ENTER** key.

(1)

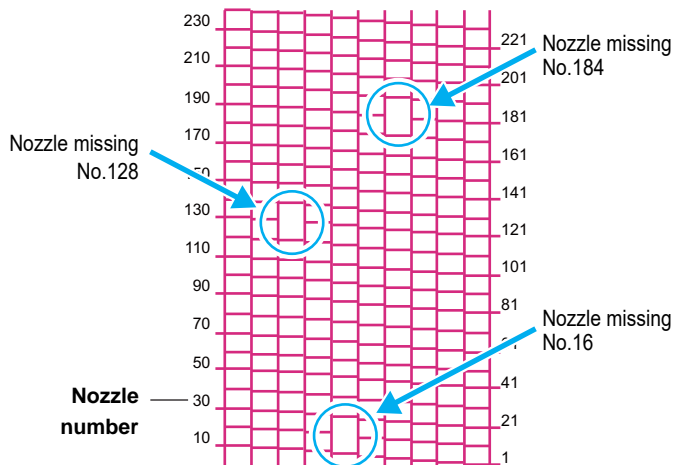
Select the registration number from 1 to 10 by pressing **▲** **▼** and press the **ENTER** key.

(2) Register the nozzle number that needs recovery by pressing **▲** **▼** and press the **ENTER** key.

- If the registered nozzle cannot be recovered, the screen of the Step 3 in P.4-25 “Check the print condition for which nozzle recovery cannot be performed” is displayed.



Example of nozzle to be recovered



Registration number	Recovery Nozzle No.	State
1	16	Target for nozzle recovery
2	128	Target for nozzle recovery
3	184	Target for nozzle recovery
4	OFF	No registration
5	OFF	No registration

7

Press the **END** key several times to end the setting.

Important!

- Up to 10 nozzles can be registered per 1 nozzle line.
- Even if you use this function, time required for drawing does not change.
- For the lowest number of paths of the drawing mode, the **NOZZLE RECOVERY** function is invalid.
- Even if you register the **NOZZLE RECOVERY**, the pattern of test print etc. is not recovered.

Check the print condition for which nozzle recovery cannot be performed

Depending on the registered nozzle, there is a mode on which recovery is not reflected. Check the print condition for which recovery cannot be performed.



- When there are many registered nozzles, it takes much time to display the checked result.

1

Select [NOZZLE RECOVERY] of the maintenance menu.

- (1) Press the **FUNCTION** key in LOCAL.
- (2) Press **▲** **▼** to select [MAINTENANCE] and press the **ENTER** key.
- (3) Press **▲** **▼** to select [NOZZLE RECOVERY].
- (4) Press the **ENTER** key.

2

Press **▲** **▼** to select [CHECK].

```
NOZZLE RECOVERY
: CHECK
```

3

Press the **ENTER** key.

- The mode for which nozzle recovery is invalid is displayed.
- If there is no mode for which nozzle recovery is invalid, "NONE" is displayed.

```
UNRECOVERABLE COND .
: 600x 900 6p H
```

Scanning speed
Number of passes

Resolution

4

Press **END** the key several times to end the setting.

Clear the set value

1

Select [NOZZLE RECOVERY] of the maintenance menu.

- (1) Press the **FUNCTION** key in LOCAL.
- (2) Press **▲** **▼** to select [MAINTENANCE] and press the **ENTER** key.
- (3) Press **▲** **▼** to select [NOZZLE RECOVERY].
- (4) Press the **ENTER** key.

2

Press **▲** **▼** to select [RESET] and press the **ENTER** key.

NOZZLE RECOVERY
: RESET



SELECT HEAD
: H1 - 2

3

Press **▲** **▼** to select the head (H1-2/ H3-4/ H5-6) for which you reset nozzle recovery.

SELECT HEAD
: H3 - 4

4

Press the **ENTER** key.

SELECT RESET NOZZLE
: H1 - A

5

Press **▲** **▼** to select the Nozzle line that needs reset the setting value and press the **ENTER** key.

SELECT RESET NOZZLE
: H1 - A



H1 - A RESET?
EXECUTE [ENT]

6

Press the **ENTER** key.

7

Press the **END** key several times to end the setting.

Automatic Maintenance Function

To use this machine comfortably, you can set various maintenances to be performed automatically. Here, set performing intervals of various automatic maintenances. You can prevent troubles such as ink clogging by performing automatic maintenance periodically (automatic maintenance function).

For the auto maintenance functions, the following items can be set:



- When you perform maintenance manually, after manual maintenance is completed and when time set with the automatic maintenance function has passed, maintenance starts automatically.

Function name	Descriptions
REFRESH	The interval between each refreshing operation is set.
CLEANING	The interval between each cleaning operation is set.



- During the right message is displayed, the operation set in the auto maintenance function is not carried out. Perform the operations of P.4-30 if required.
- When the power button on the front of the machine is turned off, check the waste ink tank.

<LOCAL>
Waste ink full

Setting the Refreshing Intervals

The interval between each operation of ejecting a small amount of ink from the nozzles to prevent nozzle clogging is set.

1

Select [AUTO MAINT.] of the maintenance menu.

- (1) Press the **FUNCTION** key in LOCAL.
- (2) Press **▲** **▼** to select [MAINTENANCE] and press the **ENTER** key.
- (3) Press **▲** **▼** to select [AUTO MAINT.].

2

Press the **ENTER** key.

AUTO MAINT.
REFRESH [ENT]

3

Press the **ENTER** key.

REFRESH
: Lv. 1

4

Press **▲** **▼** to set the refreshing interval.

- Set value : OFF, Lv.1, Lv.2, Lv.3
- As the LEVEL increases, the interval between each operation gets shorter.

REFRESH .
: Lv. 1

5

Press the **ENTER** key.

AUTO MAINT.
REFRESH [ENT]

6

Press **END** the key several times to end the setting.

4

Routine Maintenance

Setting the Cleaning Intervals

The cleaning type and the interval between each cleaning operation are set.

- 1** Select [AUTO MAINT.] of the maintenance menu.

(1) Press the **FUNCTION** key in LOCAL.
 (2) Press **▲▼** to select [MAINTENANCE] and press the **ENTER** key.
 (3) Press **▲▼** to select [AUTO MAINT.].
 (4) Press the **ENTER** key.

- 2** Press **▲▼** to select [CLEANING].

AUTO MAINT .
 CLEANING [ENT]

- 3** Press the **ENTER** key.

CLEANING
 : Lv . 1

- 4** Press **▲▼** to set the interval between each cleaning operation.

CLEANING
 : Lv . 1

 - Set value : OFF, Lv.1, Lv.2, Lv.3
 - As the LEVEL increases, the interval between each operation gets shorter.

- 5** Press the **ENTER** key.

 - When you set other than “OFF” in the Step 4, the cleaning type selection screen is displayed.

TYPE
 : NORMAL

- 6** Press **▲▼** to select a cleaning type.

 - Set value : NORMAL, SOFT, HARD

TYPE
 : SOFT

- 7** Press the **ENTER** key.

AUTO MAINT .
 CLEANING [ENT]

- 8** Press the **END** key several times to end the setting.

About white ink circulation function

This machine performs ink circulation automatically to prevent white ink pigment from settling out.

● Display indication during white circulation operation

CIRCULATION
 PLEASE WAIT

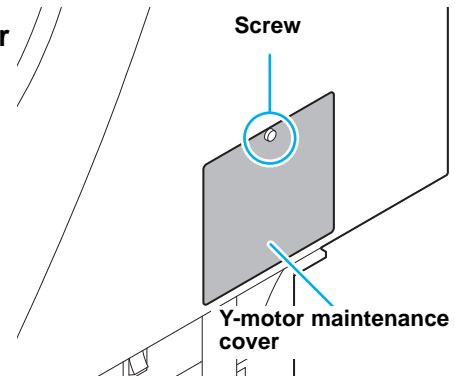
Important!

- White ink circulation function is performed automatically only when you use 4 colors + white ink set.
- Even if you perform white circulation, ink is not consumed.
- When this machine does not perform the printing operation etc., white circulation is performed once one hour.
- If you stop white circulation on the way, press the **END** key.
- When white circulation operation has been completed, the display returns to the status before starting white circulation.
- When the machine receives printing data during white circulation, it stops white circulation and the display returns to the status before starting white circulation.

When the warning message [Y motor cleaning] is displayed, clean the Y motor with the procedures below:

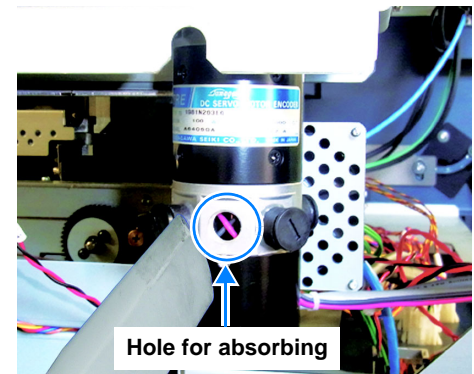
1 Turn off the power supply, and open the Y-motor maintenance cover.

- Remove the screw of the Y-motor maintenance cover, and open the cover.



2 Open the cover for absorbing abrasion powder, and absorb abrasion powder accumulating in the hole for absorbing abrasion powder with a vacuum.

- Using a flat-blade screwdriver, open the cover.



3 Return the cover for absorbing abrasion powder to the original status, and turn on the power supply.

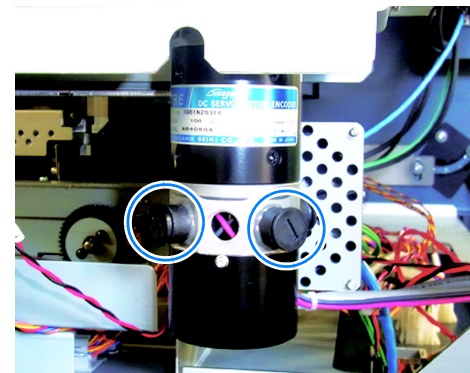
- Warning message [Y motor cleaning] is displayed on the screen.

4 Press the **MAINT.** key and clear the warning message.

- The machine returns to LOCAL.



- Do not remove the cover indicated with circles in the right figure. It may cause the operation defect of the motor.



Discarding waste ink

If a Waste Ink Tank Confirmation Message Appears

Ink used in head cleaning, etc. is stored in the waste ink tank on the lower right side of the machine. The sensor monitors the discharged amount of ink in this machine. When that reaches a specified amount, the machine displays a confirmation message. (When this message is displayed, consider the replacement of the waste ink tank.)

Important!

- Check the waste ink level in the waste ink tank frequently. Continuing to use the product without disposing of the waste ink may result in waste ink overflowing from the waste ink tank.

Confirmation Message in LOCAL

1 The message on the right is displayed.

<LOCAL>
Waste ink near full

or

<LOCAL>
Waste ink full

or

<LOCAL>
Waste ink tank none

2 Check the state of the waste ink tank

- If [Waste ink tank none] is displayed, check if the tank is inserted all the way to the back.

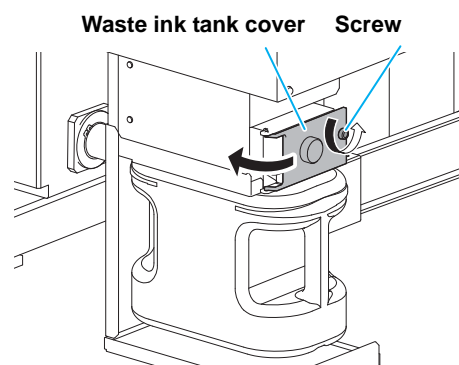
Discard waste ink



- When you replace the waste ink tank, be sure to wear attached safety glasses and gloves to perform the work. Otherwise, you may get ink in your eyes.
- If you get the ink on your skin or in your eyes, wash it away with plenty of water immediately.

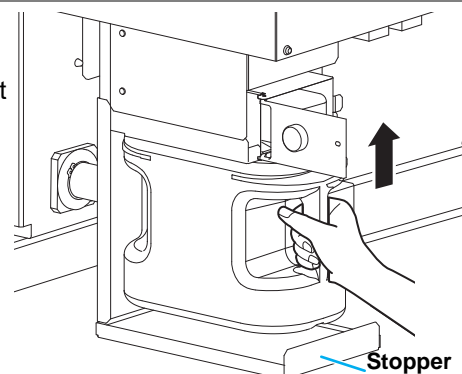
1 Open the waste ink tank cover.

- Remove the screw attaching to the waste ink tank cover and open the cover to the front.



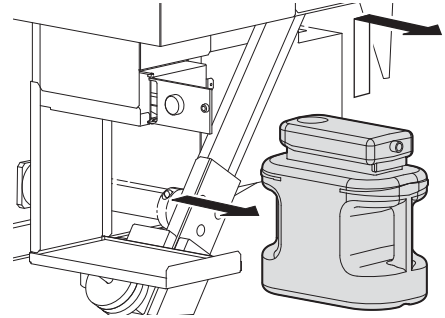
2 Lift the waste ink tank a little.

- Lift the waste ink tank up to the position where it does not hit the stopper.



3**Take out the waste ink tank.**

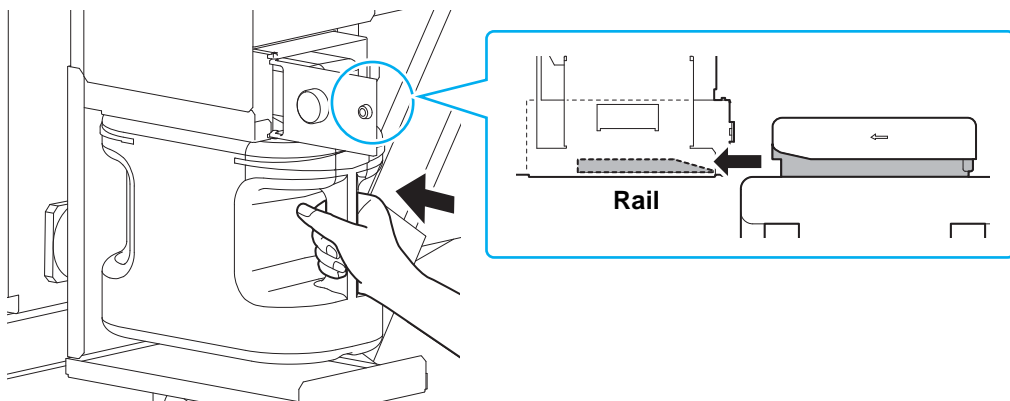
- (1) Hold the handle of the waste ink tank and pull it out to the front.
- (2) Raise the waste ink tank and take it out.

**4****Replace the waste ink tank.**

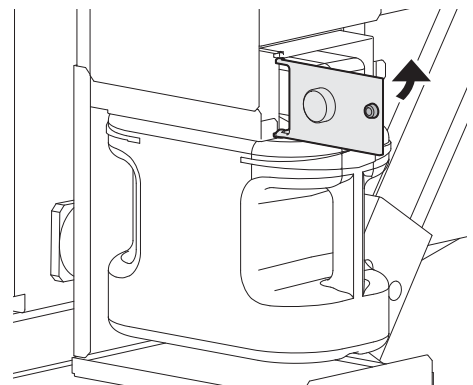
- (1) Prepare a new waste ink tank.
- (2) Hold the handle of the waste ink tank and insert it along the rail.
- (3) Raise the waste ink tank.



- Request the treatment of waste ink you moved to a polyethylene tank for an industrial waste disposal contractor.
- A part of the ingredients (photo polymerization initiator) has toxicity against aquatic organisms. Please prevent leakage flow to natural water systems (river, etc.) and domestic sewages (toilet, road, etc.)

**5****Close the waste ink tank cover.**

- When the machine recognizes the new waste ink tank, the warning message is released.

**4**

Routine Maintenance

Replacing consumables

Replacing the wiper

The wiper is consumable. When the display indicates that it is necessary to replace the wiper, immediately replace the wiper with a new one. Also, wipe ink sticking to the lower surface of the slider off.

<LOCAL>
Replace a WIPER[MNT]

Important!

- A cleaning wiper (SPA-0193) is an option. Buy one through the dealer in your region or at our service office.

1

When the message is displayed, press the **MAINT.** key.

REPLACE WIPER
EXECUTE [ENT]

2

Press the **ENTER** key.

- The carriage moves onto the platen.

REPLACE WIPER
COMPLETED [ENT]

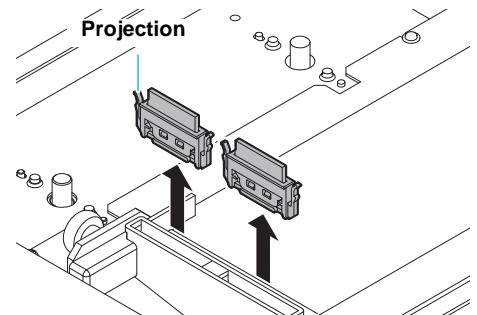
Important!

- Until the replacement work is completed, [COMPLETED: ent] is displayed on the screen. After the work up to the Step 3 is completed and you close the lower right maintenance cover, press the **ENTER** key.

3

Open the right maintenance cover then remove the wiper.

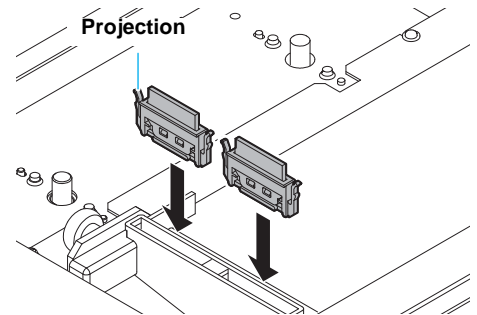
- Pull out the wiper by holding the protrusions at its both ends.



4

Insert a new wiper.

- Insert a new wiper by holding its both ends.
- There is no direction to the wipers. They can be inserted with either side facing forward.



5

Close the lower right maintenance cover and press the **ENTER** key.

- After its initial operation, the machine returns to LOCAL.

Being Initialized
PLEASE WAIT

Replacing the Cutter Blade

The cutter blade is consumable. When the cutter blade gets dull, replace it with a new one (SPA-0192).



- The blade is sharp. Be careful not to hurt yourself or anyone else.
- Store the cutter blade in a place that is out of the reach of children. In addition, dispose of used cutter blades according to regional laws and regulations.



- When replacing the cutter blade, it is recommended to place a sheet of paper under the cutter blade. This will help pick up the cutter blade if it drops.

1

Press the **MAINT.** key in LOCAL.

CARRIAGE OUT
[ENT]

2

Press the **ENTER** key.

MOVE POSITION
: STATION MAINT .

3

Press **▲** **▼** to select [STATION MAINT.].

MOVE POSITION
: STATION MAINT .

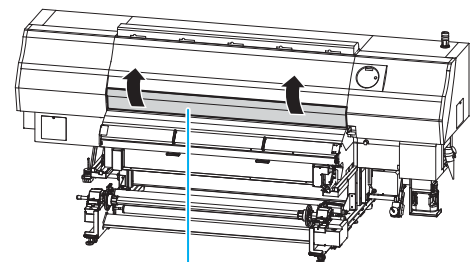
4

Press the **ENTER** key.

- The carriage moves onto the platen.

5

Open the front cover.



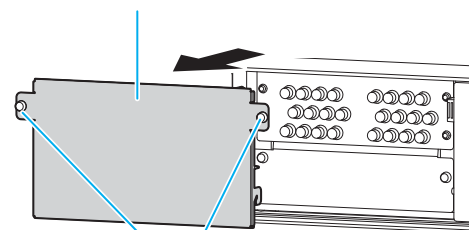
Front cover

6

Remove the maintenance cover at the front of the carriage.

- Remove the screws of both edges of the maintenance cover, and remove the maintenance cover.

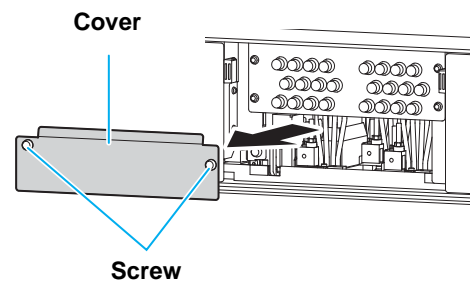
Maintenance cover



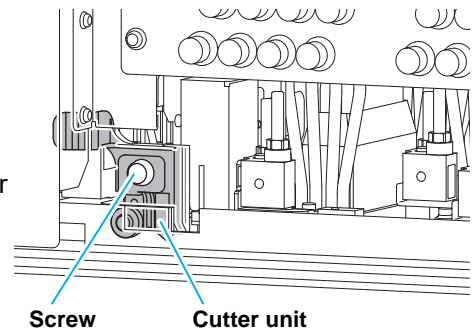
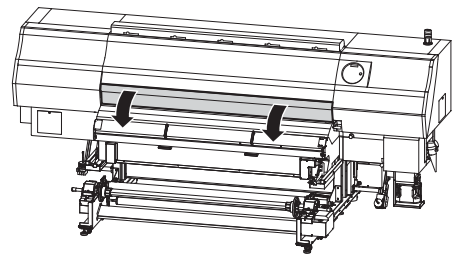
Screw

7**Remove the cover for replacing cutter.**

- Remove the screws of both edges of the cover, and remove the cover.

**8****Replace the cutter unit by the carriage.**

- (1) Loosen the screw of the cutter unit.
- (2) Remove the cutter unit.
- (3) Mount a new cutter unit.
- (4) Fasten the screw of the cutter unit to secure the cutter unit.

**9****Close the front cover.****10****Press the **ENTER** key.**

- The screen returns to step1.
-

About time to replace lamp

When time to replace the lamp has come, the machine informs you of it when you turn on the power supply, by displaying the message on the right screen.

ERROR 45F
EXCHG.PostCureUV 123



<LOCAL>
PostCureUV 123 [MNT]

- The display shows the message to notify you to replace a post cure lamp.
- The number notifies you which lamp needs replacement.
(1: Lamp upper level, 2: Lamp middle level, 3: Lamp lower level)
- Turn off the main power before replacing the lamp.

When this message is displayed, replace the lamp by operating procedures below:(SPC-0690: 3 pcs. included / SPA-0222: 1 pc. included)



- The lamp is hot immediately after it is turned off. Wait until the lamp cools down and replace it.
- Handle the lamp with care when replacing it. If not, the lamp may hit the main unit and cause a break or an injury.
- Injuries can be caused by the edges of the protective cover or from breaking a lamp. Be sure to wear protective gloves when replacing lamps.



- Even after the message is displayed, the lamp of the Post Cure Unit lights for a while. However, as the amount of light becomes less, UV ink curing is poorer compared with that before displaying the message.

When time to replace the lamp has come, the machine informs you by displaying the message on the right screen.

<LOCAL>
PostCureUV 123 [MNT]

1 Press the **MAINT.** key.

POST CURE UV LAMP
Exchange ? [ENT]

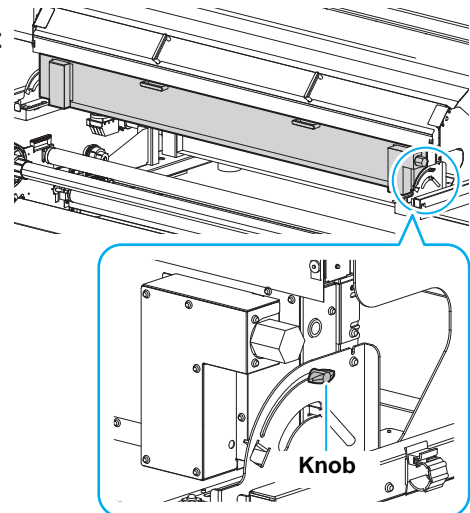
2 Press the **ENTER** key.

- A message urging you to turn off the main power is displayed. Be sure to check the message on the right before proceeding to Step 3.

MAIN POWER OFF

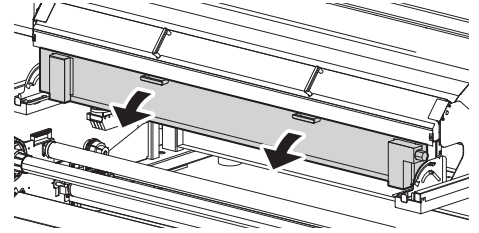
3 Turn the main power OFF.

4 Rotate the knob at the left and the right of the post cure unit to the direction to be loosened (about three times).

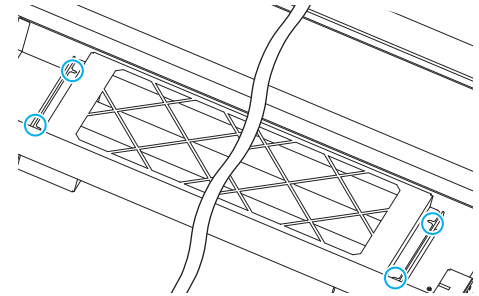


5**Hold the handle at the front of the post cure unit and open the post cure unit.**

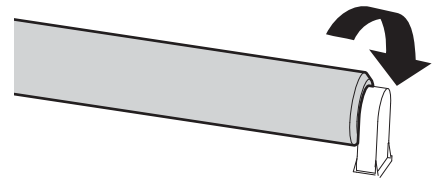
- When you open/ close the post cure unit, be sure to hold the handle to prevent your hand from burn injury and pinching.
- Open/ close the post cure unit slowly not to break the mercury lamp.
- During opening/ closing the post cure unit, do not get your hand off of the handle.

**6****Remove the protection cover.**

- Remove the screws (for four positions) attached with the protection cover and then remove the protection cover.

**7****Rotate the mercury lamp to replace 90 degrees and remove it.**

- If you grasp the mercury lamp strongly, it may be damaged. Be careful about handling the mercury lamp.

**8****Set new mercury lamp and fix it by rotating it 90 degrees.**

- There is a specific direction to mercury lamps. Install mercury lamps with the printed side facing the media.

**9****Attach the protection cover.****10****Return the post cure unit to the original position and tighten the knob at the right and the left.****11****Turn the power ON.**

- When you turn on the power supply, the machine displaying the message on the right screen.

POST CURE UV LAMP
Please Clear [ENT]

12**Refer to P.3-51 “Confirming Machine Information” and clear the usage history for the replaced post cure lamp.**

Replacing ink absorption material

To prevent nozzle clogging, the printer regularly performs a flushing operation and discharges a small volume of ink onto the ink absorption material next to the wipers.

Replace the ink absorption material when it becomes deformed as shown in the figure below.

Important!

- If you use it when it is deformed, ink may get stuck to the UV lamp.

Ink absorption material that does not require replacement



Ink absorption material that requires replacement (deformed)



1

Press the **MAINT.** key in LOCAL.

CARRIAGE OUT
[ENT]

2

Press the **ENTER** key.

MOVE POSITION
: STATION MAINT.

3

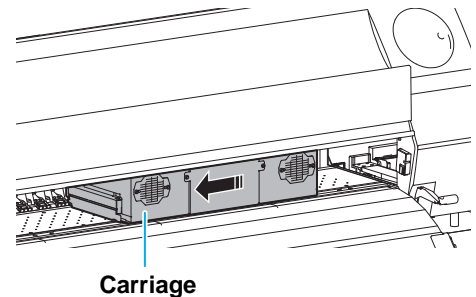
Press **▲** **▼** to select [STATION MAINT.].

MOVE POSITION
: STATION MAINT.

4

Press the **ENTER** key.

- The carriage moves onto the platen.

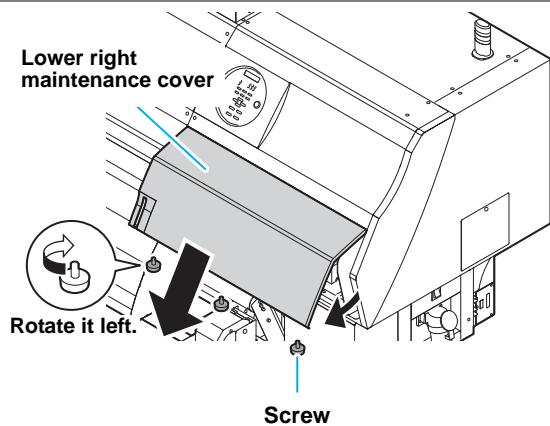


5

Open the lower right maintenance cover.

- (1) Rotate the screws under the lower right maintenance cover (for three positions) to the left and remove them.
- (2) Hold the bottom of the lower right maintenance cover and pull it to the front.
- (3) While pulling the lower right maintenance cover downward, remove it.

- If the lower right maintenance cover is hard to remove, use the supplied screwdriver.



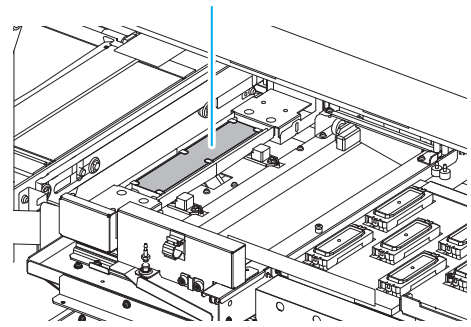
4

Routine Maintenance

6

Replace the Ink absorption material.

Ink absorption material



7

Press the **ENTER** key after the cleaning.

Close a cover
COMPLETED [ENT]

8

Close the lower right maintenance cover then press the **ENTER** key.

- After its initial operation, the machine returns to step1.
-

Replacing the carriage filter

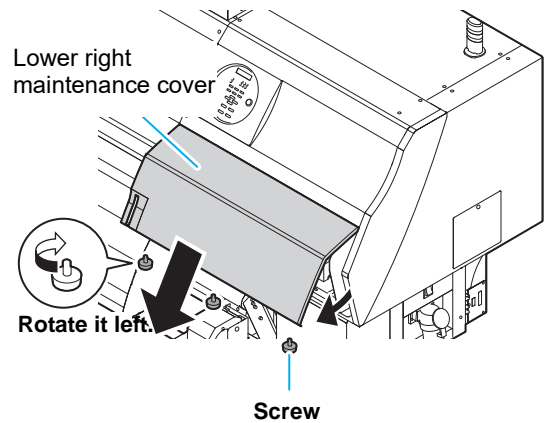
Replace it once a month.

1 Turn the main power switch OFF.

2 Open the lower right maintenance cover.

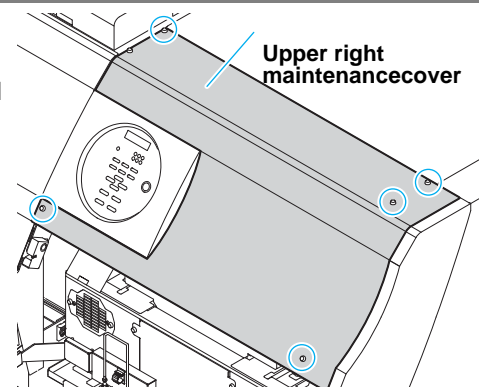
- (1) Rotate the screws under the lower right maintenance cover (for three positions) to the left and remove them.
- (2) Hold the bottom of the lower right maintenance cover and pull it to the front.
- (3) While pulling the lower right maintenance cover downward, remove it.

- If the lower right maintenance cover is hard to remove, use the supplied screwdriver.



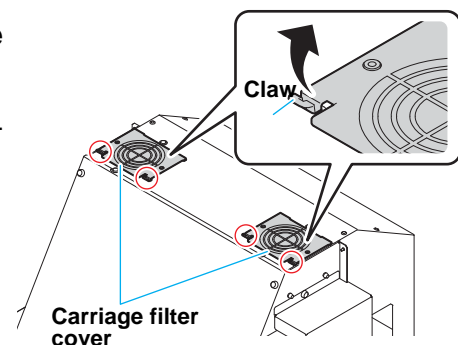
3 Open the upper right maintenance cover.

- Remove the screw indicated with circles in the figure and remove the cover.

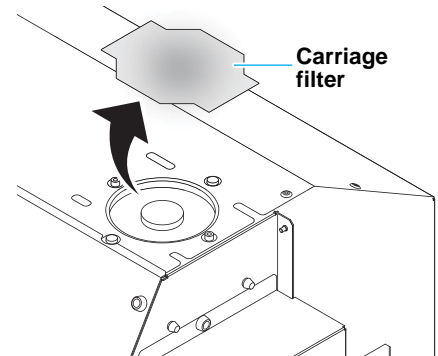


4 Remove the carriage filter cover at the upper of the carriage.

- Pinch the click of the carriage filter cover and raise the cover.



5 Remove the used carriage filter cover.

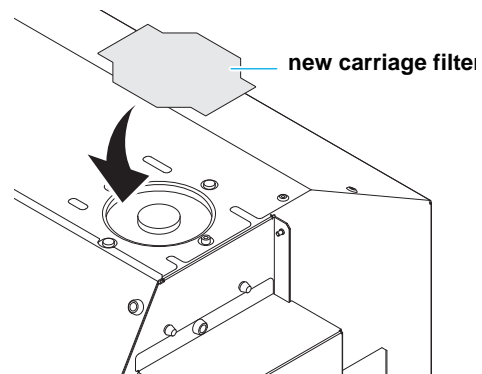


6**Mount a new carriage filter (SPA-0189).**

- Insert the holes of right and left of the carriage filter into the convex part of the carriage.

Important!

- The carriage filters are at two positions of upper part of the carriage. When replacing, replace both filters at the same time.

**7****Return the carriage filter cover to the original status.****8****Close the upper right maintenance cover and lower right maintenance cover.**

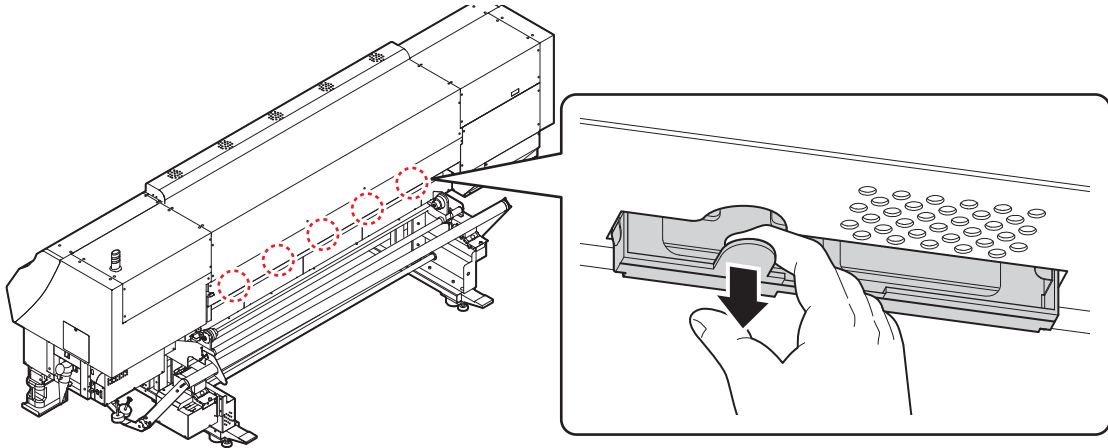
Replacing the mist filter

Replace it once a month.

1

Pull out the mist filter ASSY located at the rear surface of the main body.

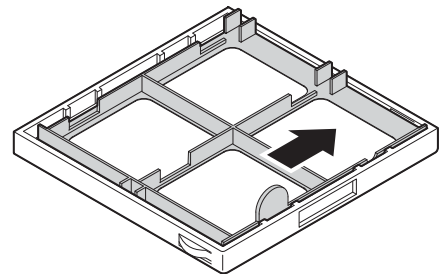
- There are 5 mist filter ASSY at the rear surface of the main body (parts indicated with circles in the figure).
- Put your finger on the hole of the bottom surface, and pull out the mist filter ASSY downward.



2

Removed the used filter.

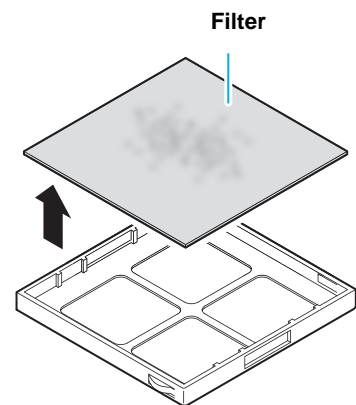
(1) Slide the filter holder a little, and remove it.



(2) Removed the used filter.

Important!

- Ink at printing adheres to the mist filter ASSY. When replacing the filter, it is recommended to perform the work with a sheet of paper placed.

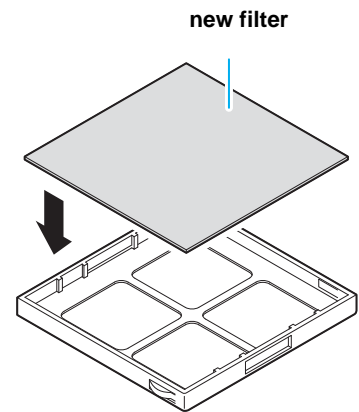


3

Attach new mist filter (SPA-0190) and the filter holder.

4

Attach the mist filter ASSY to the original position.



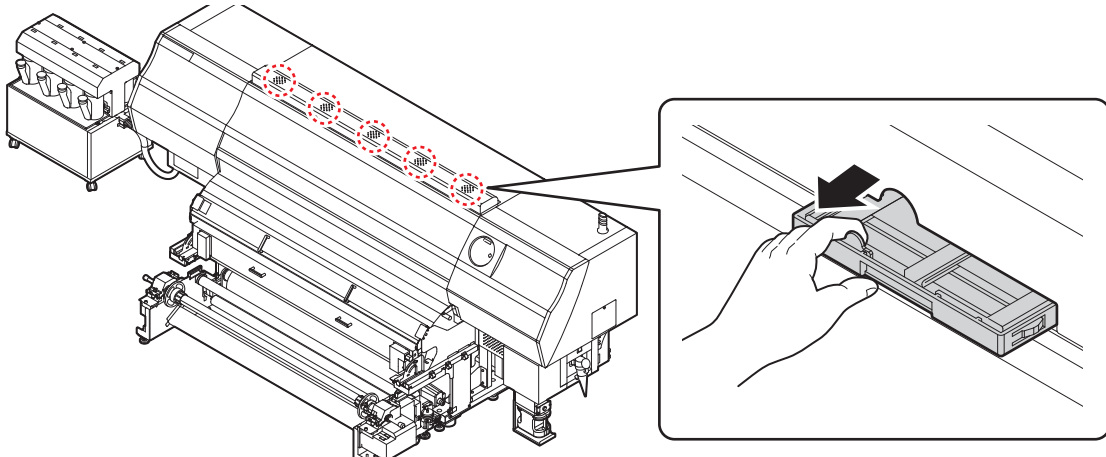
Replacing the air cleaning filter

Replace it once a month.

1

Pull out the air cleaning filter ASSY located at the upper part of the main body.

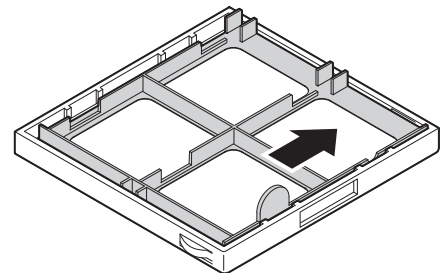
- There are 5 air cleaning filter ASSY at the rear surface of the main body (parts indicated with circles in the figure).
- Hook your finger on the hole in front and pull the air cleaning filter ASSY down to remove.



2

Removed the used filter.

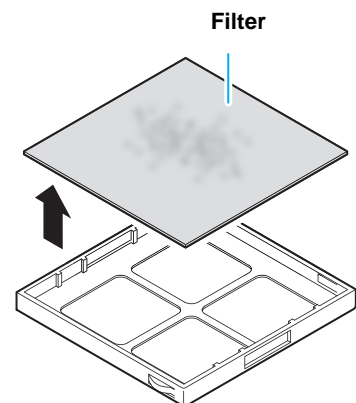
- (1) Slide the filter holder a little, and remove it.



- (2) Removed the used filter.

Important!

- Ink at printing adheres to the air cleaning filter ASSY. When replacing the filter, it is recommended to perform the work with a sheet of paper placed.

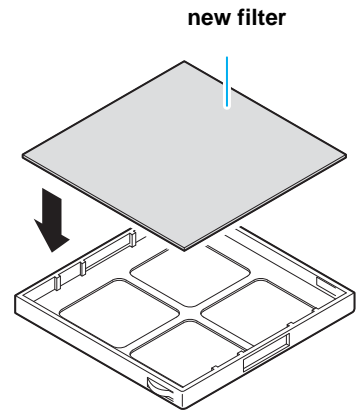


3

Attach new mist filter (SPA-0190) and the filter holder.



- For the filter used when replacing the air cleaning filter, the same filter (SPA-0190) with P.4-41 “Replacing the mist filter” is used.

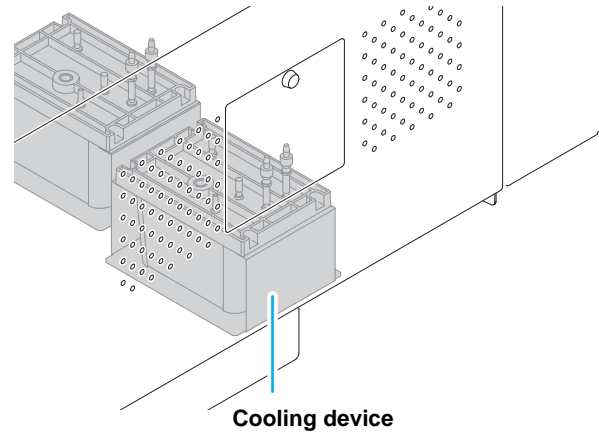


4

Attach the air cleaning filter ASSY to the original position.

Refilling antifreeze mixed water

To cool the LED UV unit, put antifreeze mixed water into the cooling water tank in the cooling device.



Note on refill



- Water and antifreeze liquid compound ratio should be 2(water) to 1(Antifreeze liquid).
- When you make mixed water, use the tap water of a possible beverage. (If it is hard-to-find, use a mineral water on the market.)
- Use it within one week when you make mixed water. The mixed water that one week or more passed after it makes it is never used for this machine regardless of use/unused. Moreover, do not add to the mixed water newly made.
- When only water is supplied to the cooling water tank without antifreeze liquid, it may damage the UV unit by freeze.
- When only antifreeze liquid is supplied to the cooling water tank without water, the machine does not work properly, and may cause an error.
- If water in the cooling water tank frequently becomes insufficient, contact a distributor in your district or our office.
- Dispose of the waste water mixed with antifreeze liquid pursuant to the regulations of your district.



Precautions in handling the antifreeze liquid



- Be sure to wear goggle and gloves for handling the antifreeze liquid.
- Use the recommended antifreeze liquid by Mimaki. If not, the cooling device may be broken. (Supplied antifreeze liquid :1000cc x 2 bottles)
- Do not touch the antifreeze liquid directly. If the antifreeze liquid settles on your skin or clothes, immediately wash it off with soap and water. If you get antifreeze liquid in your eyes, immediately wash your eyes with a lot of clean water. Then, consult a doctor as soon as possible.
- Store antifreeze liquid in a dark and cold place.
- Store antifreeze liquid in a place that is out of the reach of children.
- When discarding antifreeze liquid which is no longer needed, entrust them to an industrial waste disposal contractor, clarifying their contents.
- Before using antifreeze liquid, be sure to read the Safety Data Sheet (SDS).



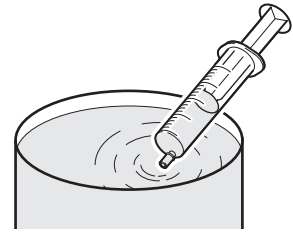
- When purchasing a spare cooling water tank, contact a distributor in your district or our office.
- Prepare a tank with a cap to put in the waste water from cooling water tank.
- When water in the cooling water tank is low, an error message is displayed. In this case, replace water in the same way shown as the next page.

< LOCAL >
WATER LACK 12

Refill antifreeze mixed water

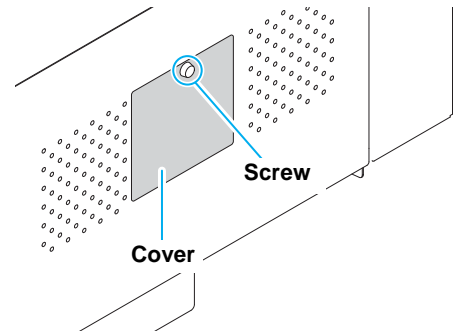
If an error of lack of water, refill antifreeze mixed water. To fill up its capacity, about 200cc refill is required.

- 1** Made mixed water (antifreeze liquid: 1, water: 2) in the attached reservoir and move it to the attached syringe.

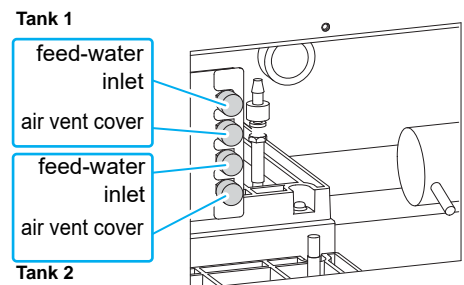


- 2** Remove the cover of the left rear surface of the machine.

- Remove the screw indicated with circles in the figure and remove the cover.

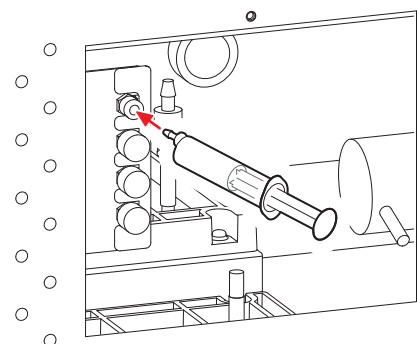
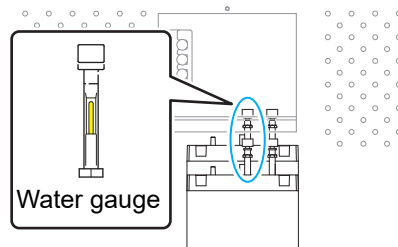


- 3** Uncover the feed-water inlet and the air vent.



- 4** Refill antifreeze mixed water.

- Fill the antifreeze mixed water from the feed-water inlet.
- Fill it up seeing the water gauge on the back of this machine. Displaying red on the water gauge indicates full.



Important!

- Be aware that if you put in too much antifreeze mixed water, it may leak from the cooling water tank.

- 5** Close the feed-water inlet and the air purge cover, and attach the cover of the left rear surface of the machine.

Chapter 5

Troubleshooting



This chapter

describes the corrective measures to be taken for a phenomenon suspected to be trouble and the procedures to clear the error number displayed on the LCD.

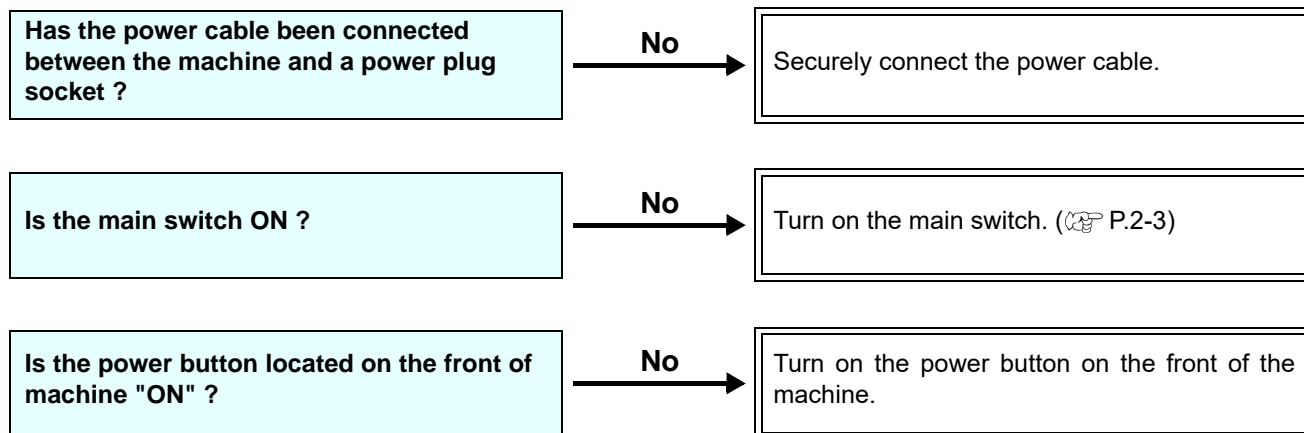
Troubleshooting	5-2
Power does not turn on	5-2
The machine does not start printing	5-2
Media get jammed / media is soiled	5-3
[HEAT] or [CONSTANT] LED does not light up	5-3
Image quality is poor	5-4
Nozzle is clogged	5-4
Ink bottle warning appears	5-5
If an error related to the sub tank occurs (Error 618 to 61b)	5-6
If negative pressure abnormality occurs	5-7
When media heaves up at feeding	5-9
Warning / Error Messages	5-10
Warning messages	5-10
Error messages	5-15

Troubleshooting

Take appropriate actions as described below before taking the trouble as a failure.
If still the problem is not solved after troubleshooting, contact your dealer or an office of MIMAKI.

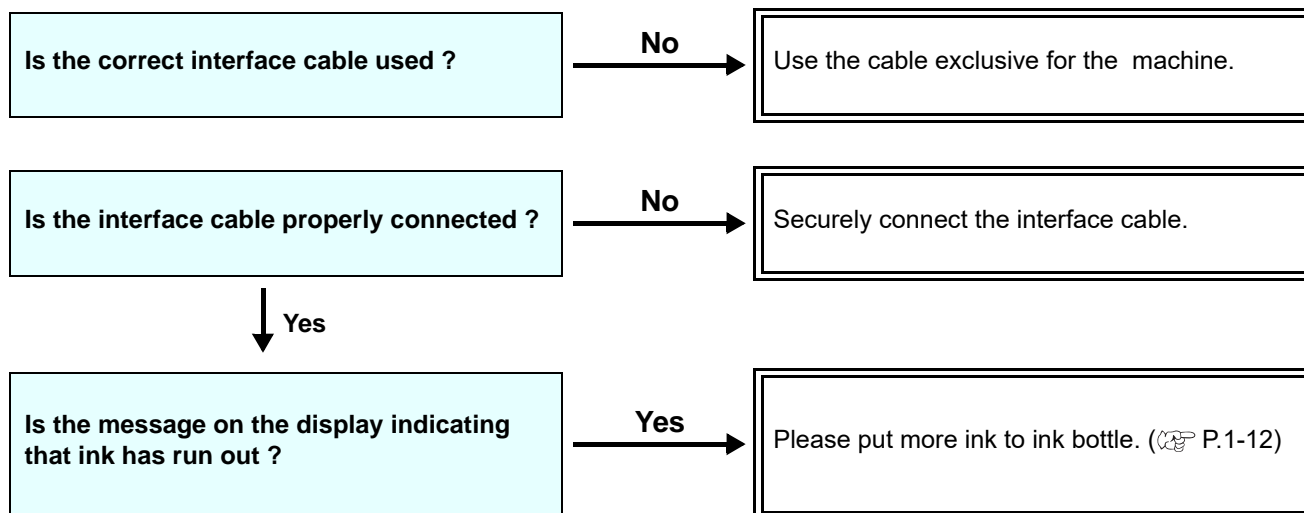
Power does not turn on

In most cases, this is due to improper connection of the power cable for the machine or computer. Check that the power cable is connected properly.



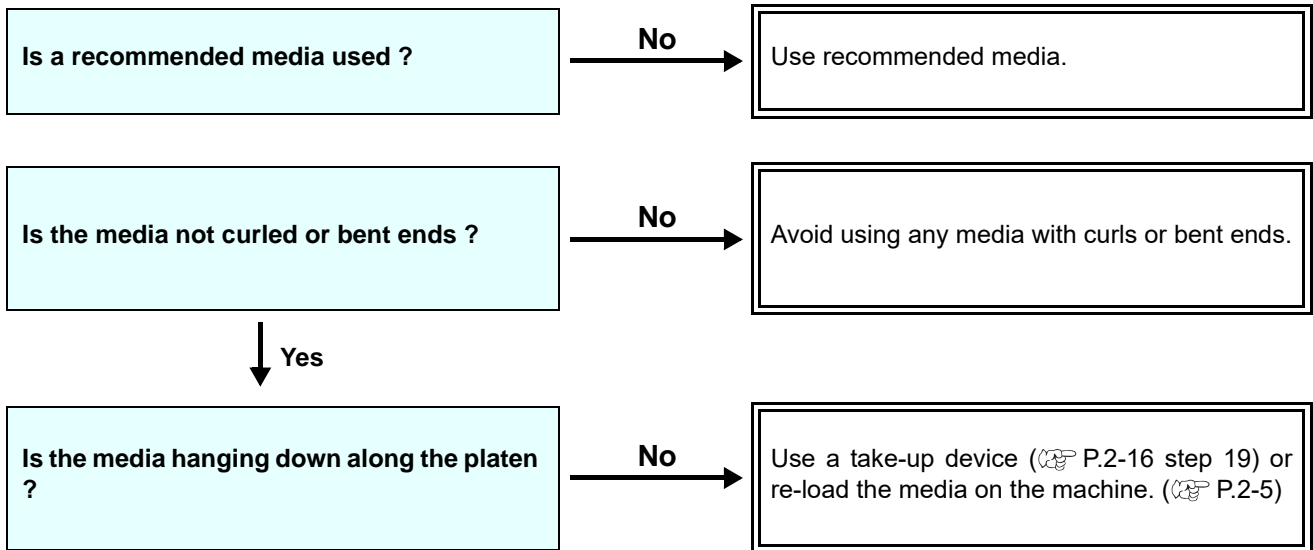
The machine does not start printing

This occurs when the data is not being transmitted to the machine properly.
It can also occur when the printing function does not work properly or the media is not set correctly.

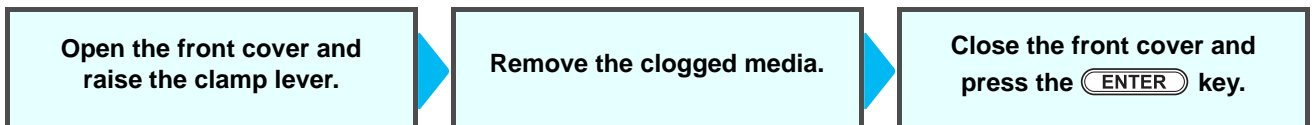


Media get jammed / media is soiled

Media jamming or stained media is considered to be due to the use of an unsuitable media or improper setting of media.



If the media gets clogged, perform the work below:



[HEAT] or [CONSTANT] LED does not light up

Check the basic operation.

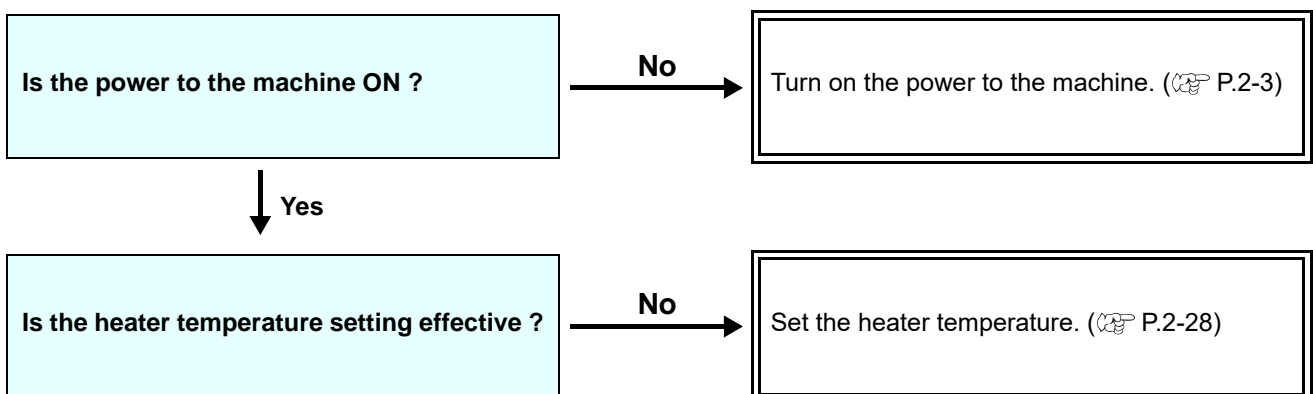


Image quality is poor

This section describes the corrective actions to be taken in case the image quality is not satisfactory. Take remedy for particular problems with image quality. If the remedy does not work, contact your dealer or an office of MIMAKI.

Phenomenon	Measures
White lines / blur / dark stripes (in the direction of travel of the heads)	<ol style="list-style-type: none"> (1) Execute the head cleaning. (☞ P.2-32) (2) Perform maintenance of the inside of the station. (☞ P.4-6) (3) Execute the [MEDIA COMP.] function. (☞ P.2-34) (4) If any pieces of paper or dust is attached on the path of the heads such as media press, remove it.
Characters are double- or triple-printed in the media feed direction	<ol style="list-style-type: none"> (1) Execute the [MEDIA COMP.] function. (☞ P.2-34)
Disagreement in print positions between outward trip and homeward trip	<ol style="list-style-type: none"> (1) Execute the [DROP POSITION] function. (☞ P.2-36)
Ink drops falling on media during printing	<ol style="list-style-type: none"> (1) Execute the wiper cleaning. (☞ P.4-6) (2) Execute the ink cap cleaning. (☞ P.4-6) (3) Clean around the head. (☞ P.4-14) (4) Execute the head cleaning [NORMAL]. (☞ P.2-32) (5) Set a shorter interval of INTERVAL WIPING operation. (☞ P.3-19)

Nozzle is clogged

When nozzle clogging is not dissolved even after the head cleaning referring to P.2-32, make sure the following operations.

- Carry out air ventilation by the operations of P.4-20
- Wash the head nozzle by the operations of P.4-17.
- Recovery the nozzle by the operations of P.4-23.

Ink bottle warning appears

If an ink bottle trouble is detected, the bottle LED “red” is lit, and a warning message appears. None of printing, cleaning and all the other operations that use ink is available.

If an abnormality occurs, perform the following procedures:

- Check the ink amount in the ink bottle and if the ink amount is not enough, add ink.

Important!

- Once ink bottle trouble is displayed, do not leave the ink bottle without replacing it for a long time; otherwise, the machine will lose the nozzle clogging prevention function. If nozzles are clogged, the machine must be repaired by MIMAKI's service engineer.

Displaying the description of ink bottle trouble

The contents of ink bottle error are confirmable by the following operations.

1

Press the **ENTER** key in LOCAL.

LUS - 150	MMCCYYKK
REMA IN	3 4 5 6 7 8 9 9

2

Press the **ENTER** key.

Expiration : 2MONTH
MMCCYYKK

- When multiple bottle defects occur and if you press the **ENTER** key or **◀ ▶**, they are displayed by turns.

If an error related to the sub tank occurs (Error 618 to 61b)

The Error 618 to 61b are related to the sub tank.

Execute following procedures when an error about sub tank occurs, or when the nozzle is not unclogged after cleaning.

1

Select [SUB TANK] of the maintenance menu.

- (1) Press the **FUNCTION** key in LOCAL.
- (2) Press **▲** **▼** to select [MAINTENANCE] and press the **ENTER** key.
- (3) Press **▲** **▼** to select [SUB TANK].

2

Press the **ENTER** key.

```
SELECT SUBTANK
: MMCCYYKK
```

3

Press **▲** **▼** **◀** **▶** and select a sub tank to be maintained.

```
SELECT SUBTANK
: MMCC_YKK
```

- **◀** **▶** : Select a sub tank.
- **▲** **▼** : Select whether you perform maintenance or not.
- If Error 61b occurs, an appropriate head is selected. Press **ENTER** key.

4

Press the **ENTER** key.

```
SUB TANK
EXECUTE          [ENT]
```

5

Press the **ENTER** key.

- The automatic discharging operation and the filling operation are performed.
- Then, cleaning is performed.

```
** FILL UP **
PLEASE WAIT
```

```
** CLEANING **
PLEASE WAIT
```

6

Press **END** the key several times to end the setting.

If negative pressure abnormality occurs

By the environment or aging, the pressure controlled in this machine may exceed the control range. If an error related to pressure abnormality occurs, perform the procedures below:

Important!

- If pressure abnormality occurs, immediately adjust the pressure with the following procedures and return it to the normal value.
- Check the pressure about once per week.

1

Select [PRESSURE ADJUST] of the maintenance menu.

- (1) Press the **FUNCTION** key.
- (2) Press **▲** **▼** to select [MAINTENANCE] and press the **ENTER** key.
- (3) Press **▲** **▼** to select [PRESSURE ADJUST].

2

Press **▲** **▼** to select **POSITIVE** or **NEGATIVE**.

PRESSURE ADJUST
: NEGATIVE

3

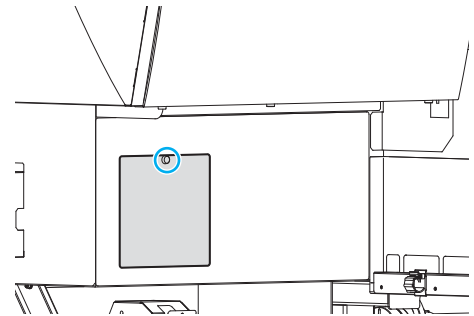
Press the **ENTER** key.

Open Throttle Valve
COMPLETED [ENT]

4

Remove the cover under the left maintenance cover.

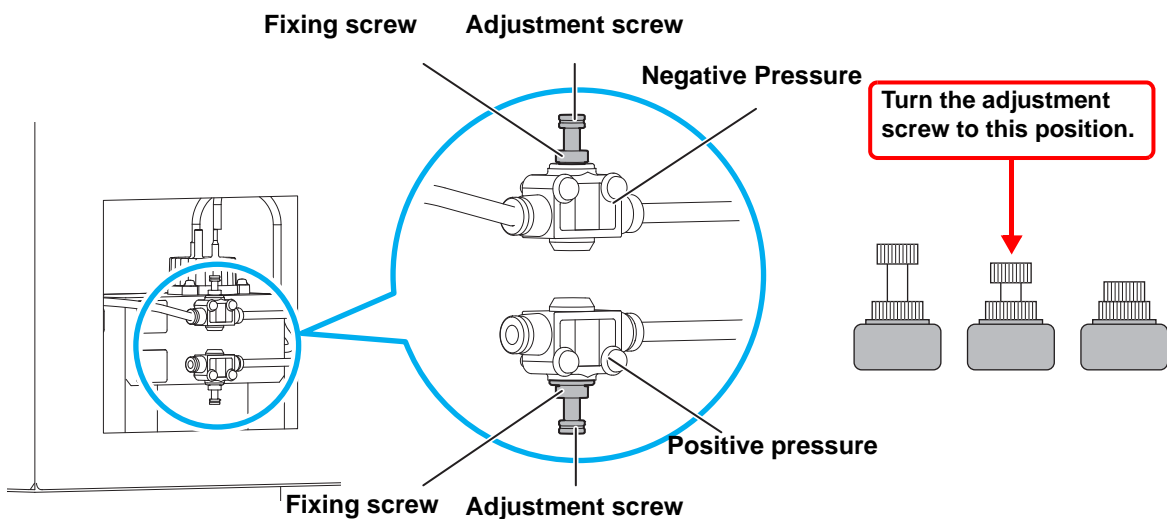
- Remove the screw in the part indicated with circles in the figure.



5

Rotate the adjustment screw of the throttle valve to release it so that air can flow.

- Loosen the fixing screws on the throttle valve, and turn the adjustment screw until it reaches the midpoint.



Adjusting negative pressure / positive pressure

Negative pressure : Turn the adjustment screw clockwise to increase negative pressure.

Positive pressure : Turn the adjustment screw clockwise to increase positive pressure.

- When adjustment is complete, carefully tighten the fixing screws.

6

Press the **ENTER** key.

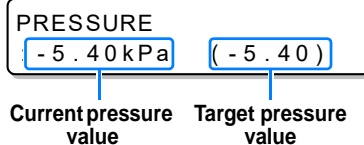
- Sensor adjustment starts.

** ADJUSTING **
PLEASE WAIT

7

Rotate the adjustment screw of the throttle valve to adjust the pressure so that it becomes the proper value.

- Proper value of negative pressure: -5.40kPa
Proper value of positive pressure: 15.00kPa
- As the negative pressure changes between ± 0.1 kPa, adjust so that the intermediate value may become the target pressure.

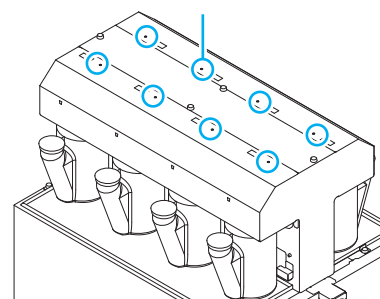


- Pressure is informed with the buzzer and the ink bottle lamp as well as the screen display.
- For the negative pressure, the buzzer stops within the range of ± 0.1 kPa. For the positive pressure, the buzzer stops within the range of ± 1.0 kPa.

- Status of lamp and buzzer for each pressure value

	Pressure		Ink bottle lamp	Buzzer
	Positive pressure	Negative pressure		
High	~ 8.49	~ -4.75	○○○○ ○○○●	Sounds
	8.50 ~ 9.49	-4.76 ~ -4.85	○○○○ ○○●●	
	9.50 ~ 10.49	-4.86 ~ -4.95	○○○○ ○○●●	
	10.50 ~ 11.49	-4.96 ~ -5.05	○○○○ ○○●●	
	11.50 ~ 12.49	-5.06 ~ -5.15	○○○○ ○○●●	
	12.50 ~ 13.49	-5.16 ~ -5.25	○○○○ ○○●●	
	13.50 ~ 14.49	-5.26 ~ -5.35	○○○○ ○○●●	Stops
Proper value	14.50 ~ 15.49	-5.36 ~ -5.45	Y Y K K ● ● ● ● C C M M	Stops
Low	15.50 ~ 16.49	-5.46 ~ -5.55	● ● ● ● ● ● ● ●	Stops
	16.50 ~ 17.49	-5.56 ~ -5.65	● ● ● ● ● ● ● ●	Sounds
	17.50 ~ 18.49	-5.66 ~ -5.75	● ● ● ● ● ● ● ●	
	18.50 ~ 19.49	-5.76 ~ -5.85	● ● ● ● ● ● ● ●	
	19.50 ~ 20.49	-5.86 ~ -5.95	● ● ● ● ● ● ● ●	
	20.50 ~ 21.49	-5.96 ~ -6.05	● ● ● ● ● ● ● ●	
	21.50 ~ 22.49	-6.06 ~ -6.15	● ● ● ● ● ● ● ●	
	22.50 ~ 23.49	-6.16 ~ -6.25	● ● ● ● ● ● ● ●	
	23.50 ~	-6.26 ~	● ● ● ● ● ● ● ●	

Ink bottle lamp



8

Press the **ENTER** key.

- The error is released and the negative pressure control starts.



PLEASE WAIT

Important!

- When an error occurs even after you adjusted the pressure, contact your local distributor, our sales office, or service center.

When media heaves up at feeding

We call the status of heaving media at feeding “cockling”.
When media cockling occurs, check the following items:

Note/ checking items	Measures
Checking media set status	(1) Check that the media is set straight and reset it.
Adjusting heater temperature	(1) Use the POST heater only. (2) Lower all heaters' temperatures.
Media feeding	(1) For roll media, feed the media by about tens of centimeters to one meter. (2) For leaf media, press   and perform feed/ back feed.
Do not leave the media in the heater warming status	(1) Do not start printing with the media cockled because it may cause media jam.
Heighten the head	(1) For the thick media, make the head gap higher before printing.

Warning / Error Messages

If some trouble occurs, the buzzer sounds and the display shows a corresponding error message. Take an appropriate remedy for the displayed error.

Warning messages

Errors when performing operations

Message	Cause	Solution
CAN'T OPERATE COVER OPEN	The front cover or the maintenance cover is opened.	<ul style="list-style-type: none"> • Check the front cover and maintenance covers. • If the same error message appears again even after closing all the covers, contact your local distributor, our sales office, or service center.
CAN'T OPERATE MEDIA UNDETECTED	The media has not been detected.	<ul style="list-style-type: none"> • Perform media detection.
CAN'T OPERATE MOTOR POWER OFF	The motor is OFF after the cover was opened etc.	<ul style="list-style-type: none"> • Close the front cover and maintenance covers (right and left).
CAN'T OPERATE INK ERROR	An ink error occurred.	<ul style="list-style-type: none"> • Check the ink bottle for the supply path corresponding to the indicated color.
CAN'T OPERATE DATA REMAIN	Data was received.	<ul style="list-style-type: none"> • Perform data clear. (☞ P.2-39)

Message displayed in LOCAL

Message	Cause	Solution
<LOCAL> Can't PRINT / CART. [ENT]	Ink errors (unusable ink) occur in multiple ink bottles. Ink supply (print, cleaning, etc.) cannot be performed.	<ul style="list-style-type: none"> • Press the ENTER key to check the ink bottle generating the warning. Replace them with usable ink bottles.
<LOCAL> Waste ink full	The waste ink tank is full.	<ul style="list-style-type: none"> • Check the waste ink tank.
<LOCAL> Waste ink near full	The waste ink tank is nearly full.	
<LOCAL> Waste ink tank none	The waste ink tank is not set.	
<LOCAL> Replace a WIPER [MNT]	Time to replace the wiper in the capping station with a new one has come. (The wiping count has reached the specified value.)	<ul style="list-style-type: none"> • Press the MAINT. key and replace the wiper with a new one. (☞ P.4-32)
<LOCAL> ** NO MEDIA **	The media is not set. The sensor has been broken.	<ul style="list-style-type: none"> • Set the media. (☞ P.2-7) When displaying again, contact your local distributor, our sales office, or service center.
<LOCAL> DATA REMAIN	The data has been received.	<ul style="list-style-type: none"> • Press the REMOTE key to perform printing. Or, perform data clear.

Message	Cause	Solution
<LOCAL> NEGATIVE PRESSURE	The value of the negative pressure sensor is abnormal.	<ul style="list-style-type: none"> Perform "PRESSURE ADJUST" (P.5-7) of the maintenance. If you cannot adjust it to the normal value, or even if you perform, it may be displayed, contact your local distributor, our sales office, or service center.
<LOCAL> POSITIVE PRESSURE	The value of the positive pressure sensor is abnormal.	
<LOCAL> NEGATIVE P. ADJUST	Pressure needs to be adjusted.	
<LOCAL> INK NEAR END [ENT]	The ink of the ink bottle has been nearly used up.	<ul style="list-style-type: none"> Press the ENTER key to check the relevant ink bottle. Be careful because it may be INK NEAR END soon.
<LOCAL> EXPIRATION [ENT]	The specified expiration date of an ink bottle has passed.	The expiration date has passed. However, you can use it until the end of the following month.
<LOCAL> EXPIRATION(1M) [ENT]	The expiration date of an ink bottle has passed (one month has passed after the specified expiration date).	<ul style="list-style-type: none"> One month has passed after the expiration date. However, you can use it until the end of this month. (The ink bottle lamp blinks in red.)
<LOCAL> EXPIRATION(2M) [ENT]	The expiration date of an ink bottle has passed (two months have passed after the specified expiration date).	<p>Two months have passed after the expiration date.</p> <p>Replace the ink bottle generating the warning with a new one.</p>
<LOCAL> SUPPLY INK :MMCCYYKK	Ink could not be supplied to the sub tank.	<ul style="list-style-type: none"> Perform "SUB TANK" (P.5-6) of the maintenance. Also check the remaining amount of ink in the ink bottle. Even if you performed this, when the message is displayed, contact your local distributor, our sales office, or service center.
<LOCAL> Sub tank Sens : MMCCYYKK	The liquid level sensor abnormality of the sub tank has been detected.	<ul style="list-style-type: none"> Turn off the power on the machine and turn it on after a while. When displaying again, contact your local distributor, our sales office, or service center.
<LOCAL> Ink Overflow : MMCCYYKK	Overflow from the sub tank has been detected.	<ul style="list-style-type: none"> Perform "SUB TANK" (P.5-6) of the maintenance. Even if you performed this, when the message is displayed, contact your local distributor, our sales office, or service center.
<LOCAL> TANKlevrIH : MMCCYYKK	Though a certain amount was consumed, there is no change in the sub tank sensor High.	
<LOCAL> TANKlevrIL : MMCCYYKK	Though a certain amount was consumed, there is no change in the sub tank sensor Low.	
<LOCAL> Replace DeAirModule	The deaeration module in the ink path shall be replaced soon. (One year has passed since you started using it.)	<ul style="list-style-type: none"> The deaeration module shall be replaced. Contact a distributor in your district, our office, or our call center.
<LOCAL> MachineTEMP/Hi ***°C	The machine temperature is high.	<ul style="list-style-type: none"> Adjust the ambient temperature of the installation place.
<LOCAL> MachineTEMP/Lo ***°C	The machine temperature is low.	

Message	Cause	Solution
<LOCAL> Ymotor Cleaning [MNT]	Time to clean the Y motor has come.	<ul style="list-style-type: none"> Turn off the power and vacuum debris of the Y motor from the vacuuming window. (P.4-29) After the replacement, press the MAINT. key on the local screen to clear the warning.
<LOCAL> Replace Ymotor Brush	Time to replace the brush of Y motor has come.	<ul style="list-style-type: none"> The brush of Y motor shall be replaced. Contact a distributor in your district, our office, or our call center.
<LOCAL> Take-UP CoverOPEN	The cover of the media take-up machine was open was detected.	<ul style="list-style-type: none"> Check the cover of the media take-up machine. Even if you close the cover, if the same error is displayed, contact a distributor in your district, our office or our call center.
<LOCAL> Take-UP LimitDETECT	The control limit sensor of the media take-up machine was detected.	<ul style="list-style-type: none"> Lower the position of the tension bar at the take-up side. Even if you lower the position, if the same message is displayed, contact a distributor in your district, our office or our call center.
<LOCAL> Take-UP WRONG	An abnormality occurred in the take-up status of the media take-up machine.	<ul style="list-style-type: none"> Check that the media is set on the media take-up machine correctly. Check that the paper core for taking up media does not run idle.
<LOCAL> Feeding CoverOPEN	The cover of the media feeding machine was open was detected.	<ul style="list-style-type: none"> Check the cover of the media feeding machine. Even if you close the cover, if the same error is displayed, contact a distributor in your district, our office or our call center.
<LOCAL> Feeding LimitDETECT	The control limit sensor of the media feeding machine was detected.	<ul style="list-style-type: none"> Lower the position of the tension bar at the feeding side. Even if you lower the position, if the same message is displayed, contact a distributor in your district, our office or our call center.
<LOCAL> Feeding WRONG	An abnormality occurred in the feeding status of the media feeding machine.	<ul style="list-style-type: none"> Check that the media is set on the media feeding machine correctly. Check that the paper core of roll media does not run idle.
Mist Filter Please Replace [ENT]	Time to replace the mist filter has come.	<ul style="list-style-type: none"> For replacing the filter, refer to the separate "Requests for Daily Care and Maintenance".
!PRE HEATER BRK	A platen heater is disconnected.	<ul style="list-style-type: none"> Turn off the main power to the machine and turn it on after a while. When displaying again, contact your local distributor, our sales office, or service center.
!PRINT HEATER BRK		
!POST HEATER BRK		
<LOCAL> PostCureUV 123 [MNT]	Time to replace the post cure lamp has come.	<ul style="list-style-type: none"> For replacing the lamp, refer to P.4-35 "About time to replace lamp".
<LOCAL> POST CURE COVER OPEN	The cover of the post cure lamp unit was open was detected.	<ul style="list-style-type: none"> Check the cover of the post cure lamp unit. Even if you close the cover, if the same error is displayed, contact a distributor in your district, our office or our call center.

Message	Cause	Solution
<LOCAL> UV LAMP TEMP. HIGH	The LED lamp temperature is high.	<ul style="list-style-type: none"> • Wait for a while until the temperature lowers and the message disappears.
<LOCAL> WATER LACK 12	Water in the cooling water tank becomes less.	<ul style="list-style-type: none"> • Add cooling water in the cooling water tank of the indicated number.
<LOCAL> REFILL WATER	It has been 7 days or more since water of cooling water tank is running low.	<ul style="list-style-type: none"> • Add cooling water in the cooling water tank of the indicated number. • Can not print online while this warning is displayed.

Ink Error

Ink error is displayed also in the local guidance. (☞ P.3-53)

Message	Cause	Solution
WRONG INK IC :---- YYKK	The inserted IC chip is not loaded correctly.	<ul style="list-style-type: none"> Remove the IC chip generating the warning once and install it again. If the same warning message still appears, contact your local distributor, our sales office, or service center.
KIND OF INK :---- YYKK	The type of ink on the inserted IC chip is different from the ink in the bottle.	<ul style="list-style-type: none"> Check the type of ink on both the IC chip and the ink bottle.
COLOR OF INK :---- YYKK	The color of ink on the inserted IC chip is different from the ink in the bottle.	<ul style="list-style-type: none"> Check the color of ink on both the IC chip and the ink bottle. Check the color of the ink for the slot into which the IC chip was inserted.
INK IC ALREADY USED :---- YYKK	An IC chip that has already been charged was inserted.	<ul style="list-style-type: none"> Insert an IC chip that has not yet been charged.
INK IC Expiration :---- YYKK	The expiration date for the inserted IC chip has passed.	<ul style="list-style-type: none"> The expiration date for both the IC chip and the ink bottle has passed. This ink can still be used by performing ink charging with the maintenance function.
IC Expiration:1MONTH :---- YYKK	The expiration date for the inserted IC chip has passed. (1 month from the expiration date)	<ul style="list-style-type: none"> The expiration date for both the IC chip and the ink bottle has passed by 1 month or more. This ink can still be used by performing ink charging with the maintenance function.
IC Expiration:2MONTH :---- YYKK	The expiration date for the inserted IC chip has passed. (2 months from the expiration date)	<ul style="list-style-type: none"> The expiration date for both the IC chip and the ink bottle has passed by 2 months or more. Use a new ink IC and ink bottle.
NO INK BOTTLE :---- YYKK	The ink bottle is not set on the external ink supply unit.	<ul style="list-style-type: none"> Set the ink bottle on the bottle holder with the warning.
INK END :---- YYKK	The ink of the ink bottle has been completely used up.	<ul style="list-style-type: none"> Add ink to the ink bottle for which the warning occurred.
INK NEAR END :---- YYKK	The ink of the ink bottle has been nearly used up.	
Expiration :---- YYKK	The expiration date on the ink bottle for which the warning occurred has passed.	<ul style="list-style-type: none"> The expiration date has passed. However, you can use it until the end of the following month.
Expiration(1MONTH) :---- YYKK	The expiration date on the ink bottle for which the warning occurred has passed. (1 month from the expiration date)	<ul style="list-style-type: none"> One month has passed after the expiration date. However, you can use it until the end of this month. (The ink bottle lamp blinks in red.)
Expiration(2MONTH) :---- YYKK	The expiration date on the ink bottle for which the warning occurred has passed. (2 months from the expiration date)	<ul style="list-style-type: none"> Two months have passed after the expiration date. Replace the ink bottle generating the warning with a new one.
CHARGE INK NEAREND :---- YYKK	The ink remaining in the printer has dropped to 10% or less.	<ul style="list-style-type: none"> Charge the ink into the printer which the warning occurred.
CHARGE INK END :---- YYKK	The ink remaining in the printer has reached zero.	

Error messages



When an error message is displayed, eliminate the error according to the chart below.
When displaying again, contact your dealer or an office of MIMAKI to call for service.

Message	Cause	Solution
ERROR 108 HD CONNECT [12345678]	Head connection can not be confirmed.	<ul style="list-style-type: none"> • Turn off the power on the machine and turn it on after a while. When displaying again, contact your local distributor, our sales office, or service center.
ERROR 108 HD THERMIS [12345678]	Head temperature can not be read.	
ERROR 12a HDC SPEED	Abnormality of the ink discharge waveforms.	
ERROR 12e HeadFaild /HDC [xxxx]	Abnormality of the Driver of the Print head.	
ERROR 122 CHECK: SDRAM	There is no PRAM.	
ERROR 128 HDC FIFO OVER	Data transmission speed is too fast. Control circuit board is defective.	
ERROR 128 HDC FIFO UNDER	Data transmission speed is too slow. Control circuit board is defective.	
ERROR 129 BATTERY EXCHANGE	The battery life end of the internal clock is detected.	<ul style="list-style-type: none"> • Contact your local distributor, our sales office, or service center.
ERROR 130 HD DATA SEQ	Head data transferring sequence error occurred.	<ul style="list-style-type: none"> • Turn off the power on the machine and turn it on after a while. When displaying again, contact your local distributor, our sales office, or service center.
ERROR 146 E-LOG SEQ	Sequential number abnormality of the event log occurred.	
ERROR 151 Main PCB V12R	An error occurred in the main PCB 1.2V power supply.	
ERROR 152 Main PCB V2R5	An error occurred in the main PCB 2.5V power supply.	
ERROR 153 Main PCB V3R3	An error occurred in the main PCB 3.3V power supply.	
ERROR 154 Main PCB V05	An error occurred in the main PCB 5V power supply.	
ERROR 155 Main PCB V36-1	An error occurred in the main PCB 36-1 power supply.	
ERROR 156 Main PCB V5B	An error occurred in the main PCB 5VB power supply.	
ERROR 157 Main PCB VTT	An error occurred in the main PCB VTT power supply.	
ERROR 158 Main PCB V36-2	An error occurred in the main PCB 36-2V power supply.	

Message	Cause	Solution
ERROR 16e Main PCB V3R3B	An error occurred in the main PCB 3.3VB power supply.	
ERROR 18a Main PCB V_CORE	An error occurred in the main PCB VCORE power supply.	
ERROR 18b Main PCB V1R5B	An error occurred in the main PCB 1.5V power supply.	
ERROR 18c Main PCB V12	An error occurred in the main PCB 12V power supply.	
ERROR15f HEAD DRIVE HOT	COM driver becomes the high temperature.	
ERROR 171 NEW HEAD CONNECT	New Print Head was recognized.	
ERROR 172 Main PCB Q6 Check K	The main PCB Q6 is disabled (short mode).	
ERROR 186 HDC OVERFLOW	An error is detected on the waveform printed on.	<ul style="list-style-type: none"> • Turn off the power on the machine and turn it on after a while. When displaying again, contact your local distributor, our sales office, or service center.
ERROR 186 HDC UNDERFLOW		
ERROR 187 HDC SLEW RATE		
ERROR 188 HDC MEMORY		
ERROR 18e FLS NOT COMP [12__]	Abnormality of the flushing control.	
ERROR 18f OFFSET START [12__]	Abnormality of the head voltage control.	
ERROR 18f OFFSET END [12__]		
ERROR 19d HDC V36 [xxxx]	Abnormality of the HDC substrate voltage.	
ERROR 19F LED CONNCT ERR	The LED UV is not connected.	
ERROR 201 COMMAND	The machine received some data other than command data.	<ul style="list-style-type: none"> • Securely connect the interface cable in position. • Use an interface cable conforming to the specifications.
ERROR 202 PARAMETER	Any parameter outside the range of acceptable numeric values was received.	
ERROR 203 Ment Command	A maintenance command error occurred.	

Message	Cause	Solution
ERROR 304 USB INIT ERR	USB device initialization failure.	<ul style="list-style-type: none"> • Turn off the main power to the machine and turn it on after a while. When displaying again, contact your local distributor, our sales office, or service center.
ERROR 305 USB TIME OUT	Occurrence of a time out error on a USB device.	
ERROR 401 MOTOR X	An excessive load was applied to the X motor.	
ERROR 402 MOTOR Y	An excessive load was applied to the Y motor.	
ERROR 403 X CURRENT	An error due to an excessive current of the X motor was detected.	
ERROR 404 Y CURRENT	An error due to an excessive current of the Y motor was detected.	
ERROR 423 TAKE-UP TENSION BAR	An error was detected in the take-up tension bar at media set check when starting printing.	<ul style="list-style-type: none"> • Check the media set status, and solve the problem.
ERROR 424 FEEDING TENSION BAR	An error was detected in the feeding tension bar at media set check when starting printing.	<ul style="list-style-type: none"> • Check the media set status, and solve the problem.
ERROR 425 Take-UP WRONG	An error occurred in the take-up status of the take-up unit.	<ul style="list-style-type: none"> • Check that the media can be taken up to the take-up unit. • Check that the paper core taking up the media does not run idle.
ERROR 426 Feeding WRONG	An error occurred in the feeding status of the feeding unit.	<ul style="list-style-type: none"> • Check that the media can be taken up to the feeding unit. • Check that the media does not run idle.
ERROR 427 Take-UP CoverOPEN	The take-up cover opened during printing.	<ul style="list-style-type: none"> • Close the take-up cover.
ERROR 428 Feeding CoverOPEN	The feeding cover opened during printing.	<ul style="list-style-type: none"> • Close the feeding cover.
ERROR 429 Take-UP LimitDETECT	The take-up limit sensor was detected during printing.	<ul style="list-style-type: none"> • Lower the tension bar or move it to the waiting position.
ERROR 42a Feeding LimitDETECT	The feeding limit sensor was detected during printing.	<ul style="list-style-type: none"> • Lower the tension bar or move it to the waiting position.
ERROR 42b Feeding Bar Shelter	The tension bar is in the upper position during printing.	<ul style="list-style-type: none"> • Lower the tension bar.
ERROR 447 CUTTER ENCODER ERR	An error occurred in the cutter encoder.	<ul style="list-style-type: none"> • Turn off the main power to the machine and turn it on after a while. When displaying again, contact your local distributor, our sales office, or service center.
ERROR 44d STATION POS ERROR	An error occurred in the station position.	
ERROR 45F EXCHG. PoctCureUV 123	Time to replace the post cure lamp has come.	<ul style="list-style-type: none"> • For replacing the lamp, refer to P.4-35 "About time to replace lamp".
ERROR 505 MEDIA JAM	The media jam occurs.	<ul style="list-style-type: none"> • Remove the media and reset it.

Message	Cause	Solution
ERROR 50c MEDIA WIDTH SENSOR	The media width has not been detected correctly.	<ul style="list-style-type: none"> Check the media set position. (☞ P.2-25) Clean the media sensor. (☞ P.4-4)
ERROR 510 THICKNESS DETECT	The media thickness could not be detected correctly.	<ul style="list-style-type: none"> Enter the media thickness manually. (☞ P.2-19) Perform media detection again.
ERROR 509 HDC POSCNT	A HDC position counter error occurred.	<ul style="list-style-type: none"> Turn off the main power to the machine and turn it on after a while. When displaying again, contact your local distributor, our sales office, or service center.
ERROR 50a Y ORIGIN	Y-origin could not be detected.	
ERROR 50f L-SCALE BLACK	Abnormal linear scale.	
ERROR 516 MEDIA SET POSITION L	The media is set outside the proper area.	<ul style="list-style-type: none"> Check the media set position. (☞ P.2-25)
ERROR 516 MEDIA SET POSITION R		
ERROR 519 NEGATIVE P. SENSOR	The value of the negative pressure sensor is abnormal.	<ul style="list-style-type: none"> Perform "PRESSURE ADJUST" (☞ P.5-7) of the maintenance. If you cannot adjust it to the normal value, or, even if you perform, it may be displayed, contact your local distributor, our sales office, or service center.
ERROR 51a POSITIVE P. SENSOR	The value of the positive pressure sensor is abnormal.	
ERROR 617 SUBTANK SNN : 12345678	The liquid level sensor abnormality of the sub tank has been detected.	<ul style="list-style-type: none"> Turn off the main power to the machine and turn it on after a while. When displaying again, contact your local distributor, our sales office, or service center.
ERROR 618 TANK level H : 12345678	Though a certain amount was consumed, there is no change in the sub tank sensor High.	<ul style="list-style-type: none"> Perform "SUB TANK" (☞ P.5-6) of the maintenance. Even if you performed this, when the message is displayed, contact your local distributor, our sales office, or service center.
ERROR 619 TANK level L : 12345678	Though a certain amount was consumed, there is no change in the sub tank sensor Low.	
ERROR 61a OVER FLOW : 12345678	Overflow from the sub tank has been detected.	
ERROR 61b SUPPLY INK : 12345678	Ink could not be supplied to the sub tank.	<ul style="list-style-type: none"> Perform "SUB TANK" (☞ P.5-6) of the maintenance. Also check the remaining amount of ink in the ink bottle. Even if you performed this, when the message is displayed, contact your local distributor, our sales office, or service center.
ERROR 61c NEGATIVE P. CONTROL	Starting of the negative pressure control has an abnormality.	<ul style="list-style-type: none"> Perform "PRESSURE ADJUST" (☞ P.5-7) of the maintenance. If you cannot adjust it to the normal value, or, even if you perform, it may be displayed, contact your local distributor, our sales office, or service center.
ERROR 61d NEGATIVE P. Not Enough	The negative pressure cannot be kept properly	
ERROR 61e NEGATIVE P. OVER		
ERROR 61f POSITIVE P. CONTROL	Starting of the positive pressure control has an abnormality.	

Message	Cause	Solution
ERROR 620 POSITIVE P. NotEnough	The positive pressure cannot be kept properly.	<ul style="list-style-type: none"> Perform "PRESSURE ADJUST" (☞ P.5-7) of the maintenance. If you cannot adjust it to the normal value, or, even if you perform, it may be displayed, contact your local distributor, our sales office, or service center.
ERROR 621 POSITIVE P. OVER		
ERROR 627 INSERT CARTRIDGE	There is a slot in which the ink bottle has not been inserted more than a certain time.	Set an ink bottle.
ERROR 637 INK LEAK 1--	The ink leakage is detected in the ink supply path.	<ul style="list-style-type: none"> Turn off the main power to the machine and turn it on after a while. When displaying again, contact your local distributor, our sales office, or service center.
ERROR 649 NEGATIVE P. ADJUST	Pressure needs to be adjusted.	<ul style="list-style-type: none"> Perform "PRESSURE ADJUST" (☞ P.5-7) of the maintenance. If you cannot adjust it to the normal value, or, even if you perform, it may be displayed, contact your local distributor, our sales office, or service center.
ERROR 702 THERMISTOR	The thermistor of a heater is defective.	<ul style="list-style-type: none"> Turn off the main power to the machine and turn it on after a while. When displaying again, contact your local distributor, our sales office, or service center.
ERROR 707 !H1 HEATER BREAK	A head heater is disconnected.	
ERROR 714 INK HEATER COM ERR	There was a communication error in the ink heater relay board.	<ul style="list-style-type: none"> Turn off the main power to the machine and turn it on after a while. During startup, the following message is displayed. <div style="border: 1px solid black; padding: 5px; width: fit-content; margin: 10px auto;"> INK HEATER CONTROL CANCEL < > START </div> <p>Press the  key and start ink heater control. When displaying again, contact your local distributor, our sales office, or service center.</p>
ERROR 715 InkHeaterHThr: 123456	The ink heater thermistor is defective.	<ul style="list-style-type: none"> Turn off the main power to the machine and turn it on after a while. When displaying again, contact your local distributor, our sales office, or service center.
ERROR 715 InkHeaterLThr: 123456		
ERROR 716 InkHeaterHTmp: 123456	<p>The ink heater is too hot.</p> <ul style="list-style-type: none"> If the temperature continues to rise, the print is cancelled and control becomes impossible. 	<ul style="list-style-type: none"> Turn off the main power, and wait an hour or more before turning it back on. If control became impossible after the error was displayed, the following message is displayed. <div style="border: 1px solid black; padding: 5px; width: fit-content; margin: 10px auto;"> INK HEATER CONTROL CANCEL < > START </div> <p>Press the  key and start ink heater control. When displaying again, contact your local distributor, our sales office, or service center.</p>
ERROR 716 InkHeaterLTmp: 123456		

Message	Cause	Solution
ERROR 717 InkHeaterHBrk:123456	The ink heater is disconnected.	<ul style="list-style-type: none"> • Turn off the main power to the machine and turn it on after a while. When displaying again, contact your local distributor, our sales office, or service center.
ERROR 717 InkHeaterLBrk:123456		
ERROR 718 InkHeaterPCB Thr:12	The thermistor on the ink heater relay board is defective.	
ERROR 719 InkHeaterPCB fuse:12	The fuse on the ink heater relay board was blown.	
ERROR 71a UV-DRV Fuse :*****	The fuse on the UV LED Driver board was blown.	
ERROR 901 INVZLID OPERATION	You have executed the operation that cannot be performed.	
ERROR 902 DATA REMAIN	There remains received data that has not yet been printed.	Execute the data clear function. (☞ P.2-39)
ERROR 90d NO HEAD SELECT	The number of mounted heads is 0 (zero).	<ul style="list-style-type: none"> • Turn off the main power to the machine and turn it on after a while. When displaying again, contact your local distributor, our sales office, or service center.
ERROR 910 ENVIRONMENT TEMP (LO)	The ambient temperature is out of the usable temperature range (too low).	<ul style="list-style-type: none"> • Adjust the ambient temperature of the installation place.
ERROR 911 ENVIRONMENT TEMP (HI)	The ambient temperature is out of the usable temperature range (too high).	
ERROR 912 INVALID INK CHARGE	Charging was not possible due to IC chip information, ink expiration date, or remaining volume.	<ul style="list-style-type: none"> • Charge the ink in maintenance function. To confirm the reason why charging was not possible, see “Displaying the Information of this machine” on P.3-53.

SYSTEM HALT

Message	Solution
SYSTEM HALT 000: MESSAGE	Turn off the main power to the machine and turn it on after a while. Check the number and contact your local distributor, our sales office, or service center. (“000” is the error No.)

Chapter 6

Appendix



This chapter

contains the lists of the specifications and functions of this machine.

Specifications	6-2
Machine specifications	6-2
Ink specifications	6-3
Supply item list	6-4
Setting orders depending on ink type	6-5
Setting orders of ink bottles	6-5
Warning labels	6-6
Sheet for inquiry	6-8
Function Flowchart	6-10

Specifications

Machine specifications

Item		Specifications
Print head	Method	Drop-on-demand piezoelectric print heads
	Specification	6 heads: 3-layered staggered arrangement in 2-line
Drawing mode (scan x feed)	4 colors	300x450HQ : Bi/Uni 3/6/12 pass (only normal mode) 600x600 : Bi/Uni 4/8/16 pass 600x900 : Bi/Uni 6/12/24 pass 1200x1200 : Bi/Uni 8/16/32 pass
	4 colors + White 6 colors + White	300x450HQ : Bi/Uni 6/12/24 pass 600x600 : Bi/Uni 8/16/32 pass 600x900 : Bi/Uni 12/24/48 pass 1200x1200 : Bi/Uni 16/32/64 pass
Usable inks		LUS-150 ink (M,C,Y,K,Lm,Lc,W) / LUS-200 ink (M,C,Y,K,W) / LUS-120 ink (M,C,Y,K,W)
Ink supply		Supplying 2L x 8 bottles (For 4-color, UISS switching is available. For 4-color + white, UISS switching is available only for M, C. For 6-color + white, UISS switching is impossible.)
Capacity of ink bottle	4 colors	2L-bottle x 2 for each color
	4 colors + White	M, C, W : 2L-bottle x 2 for each color Y, K : 2L-bottle x 1 for each color
	6 colors + White	W : 2L-bottle x 2 Other than W: 2L-bottle x 1 for each color
Media type		PVC/ PET film/ tarpaulin(only LUS-120 ink)
Max. printing width		1610mm (63.4in)
Roll Media size	Maximum	1620mm (63.8in)
	Minimum	297mm (11.7in)
	Thickness	1 mm (0.04in) or less
	Roll outside diameter	When using VTTS and feeding unit : Φ 300mm (11.8in) or less When using narrow take-up device : Φ 180mm (7.1in) or less
	Roll weight *1	When using VTTS and feeding unit : 60kg (132.3lb) or less When using narrow take-up device : 18kg (39.7lb) or less
	Roll inside diameter	When using VTTS and feeding unit : 3 inches When using narrow take-up device : 2 or 3 inches
	Printing surface	Regardless of inside and outside
	Roll end treatment	The roll end is gently fixed to the core with weak-adhesive tape or weak glue for easy removal.
Leaf media size	Maximum	1620mm (63.8in)
	Minimum	297mm (11.7in)
Margin	Leaf media	Left end and right end : 15 mm (Default) Front : 150.0 mm Rear : 800 mm (Left end and right end : 0.6 in (Default) Front : 6.0 in Rear : 31.5 in)
	Roll media	Left end and right end : 15 mm (Default) Front : 150.0 mm Rear : 0 mm (Left end and right end : 0.6in (Default) Front : 6 in Rear : 0 in)
Distance accuracy	Absolute accuracy	Whichever the larger one of ± 0.3 mm or ± 0.3 % of the designated (Whichever the larger one of ± 0.01 in or ± 0.3 % of the designated)
	Reproducibility	Whichever the larger one of ± 0.2 mm or ± 0.1 % of the designated (Whichever the larger one of ± 0.008 in or ± 0.1 % of the designated)
Perpendicularity		± 0.5 mm / 1000 mm (± 0.02 in / 39.4 in)
Media skew		5 mm or less / 10 m variable (0.2 in or less / 393.7 in variable)
Head height adjustment		1.5mm (0.06 in) to 7mm (0.3 in) Single-step user setting (media thickness automatic recognition)
Cutting of media		Cutting of Y direction by the head cutter, Cutting accuracy (steps) : 1.0 mm or less. (0.04 in or less.)
Media delivery		Take-up device supplied as a standard accessory (switching possible between face in and face out *2).
Waste ink tank		Bottle type (3,200 cc)/ Detected by sensor
Interface		USB 2.0
Command		MRL- III
Noise *3	during standby	Less than 58 dB (FAST-A, Front & Rear & Left & Right 1 m)
	during continuous printing	Less than 65 dB
	during discontinuous printing	Less than 70 dB
Safety Standard		VCCI-Class A, FCC-Class A, UL 60950, CE Marking (EMC, Low Voltage Directive, Machinery Directive), CB Report, RoHS
Power		AC200 - 240 \pm 10% , 50/60Hz \pm 1Hz , 29A or less

Item		Specifications
Power consumption ^{*4}		7200 W or less
Recommended Environment	Available temp.	20 °C to 30 °C (68°F to 86°F)
	Humidity	35 to 65% Rh (No condensation)
	Guaranteed temp.	20 °C to 25 °C (68°F to 77°F)
	Temperature change	± 10 °C / h or less
	Dust	0.15mg/m ³ (Equivalent to normal office level)
Weight	Highest operation height	2000 m (6561.7 ft)
	Printer main unit	800 kg (1763.7lb)
Outside dimensions ^{*5}	External ink supply unit	30 kg (66.1lb)
	Printer main unit	3830 mm(W) x 1930 mm(D) x 1700 mm(H) (150.8 in(W) x 76.0 in(D) x 67.0 in(H))
	External ink supply unit	777 mm(W) x 570 mm(D) x 830mm(H) (30.6 in(W) x 22.4 in(D) x32.6 in(H))

*1. Without deflection of the roll when it is retained at both ends.

*2. "Involute" for the media take-up direction is recommended.

*3. 65.1dB(A), Operating Condition: Full load Measuring Method: According to clause 1.7.4.2 of Machinery Directive 2006/42/EC

*4. Main unit and heater included.

*5. When take-up machine/ feeding machine are flat

Ink specifications

Item		Specifications
Supply		1L Ink bottle
Color		Black ink
		Cyan ink
		Magenta ink
		Yellow ink
		Light Cyan ink LightMagenta ink White ink
Ink capacity		1 liter
Shelf life		The period is printed on the ink bottle. Within three months after opening the package even in the available period.
Storage temperature	Storage	5°C to 30°C (41°F to 86°F)
	Transportation	1°C to 60°C (33.8°F to 140°F) (Storage at temperature of 60°C (140°F) is only permitted within 120 hours, and at temperature of 40°C is permitted within a month.)

Important!

● **Do not disassemble the ink bottle.**

● **Ink could freeze if kept in a cold place for an extended period.**

- If the ink freezes, thaw it at room temperature (25°C (77°F)) spending more than three hours before use. However, when you use the frozen ink, the printing quality becomes degraded due to altered ink. Store ink in the environment where ink may not freeze.

Supply item list

Product No.	Name	Product No.	Name
I-LUS20-C-BA	LUS-200 Cyan ink (1liter)	SPA-0188	Maintenance kit
I-LUS20-M-BA	LUS-200 Magenta ink (1liter)	SPA-0189	Carriage filter
I-LUS20-Y-BA	LUS-200 Yellow ink (1liter)	SPA-0190	Mist filter
I-LUS20-K-BA	LUS-200 Black ink (1liter)	SPA-0192	Cutter blades
I-LUS20-W-BA	LUS-200 White ink (1liter)	SPA-0193	Wiper kit
I-LUS15-C-BA	LUS-150 Cyan ink (1liter)	SPA-0195	Air pressure filter
I-LUS15-M-BA	LUS-150 Magenta ink (1liter)	SPA-0196	Ink filter white (for External ink supply unit)
I-LUS15-Y-BA	LUS-150 Yellow ink (1liter)	SPA-0197	Waste ink tank
I-LUS15-K-BA	LUS-150 Black ink (1liter)	SPA-0211	Air pressure filter kit
I-LUS15-LC-BA	LUS-150 Light cyan ink (1liter)	SPA-0214	Washing bypass tube jig kit
I-LUS15-LM-BA	LUS-150 Light magenta ink (1liter)	SPA-0219	F absorber kit
I-LUS15-W-BA	LUS-150 White ink (1liter)	SPA-0220	Air purge jig UJV
I-LUS12-C-BA	LUS-120 Cyan ink (1liter)	SPA-0222	Post cure lump (1pc. Included)
I-LUS12-M-BA	LUS-120 Magenta ink (1liter)	SPC-0690	Post cure lump (3pc. Included)
I-LUS12-Y-BA	LUS-120 Yellow ink (1liter)	SPA-0223	CAP absorber UJV kit
I-LUS12-K-BA	LUS-120 Black ink (1liter)	SPC-0527	Clean stick for the surroundings of the head 50pcs
I-LUS12-W-BA	LUS-120 White ink (1liter)		
		SPC-0568	Cleaning liquid for maintenance

Setting orders depending on ink type

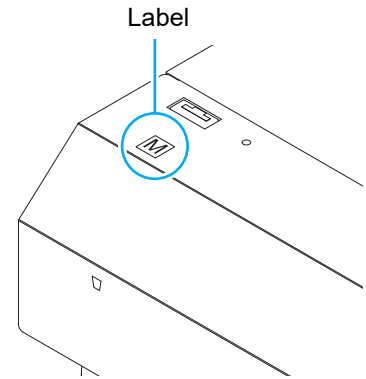
The setting value and the setting orders of the ink bottles differ depending on the ink type you use.

Setting orders of ink bottles

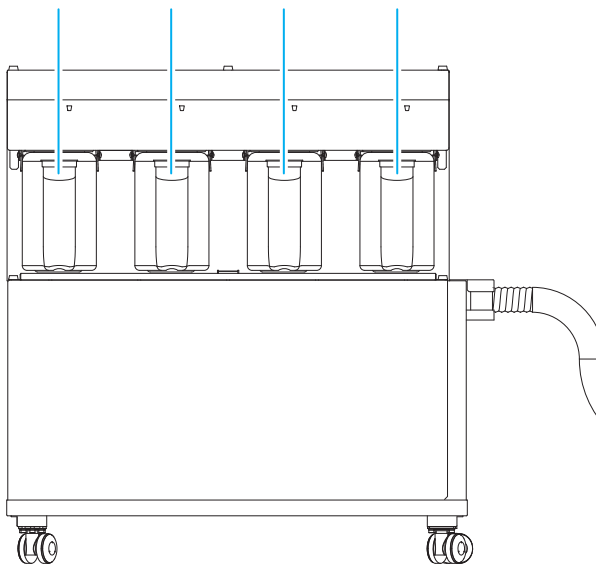
The orders of ink bottles set in the ink station differ depending on the ink set you use.



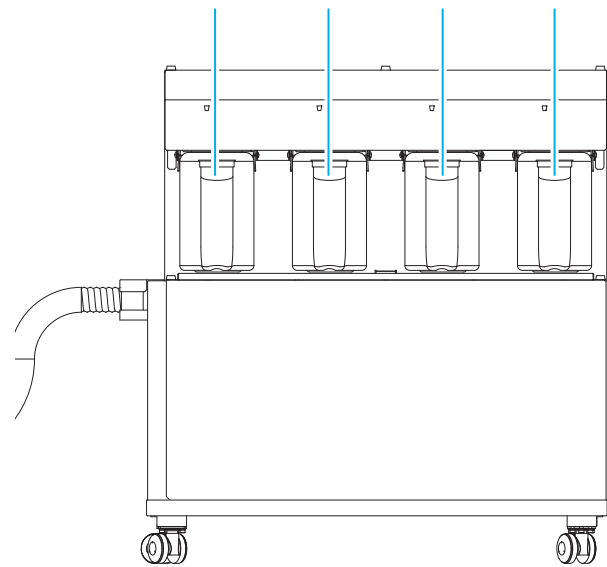
- Set the ink bottle aligning with the label pasted on the top surface of the ink cover.



C	C	M	M	4 colors model	K	K	Y	Y
C	C	M	M	4 colors + white model	W	W	K	Y
Lc	C	Lm	M	4 colors + white model	W	W	K	Y



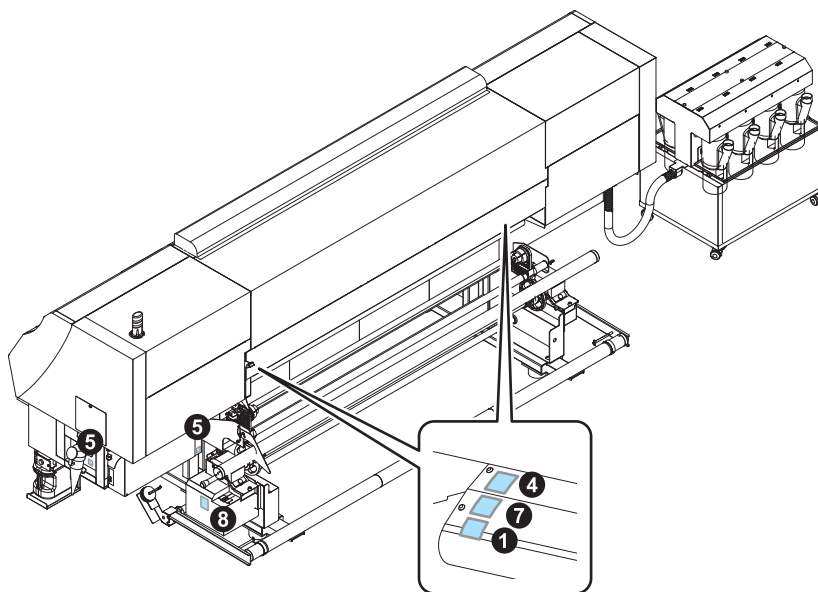
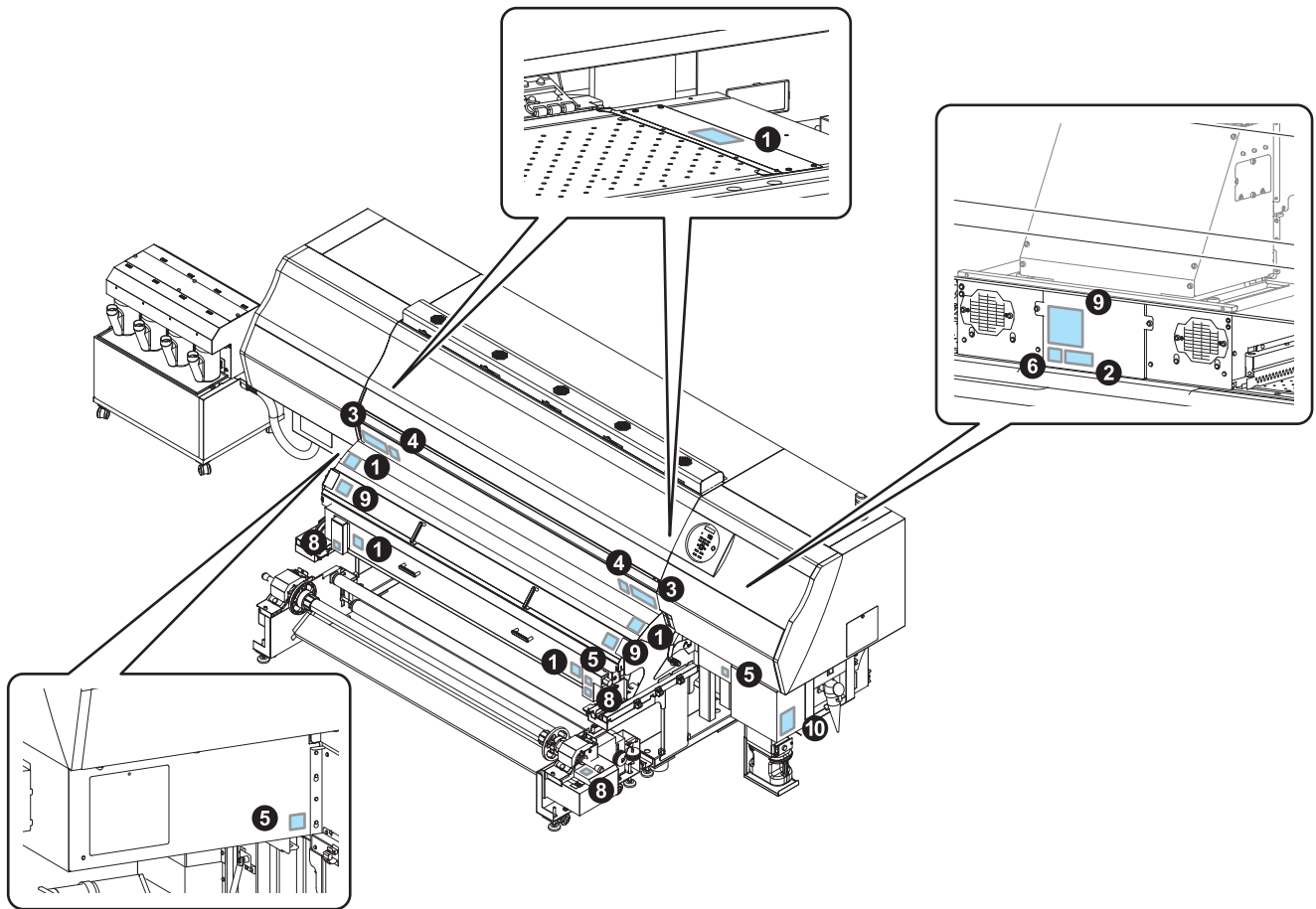
The front side
























The front side

Warning labels

Warning labels are stuck on the machine. Be sure to fully understand the warning given on the labels. If a warning label is illegible due to stains or has come off, purchase a new one from a distributor or our sales office.



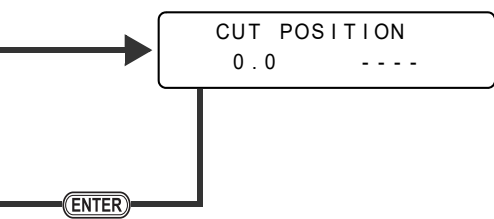
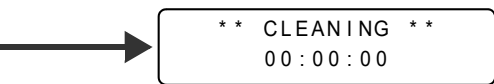
<p>1:Reorder .M903239</p> 	<p>2:Reorder .M903330</p> 														
<p>3:Reorder .M901549</p> <table border="1" data-bbox="280 465 1326 584"> <tr> <td data-bbox="280 465 491 584"> <p>注意</p> <p>滚轮转动时, 请勿将手插入前面外盖的内部。</p> </td> <td data-bbox="491 465 700 584"> <p>注意</p> <p>キャリッジ動作中は、フロントカバーの中に指を入れないでください。</p> </td> <td data-bbox="700 465 911 584"> <p>CAUTION</p> <p>-MOVING CARRIAGE- Do not put fingers inside this area</p> </td> <td data-bbox="911 465 1120 584"> <p>ACHTUNG</p> <p>-Beweglicher Wagen- Finger nicht in diesen Bereich bringen.</p> </td> <td data-bbox="1120 465 1326 584"> <p>ATTENTION</p> <p>-CHARIOT MOBILE- Ne pas mettre de doigts dans cette zone.</p> </td> </tr> </table>		<p>注意</p> <p>滚轮转动时, 请勿将手插入前面外盖的内部。</p>	<p>注意</p> <p>キャリッジ動作中は、フロントカバーの中に指を入れないでください。</p>	<p>CAUTION</p> <p>-MOVING CARRIAGE- Do not put fingers inside this area</p>	<p>ACHTUNG</p> <p>-Beweglicher Wagen- Finger nicht in diesen Bereich bringen.</p>	<p>ATTENTION</p> <p>-CHARIOT MOBILE- Ne pas mettre de doigts dans cette zone.</p>									
<p>注意</p> <p>滚轮转动时, 请勿将手插入前面外盖的内部。</p>	<p>注意</p> <p>キャリッジ動作中は、フロントカバーの中に指を入れないでください。</p>	<p>CAUTION</p> <p>-MOVING CARRIAGE- Do not put fingers inside this area</p>	<p>ACHTUNG</p> <p>-Beweglicher Wagen- Finger nicht in diesen Bereich bringen.</p>	<p>ATTENTION</p> <p>-CHARIOT MOBILE- Ne pas mettre de doigts dans cette zone.</p>											
<p>4:Reorder .M907833</p> 	<p>7:Reorder .M9037834</p> 														
<p>5:Reorder .M907935</p> 	<p>8:Reorder .M903404</p> <table border="1" data-bbox="978 913 1283 1151"> <tr> <td data-bbox="978 913 1043 958"> <p>WARNING</p> </td> <td data-bbox="1043 913 1283 958"> <p>Hazardous moving parts. Keep fingers and other body parts away.</p> </td> </tr> <tr> <td data-bbox="978 958 1043 1003"> <p>AVERTISSEMENT</p> </td> <td data-bbox="1043 958 1283 1003"> <p>Pieces mobiles dangereuses. N'en Approchez jamais les doigts et d'autres parties du corp.</p> </td> </tr> <tr> <td data-bbox="978 1003 1043 1048"> <p>WARNING</p> </td> <td data-bbox="1043 1003 1283 1048"> <p>Gefährliche bewegte teile! Nicht die finger oder andere korperteile in die nahe bringen!</p> </td> </tr> <tr> <td data-bbox="978 1048 1043 1093"> <p>警告</p> </td> <td data-bbox="1043 1048 1283 1093"> <p>危険な可動部です。指や身体を絶対に近づけないようにしてください。</p> </td> </tr> <tr> <td data-bbox="978 1093 1043 1151"> <p>警告</p> </td> <td data-bbox="1043 1093 1283 1151"> <p>歯輪外露运转部！絶対不可用身体和手指接近。</p> </td> </tr> </table>	<p>WARNING</p>	<p>Hazardous moving parts. Keep fingers and other body parts away.</p>	<p>AVERTISSEMENT</p>	<p>Pieces mobiles dangereuses. N'en Approchez jamais les doigts et d'autres parties du corp.</p>	<p>WARNING</p>	<p>Gefährliche bewegte teile! Nicht die finger oder andere korperteile in die nahe bringen!</p>	<p>警告</p>	<p>危険な可動部です。指や身体を絶対に近づけないようにしてください。</p>	<p>警告</p>	<p>歯輪外露运转部！絶対不可用身体和手指接近。</p>				
<p>WARNING</p>	<p>Hazardous moving parts. Keep fingers and other body parts away.</p>														
<p>AVERTISSEMENT</p>	<p>Pieces mobiles dangereuses. N'en Approchez jamais les doigts et d'autres parties du corp.</p>														
<p>WARNING</p>	<p>Gefährliche bewegte teile! Nicht die finger oder andere korperteile in die nahe bringen!</p>														
<p>警告</p>	<p>危険な可動部です。指や身体を絶対に近づけないようにしてください。</p>														
<p>警告</p>	<p>歯輪外露运转部！絶対不可用身体和手指接近。</p>														
<p>6:Reorder .M903405</p> 	<p>10:Reorder .M909860</p> <table border="1" data-bbox="978 1267 1283 1688"> <tr> <td data-bbox="978 1267 1043 1312"> <p>!</p> </td> <td data-bbox="1043 1267 1283 1312"> <p>Equipment to be connected to earthed mains outlet only. Appareil ma être rattaché à une prise à terre. Appareil skall anslutas till jordat uttag.</p> </td> </tr> <tr> <td data-bbox="978 1312 1043 1379"> <p>!</p> </td> <td data-bbox="1043 1312 1283 1379"> <p>この装置は、クラスA情報技術装置です。この装置を家庭環境で使用すると電波妨害を引き起こすことがあります。この場合には使用者が適切な対策を講ずるよう要求される場合があります。 VCCI-A</p> </td> </tr> <tr> <td data-bbox="978 1379 1283 1447"> <p>This device complies with Part 15 of the FCC Rules. Operation is subject to the following two conditions: (1) This device may not cause harmful interference, and (2) This device must accept any interference received, including interference that may cause undesired operation.</p> </td> <td data-bbox="978 1447 1283 1491"> <p>This Class A digital apparatus complies with Canadian ICES-003. Cet appareil numérique de la classe A est conforme à la norme NMB-003 du Canada.</p> </td> </tr> <tr> <td data-bbox="978 1491 1203 1536"> <p>MODEL-SERIAL NO. Model1-Serialnummer 品名-型番-serial No. MODEL-N° DE SÉRIE</p> </td> <td data-bbox="1203 1491 1283 1536">  </td> </tr> <tr> <td data-bbox="978 1536 1203 1581"> <p>CONFORMS TO UL STD 60950-1 Certified to CAN/CSA STD C22.2 No. 60950-1</p> </td> <td data-bbox="1203 1536 1283 1581">  </td> </tr> <tr> <td data-bbox="978 1581 1203 1626"> <p>SGPRB31-160 *****</p> </td> <td data-bbox="1203 1581 1283 1626"> <p>3080219</p> </td> </tr> <tr> <td data-bbox="978 1626 1203 1688"> <p>INLET 200-240V ~ 30A 50/60Hz weight of machine 750kg short circuit rating 1.0KA electrical diagram no. E200947 MITSUBISHI ENGINEERING CO., LTD 三菱電機株式会社</p> </td> <td data-bbox="1203 1626 1283 1688"> <p>2182-3 Shigano-otsu, Tomi, Nagano 389-0512 Japan Year of manufacture 2008 Hersteller/Jahr 2008 Année de fabrication FABRIQUE AU JAPON</p> </td> </tr> </table>	<p>!</p>	<p>Equipment to be connected to earthed mains outlet only. Appareil ma être rattaché à une prise à terre. Appareil skall anslutas till jordat uttag.</p>	<p>!</p>	<p>この装置は、クラスA情報技術装置です。この装置を家庭環境で使用すると電波妨害を引き起こすことがあります。この場合には使用者が適切な対策を講ずるよう要求される場合があります。 VCCI-A</p>	<p>This device complies with Part 15 of the FCC Rules. Operation is subject to the following two conditions: (1) This device may not cause harmful interference, and (2) This device must accept any interference received, including interference that may cause undesired operation.</p>	<p>This Class A digital apparatus complies with Canadian ICES-003. Cet appareil numérique de la classe A est conforme à la norme NMB-003 du Canada.</p>	<p>MODEL-SERIAL NO. Model1-Serialnummer 品名-型番-serial No. MODEL-N° DE SÉRIE</p>		<p>CONFORMS TO UL STD 60950-1 Certified to CAN/CSA STD C22.2 No. 60950-1</p>		<p>SGPRB31-160 *****</p>	<p>3080219</p>	<p>INLET 200-240V ~ 30A 50/60Hz weight of machine 750kg short circuit rating 1.0KA electrical diagram no. E200947 MITSUBISHI ENGINEERING CO., LTD 三菱電機株式会社</p>	<p>2182-3 Shigano-otsu, Tomi, Nagano 389-0512 Japan Year of manufacture 2008 Hersteller/Jahr 2008 Année de fabrication FABRIQUE AU JAPON</p>
<p>!</p>	<p>Equipment to be connected to earthed mains outlet only. Appareil ma être rattaché à une prise à terre. Appareil skall anslutas till jordat uttag.</p>														
<p>!</p>	<p>この装置は、クラスA情報技術装置です。この装置を家庭環境で使用すると電波妨害を引き起こすことがあります。この場合には使用者が適切な対策を講ずるよう要求される場合があります。 VCCI-A</p>														
<p>This device complies with Part 15 of the FCC Rules. Operation is subject to the following two conditions: (1) This device may not cause harmful interference, and (2) This device must accept any interference received, including interference that may cause undesired operation.</p>	<p>This Class A digital apparatus complies with Canadian ICES-003. Cet appareil numérique de la classe A est conforme à la norme NMB-003 du Canada.</p>														
<p>MODEL-SERIAL NO. Model1-Serialnummer 品名-型番-serial No. MODEL-N° DE SÉRIE</p>															
<p>CONFORMS TO UL STD 60950-1 Certified to CAN/CSA STD C22.2 No. 60950-1</p>															
<p>SGPRB31-160 *****</p>	<p>3080219</p>														
<p>INLET 200-240V ~ 30A 50/60Hz weight of machine 750kg short circuit rating 1.0KA electrical diagram no. E200947 MITSUBISHI ENGINEERING CO., LTD 三菱電機株式会社</p>	<p>2182-3 Shigano-otsu, Tomi, Nagano 389-0512 Japan Year of manufacture 2008 Hersteller/Jahr 2008 Année de fabrication FABRIQUE AU JAPON</p>														
<p>9:Reorder .M905980</p> <table border="1" data-bbox="331 1290 624 1666"> <tr> <td data-bbox="331 1290 432 1379"> <p>WARNING</p>  </td> <td data-bbox="432 1290 624 1379"> <p>Ultraviolet is radiated. If you touch UV, you may lose your sight and get burnt.</p> </td> </tr> <tr> <td data-bbox="331 1379 432 1469"> <p>PRÉVENIR</p>  </td> <td data-bbox="432 1379 624 1469"> <p>Les ultraviolets sont irradiés. Par les ultraviolets, vous pouvez perdre votre et pouvez me brûler.</p> </td> </tr> <tr> <td data-bbox="331 1469 432 1559"> <p>WARNING</p>  </td> <td data-bbox="432 1469 624 1559"> <p>紫外線が照射されています。紫外線を浴びると、失明や火傷の恐れがあります。</p> </td> </tr> <tr> <td data-bbox="331 1559 432 1666"> <p>ULTRAVIOLET RADIATION</p> </td> <td data-bbox="432 1559 624 1666"> <p>ULTRAVIOLET RADIATION</p> </td> </tr> </table>	<p>WARNING</p> 	<p>Ultraviolet is radiated. If you touch UV, you may lose your sight and get burnt.</p>	<p>PRÉVENIR</p> 	<p>Les ultraviolets sont irradiés. Par les ultraviolets, vous pouvez perdre votre et pouvez me brûler.</p>	<p>WARNING</p> 	<p>紫外線が照射されています。紫外線を浴びると、失明や火傷の恐れがあります。</p>	<p>ULTRAVIOLET RADIATION</p>	<p>ULTRAVIOLET RADIATION</p>							
<p>WARNING</p> 	<p>Ultraviolet is radiated. If you touch UV, you may lose your sight and get burnt.</p>														
<p>PRÉVENIR</p> 	<p>Les ultraviolets sont irradiés. Par les ultraviolets, vous pouvez perdre votre et pouvez me brûler.</p>														
<p>WARNING</p> 	<p>紫外線が照射されています。紫外線を浴びると、失明や火傷の恐れがあります。</p>														
<p>ULTRAVIOLET RADIATION</p>	<p>ULTRAVIOLET RADIATION</p>														

Sheet for inquiry

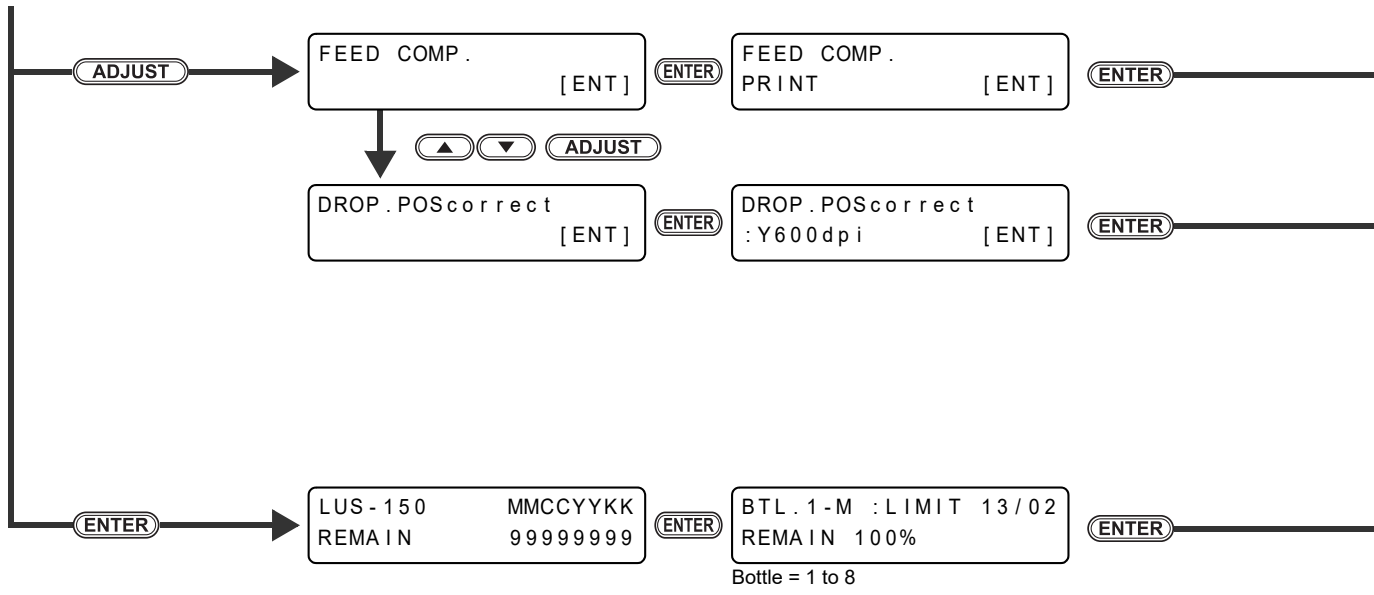
Use this sheet for troubles and abnormal functions of the machine.
Fill in the following necessary items, and then fax the sheet to our sales office.

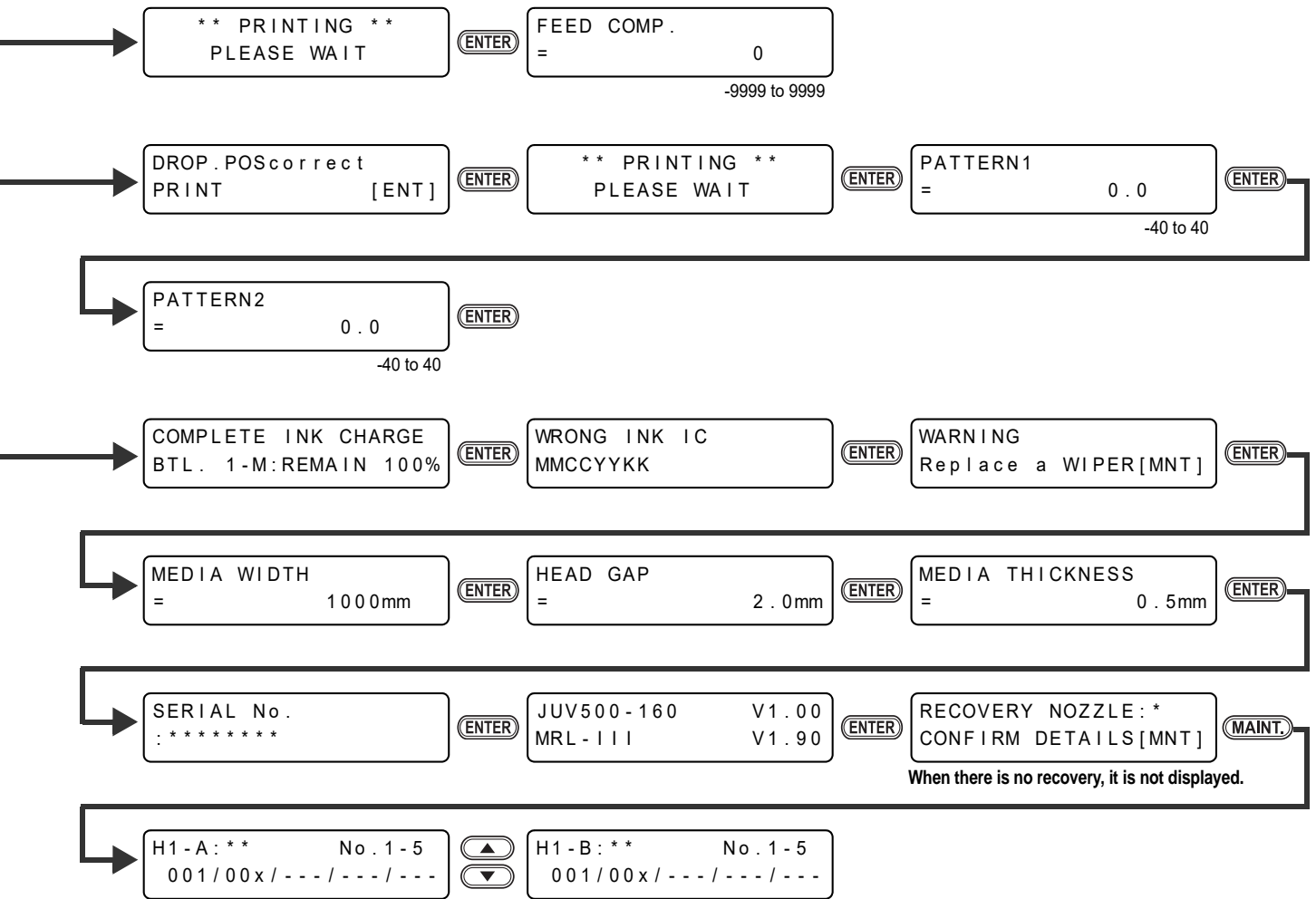
Company name	
Person in charge	
Telephone number	
machine model	
Operating OS	
Machine information *1	
Error message	
Contents of inquiry	

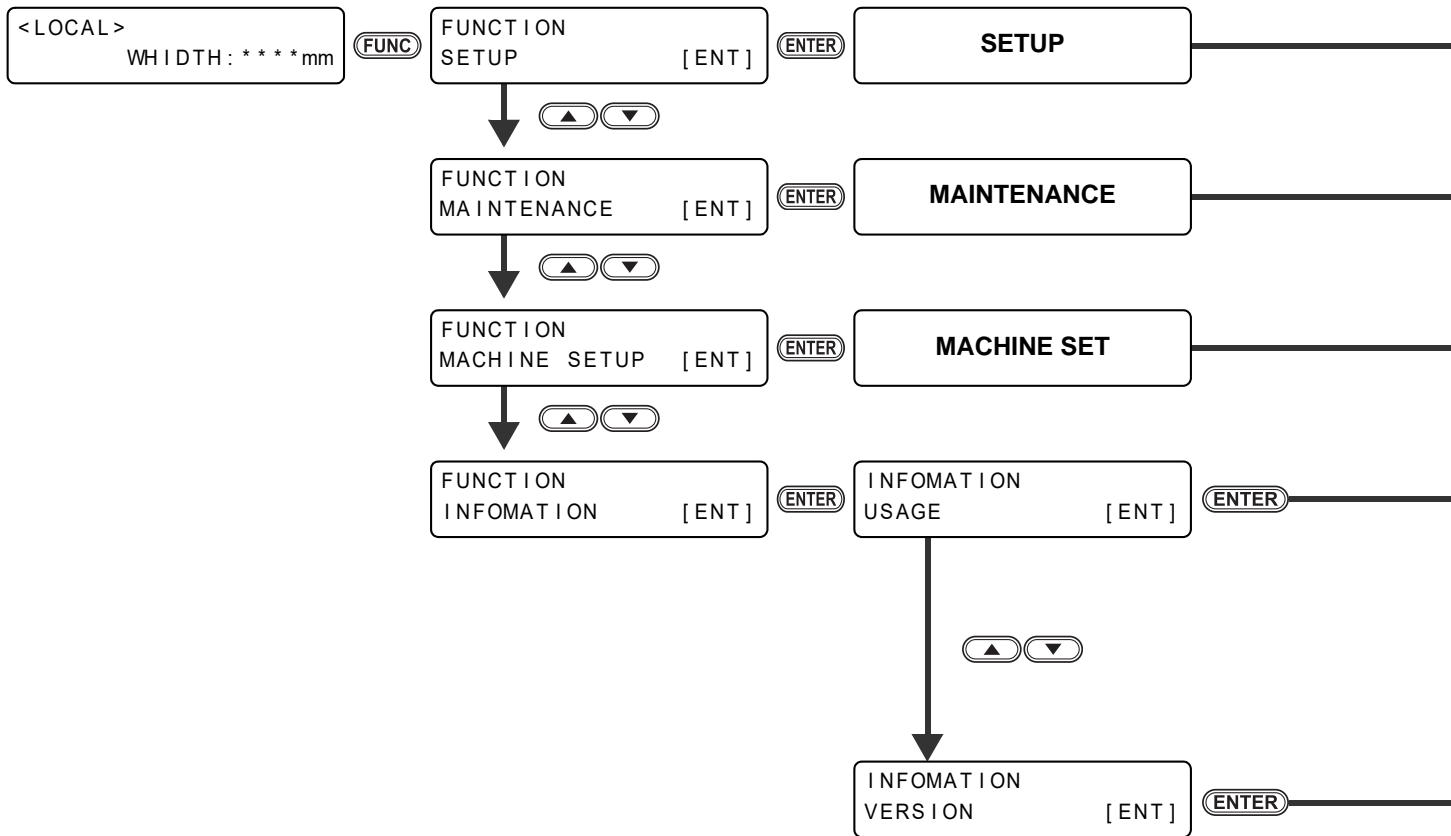
*1. Refer to "Confirming Machine information" of "Convenient using" then fill in necessary information. (☎ P.3-51)

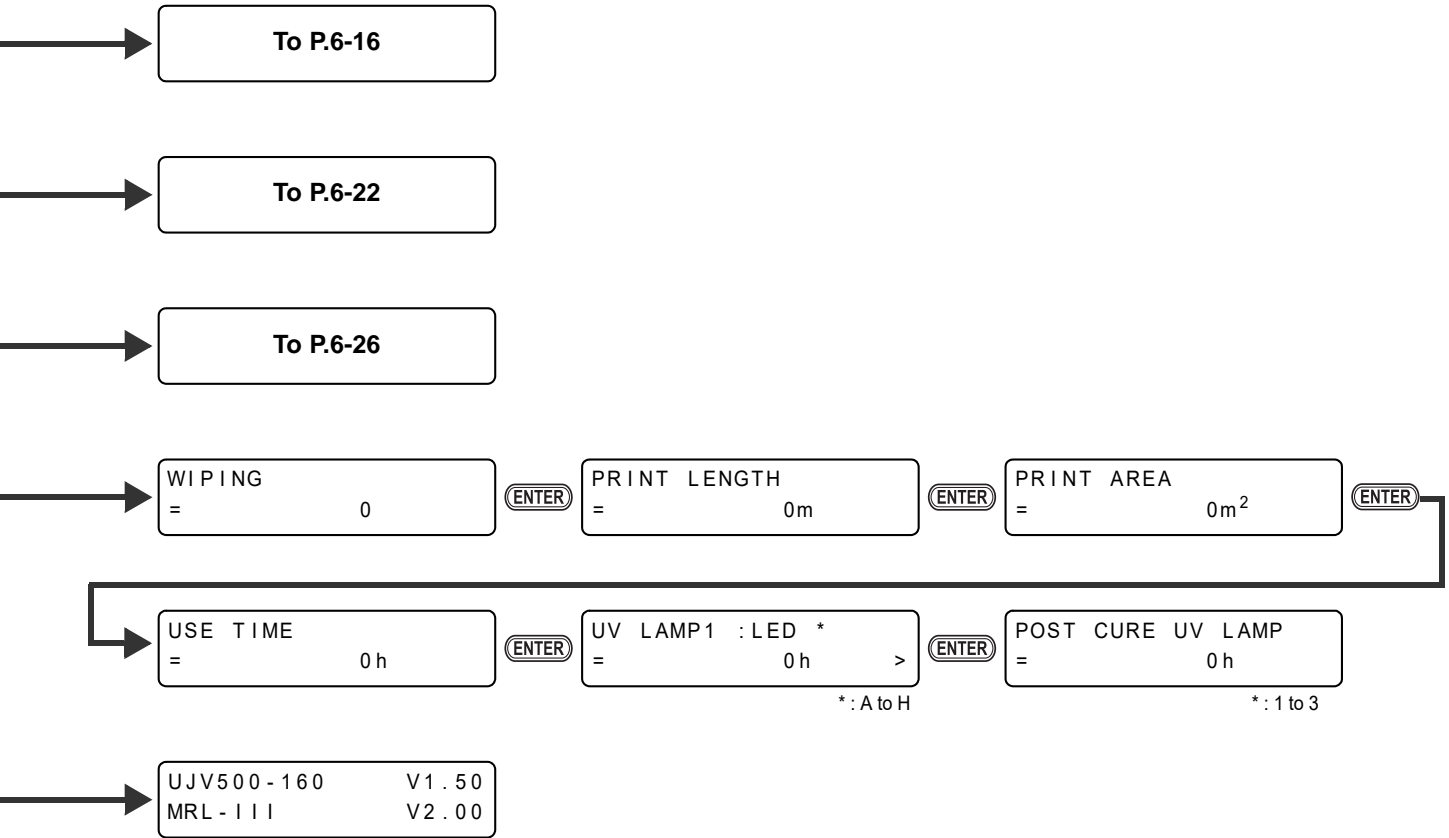


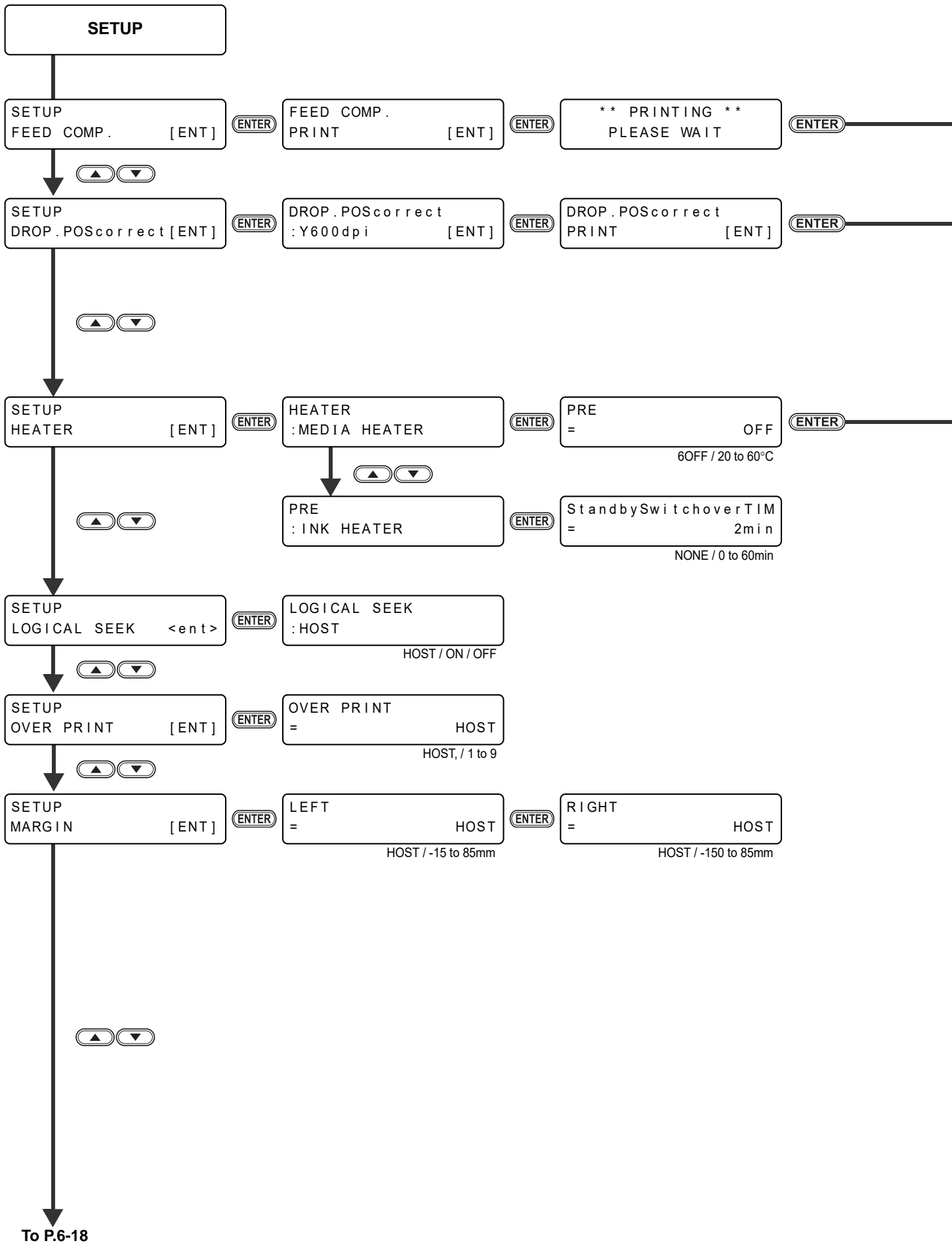
From P.6-10

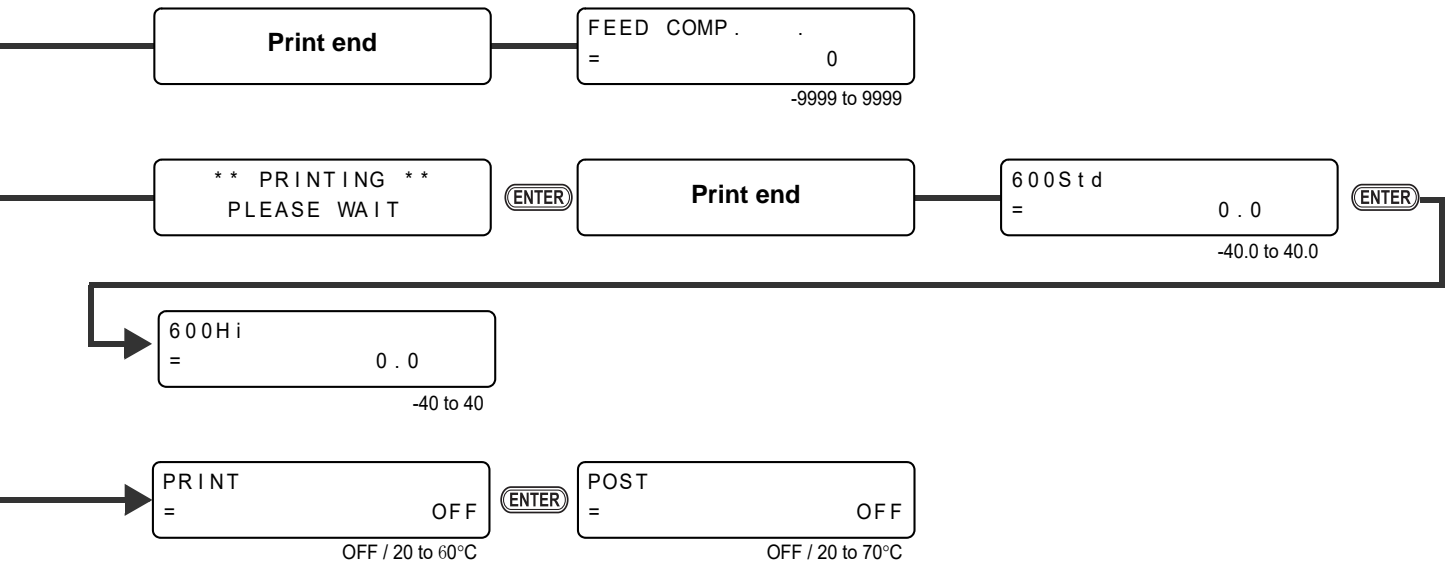




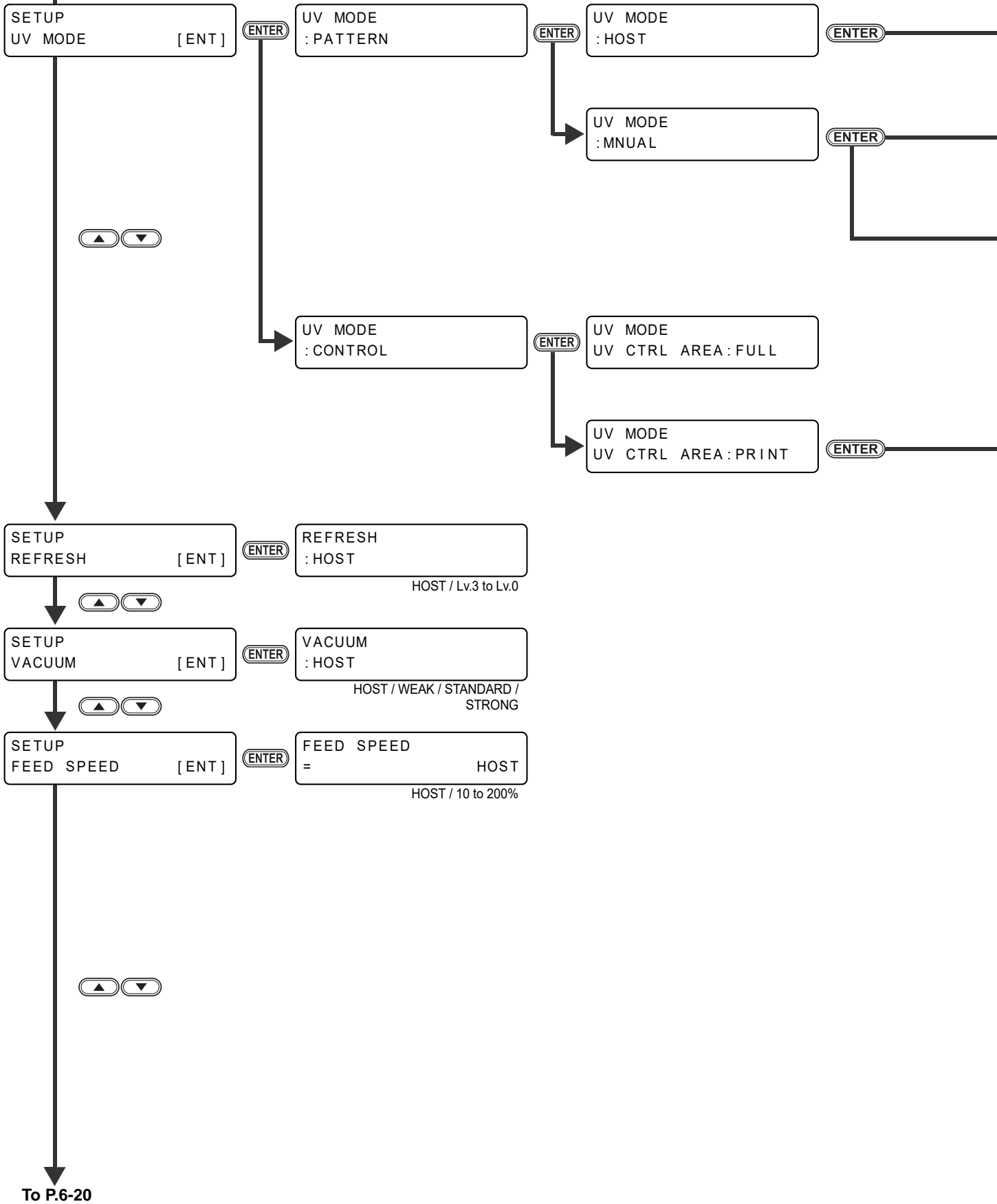


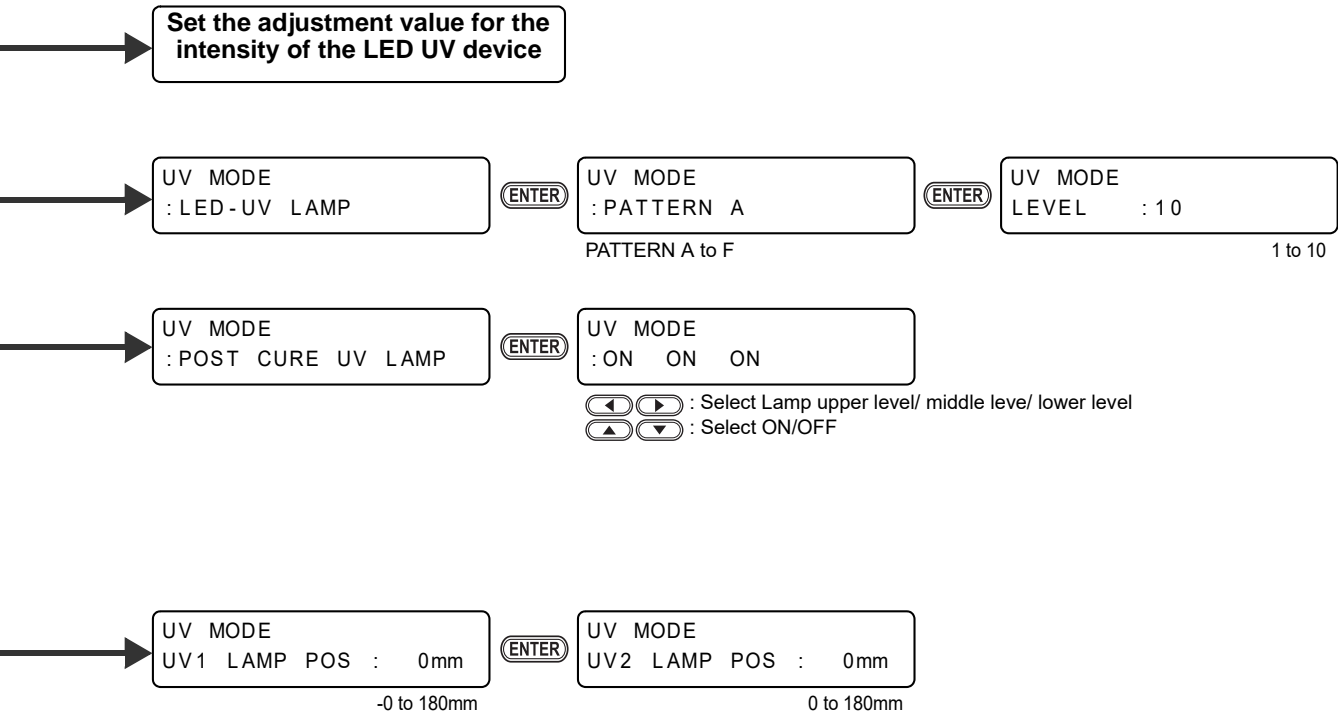




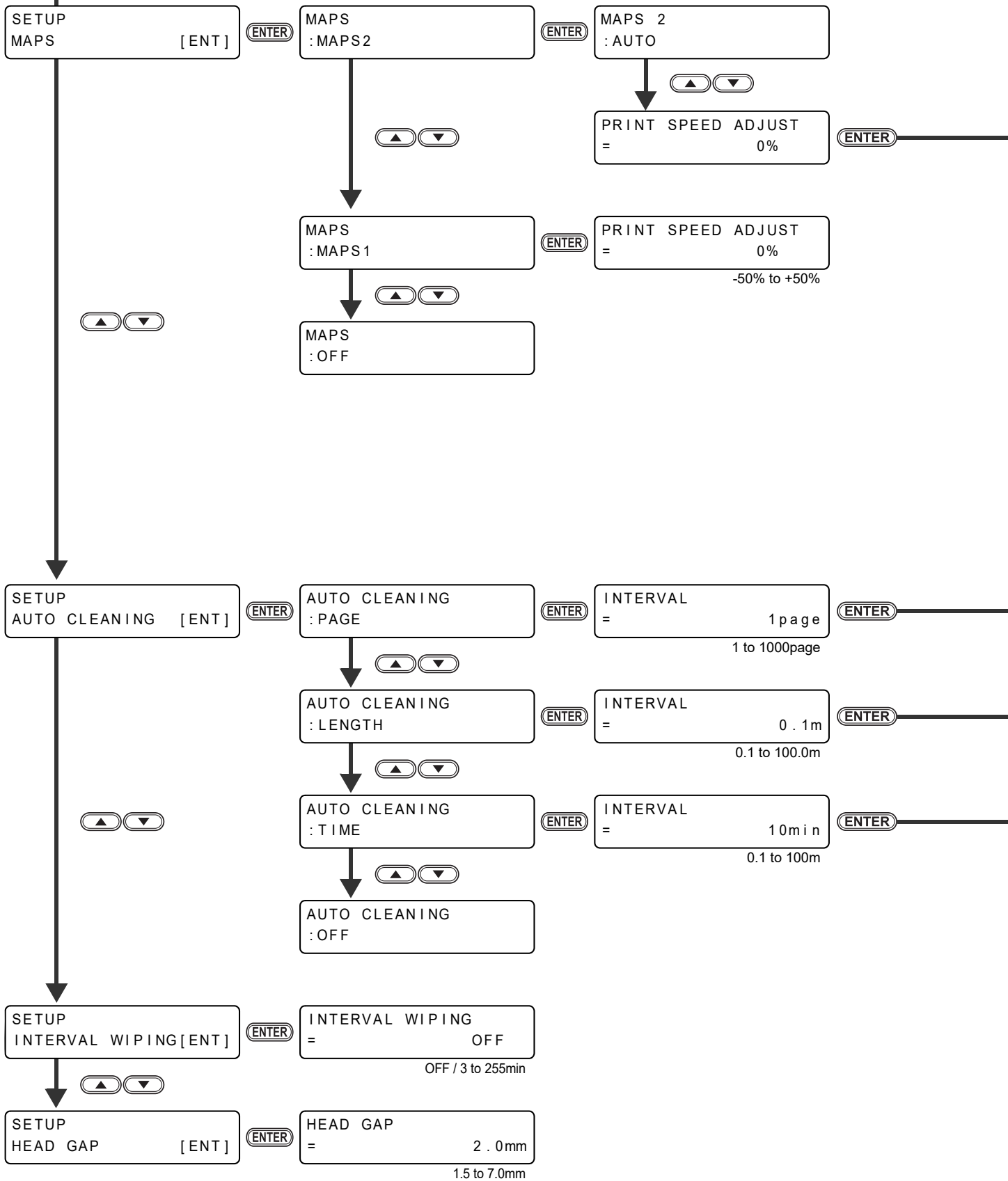


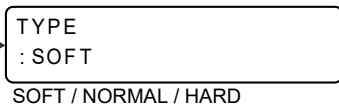
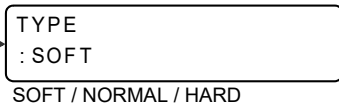
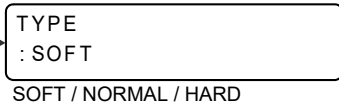
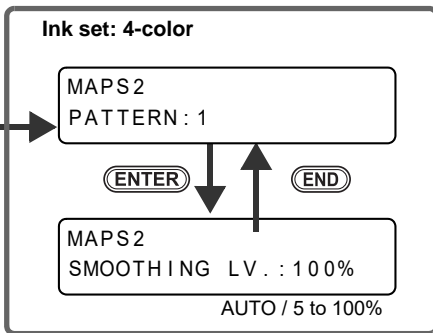
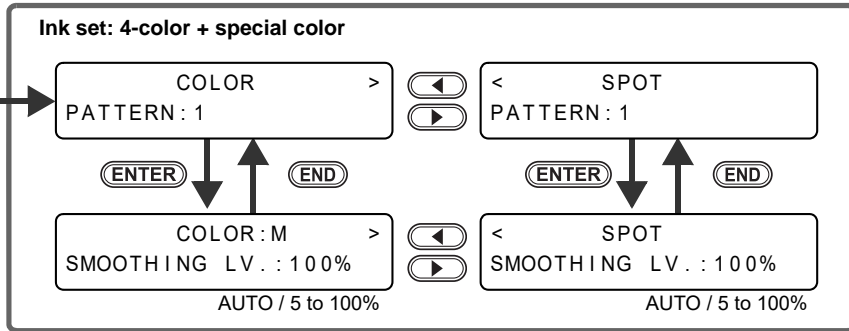
From P.6-16

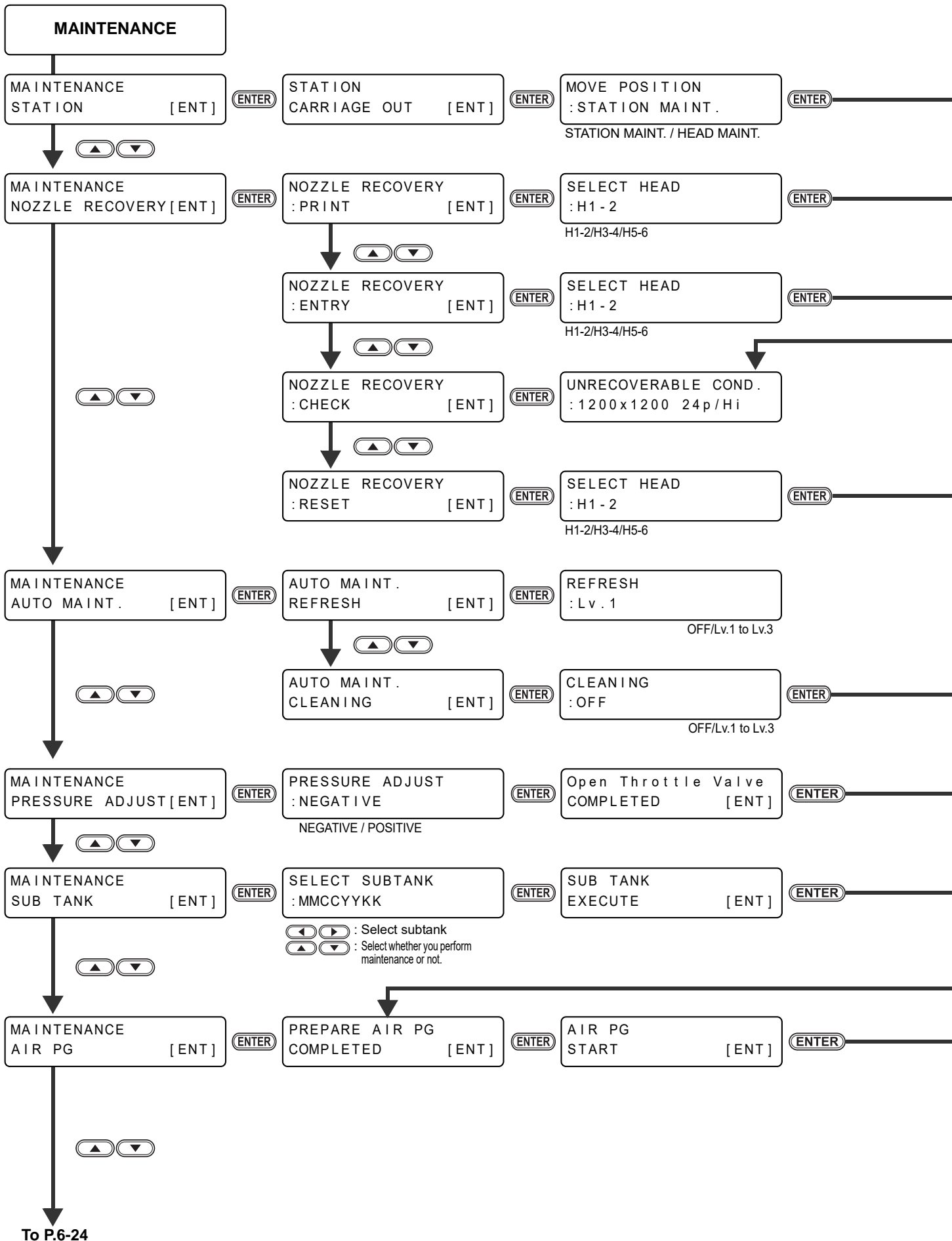


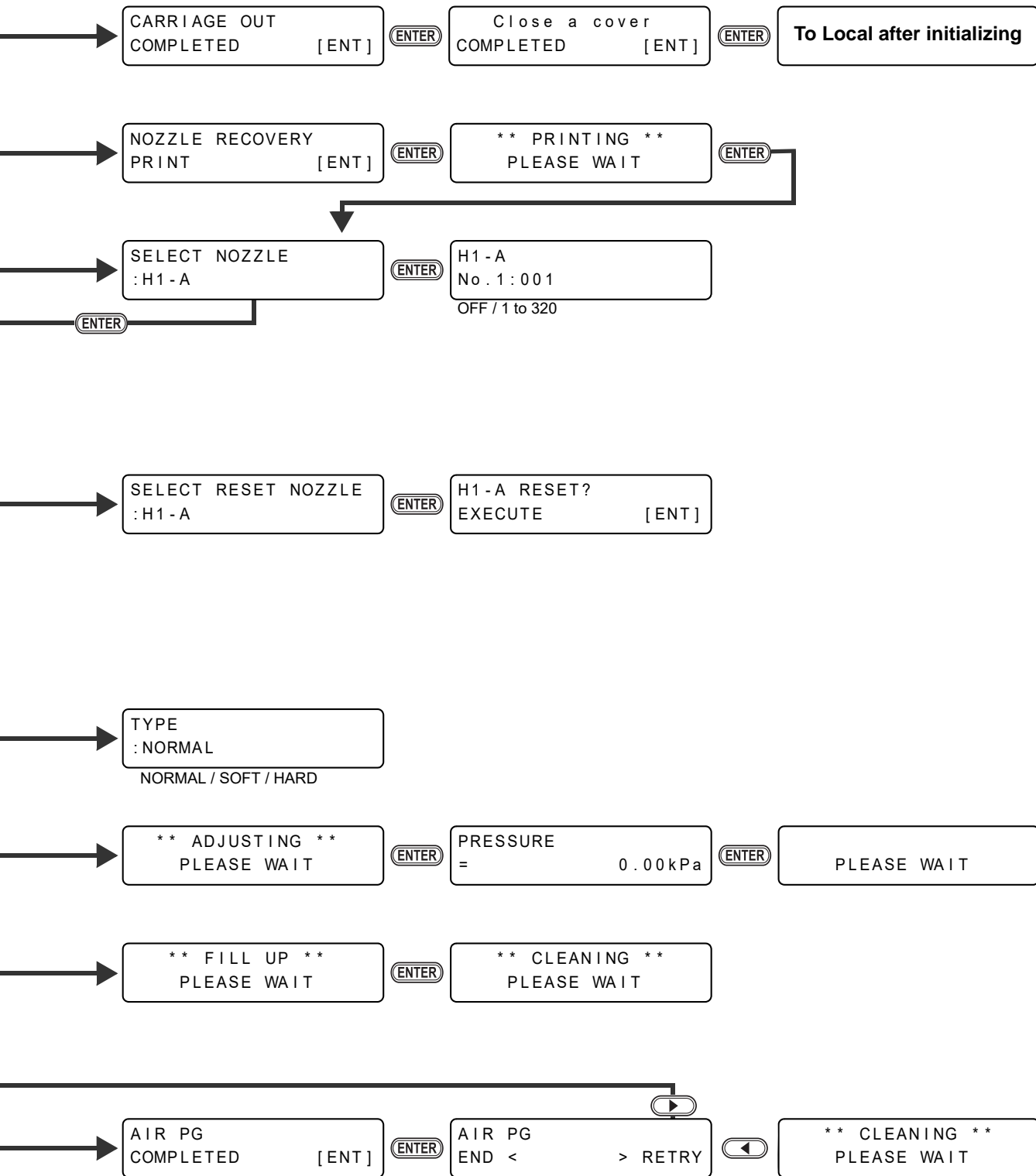


From P.6-18

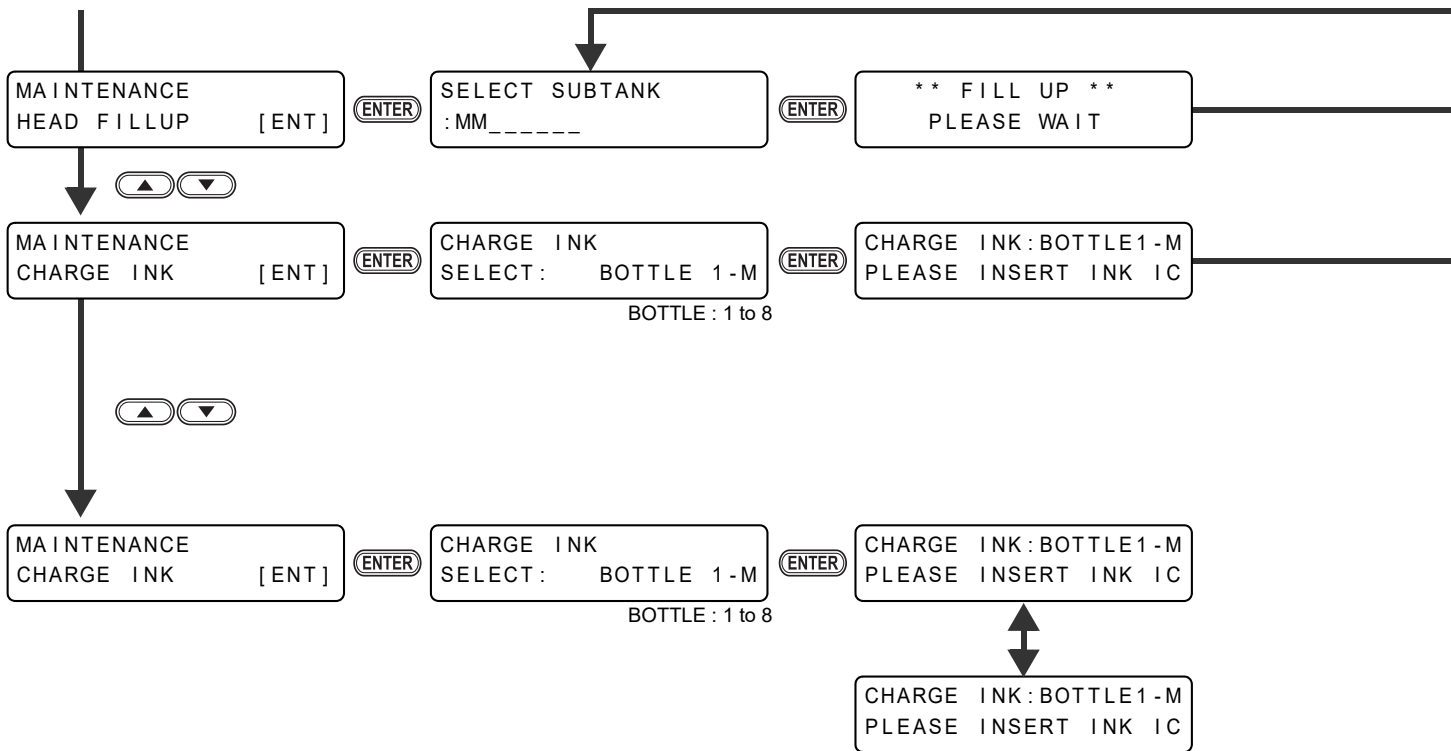


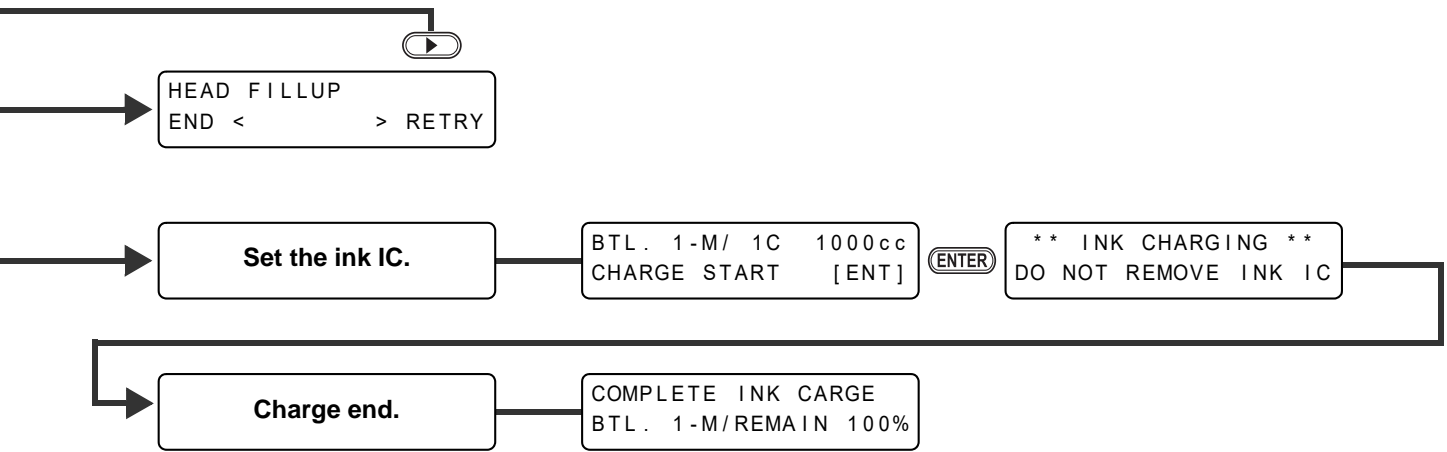


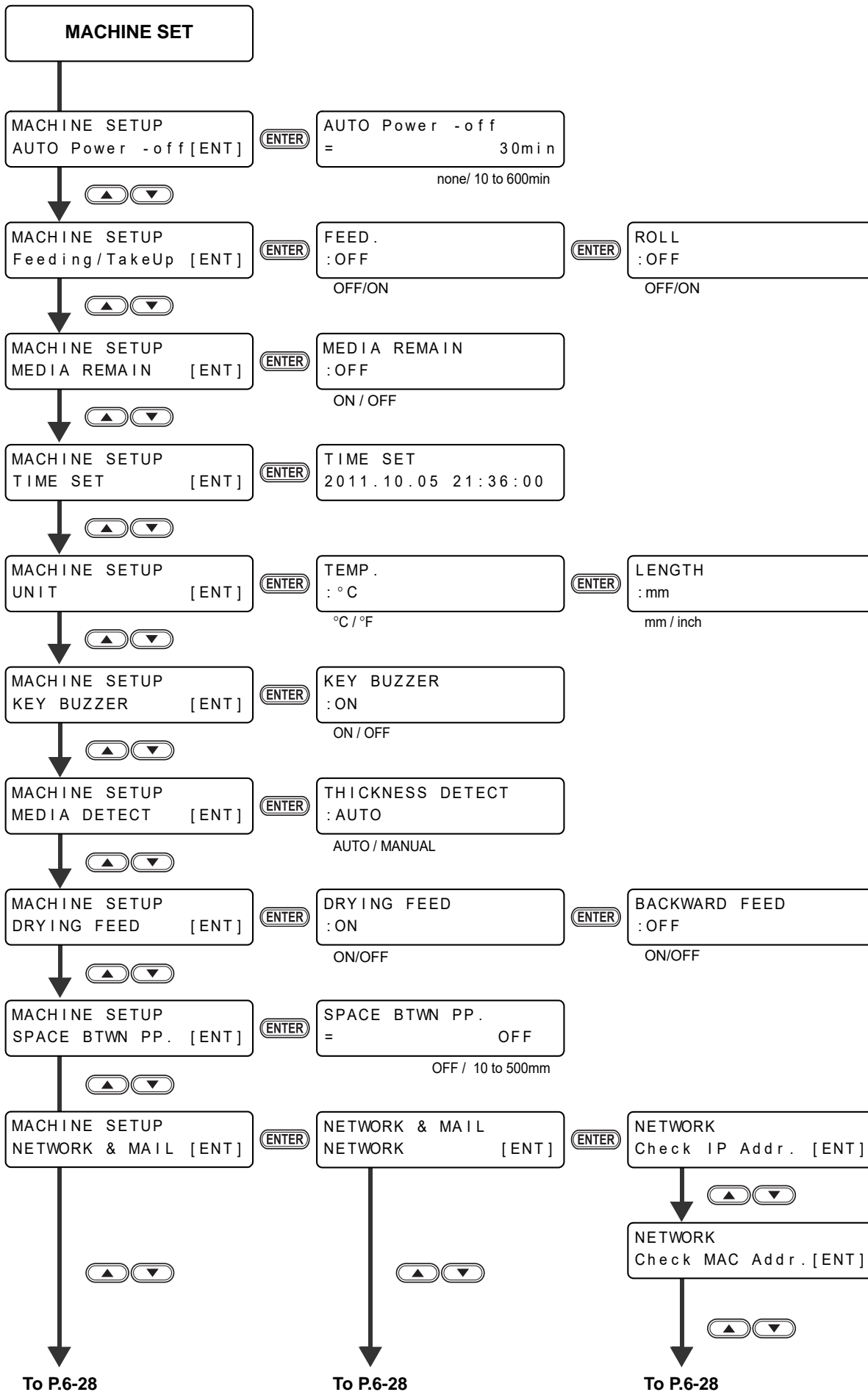


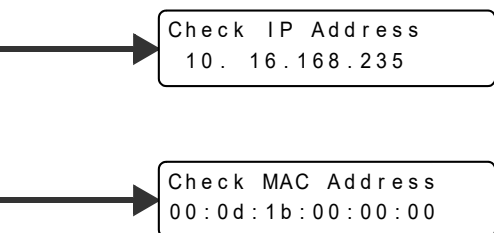


From P.6-22









From P.6-26



To P.6-30

From P.6-26



NETWORK & MAIL
EVENT MAIL [ENT]

ENTER



To P.6-30

From P.6-26

NETWORK
DHCP [ENT]

ENTER



NETWORK
AutoIP [ENT]

ENTER



Settable when [DHCP] and [AutoIP] are both OFF

NETWORK
IP Address [ENT]

ENTER



NETWORK
Default Gateway [ENT]

ENTER



NETWORK
DNS Address [ENT]

ENTER



NETWORK
SubNet Mask [ENT]

ENTER

EVENT MAIL
Mail Delivery [ENT]

ENTER



EVENT MAIL
Select Event [ENT]

ENTER



EVENT MAIL
Mail Address [ENT]

ENTER

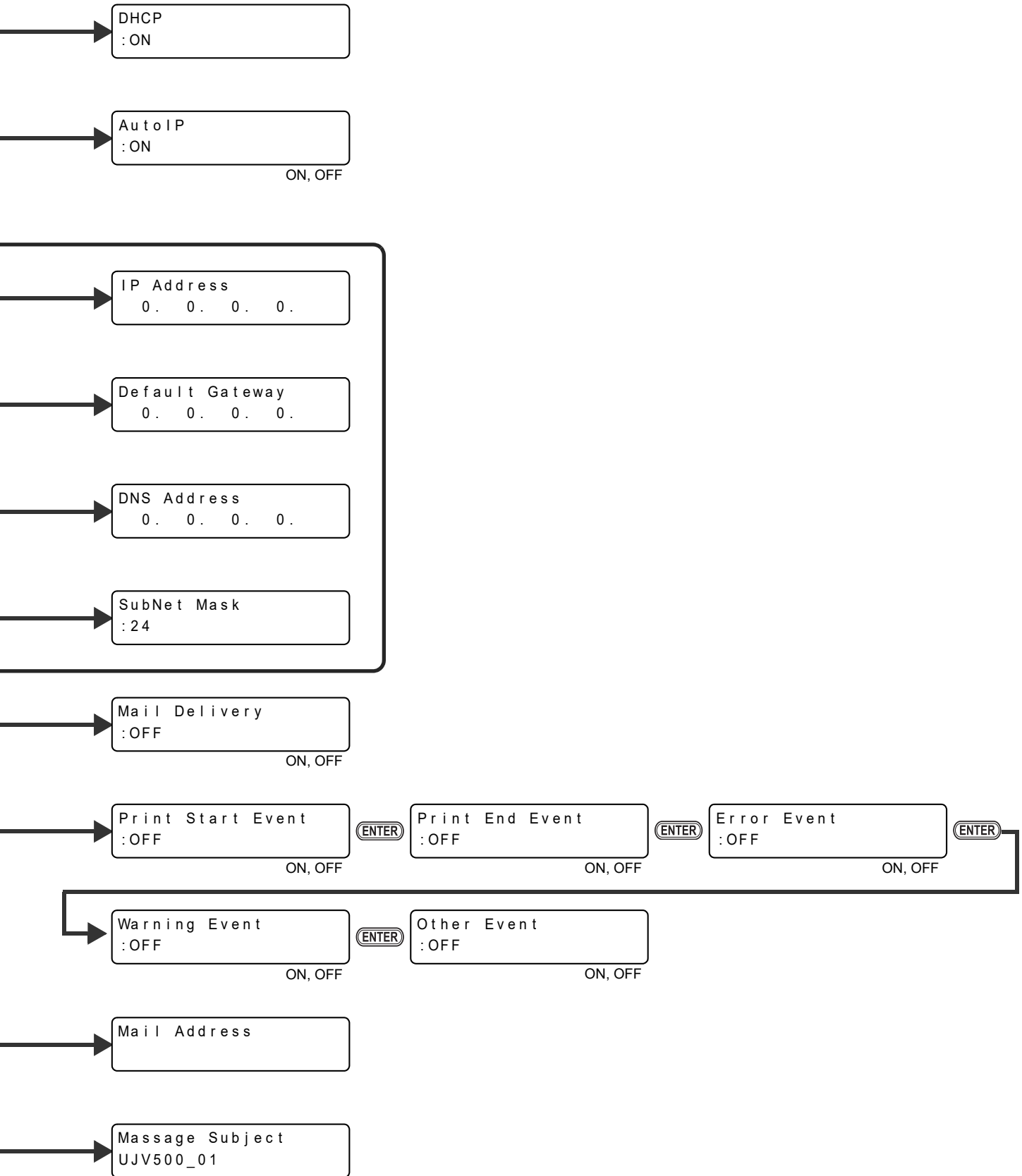


EVENT MAIL
Message Subject [ENT]

ENTER



To P.6-30



From P.6-28



MACHINE SETUP
LANGUAGE [ENT]



MACHINE SETUP
RESET [ENT]

From P.6-28



NETWORK & MAIL
SETTING LOCK [ENT]

LANGUAGE
: English

English / ニホンゴ / Deutsch / Français /
Español / Italiano / Português

RESET ALL SETTING
OK? [ENT]

From P.6-28



EVENT MAIL
Server Setup [ENT]



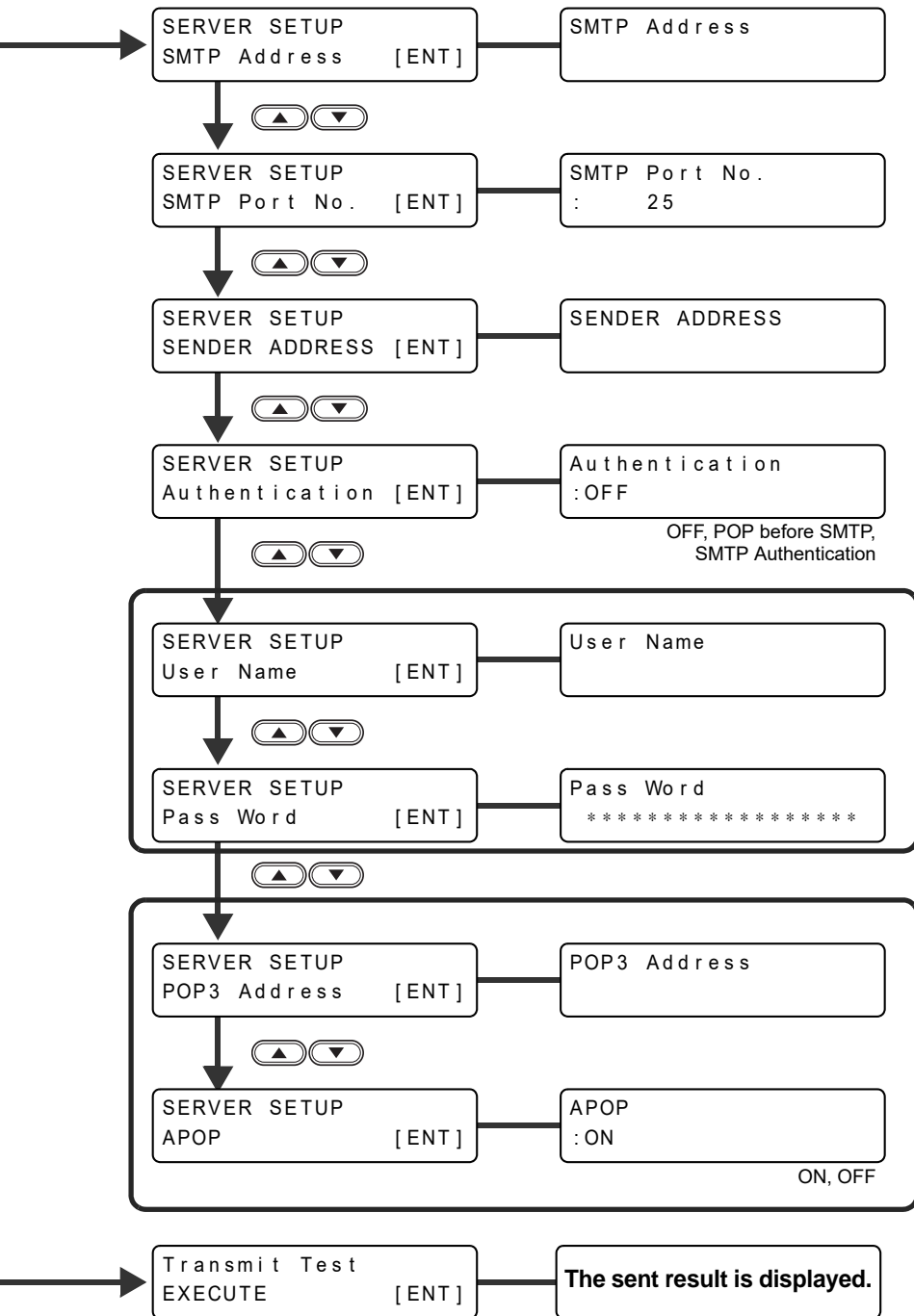
EVENT MAIL
Transmit Test [ENT]



SETTING LOCK
LOCK : 0000

RESET
EXECUTE [ENT]





OFF, POP before SMTP,
SMTP Authentication

When [Authentication] is [POP before SMTP] [SMTP Authentication], it is displayed.

[Only when [Authentication] is [POP before SMTP], it is displayed.

Settings are initialized

UJV500-160 Operation Manual

December, 2020

MIMAKI ENGINEERING CO.,LTD.

2182-3 Shigeno-otsu, Tomi-shi, Nagano 389-0512 JAPAN

D202486-18-03122020

