

OPT-J0477, OPT-J0478, OPT-J0479
 Transportation unit
 搬送ユニット

OPERATION MANUAL
取扱説明書

English

Foreword	2
Safety Precautions	3
Warning labels	5
Name of Each Part	6
Combination of optional units	8
Set media	11
How to attach media edge guide	22
Specifications	28

Japanese

はじめに	30
安全にお使いいただくために	31
警告ラベルについて	33
各部の名称	34
オプションユニットの組み合わせ	36
メディアをセットする	39
端面ガイドを取り付ける	50
仕様	56

MIMAKI ENGINEERING CO., LTD.

<https://mimaki.com/>
<https://japan.mimaki.com/>

Foreword

Congratulations on your purchase of the transportation unit.

This operation manual

- This manual explains the operation of the transportation unit.
- Please read and fully understand this operation manual before using the printer. It is also necessary to keep this operation manual on hand.
- Make arrangements to deliver this operation manual to the person in charge of the operation of the transportation unit.
- Although this operation manual has been carefully prepared for your easy understanding, please do not hesitate to contact your local distributor if you have any inquiry.
- The contents of this operation manual are subject to change for improvement without notice. Please note.
- If this manual should become illegible due to damage, or is destroyed due to fire or similar reason, purchase another copy of the operation manual at our sales office.

CAUTION

THIS LIMITED WARRANTY OF MIMAKI SHALL BE THE SOLE AND EXCLUSIVE WARRANTY AND IS IN LIEU OF ALL OTHER WARRANTIES, EXPRESS OR IMPLIED, INCLUDING, BUT NOT LIMITED TO, ANY IMPLIED WARRANTY OF MERCHANTABILITY OR FITNESS, AND MIMAKI NEITHER ASSUMES NOR AUTHORIZES DEALERS TO ASSUME FOR IT ANY OTHER OBLIGATION OR LIABILITY, OR MAKE ANY OTHER WARRANTY, OR MAKE ANY OTHER WARRANTY IN CONNECTION WITH ANY PRODUCT WITHOUT MIMAKI'S PRIOR WRITTEN CONSENT.
THE SAME SHALL APPLY WHEN MIMAKI WAS ADVISED OF THE POSSIBILITY OF SUCH DAMAGES.









IN NO EVENT SHALL MIMAKI BE LIABLE FOR SPECIAL, INCIDENTAL OR CONSEQUENTIAL DAMAGES, OR FOR LOSS OF PROFITS OF DEALER OR CUSTOMERS OF ANY PRODUCT.

Safety Precautions




Symbols

In this document, symbols are used for explaining the contents of cautions on operation. The symbol to be displayed differs depending on the caution content. Understand the meaning of each symbol and use this machine safely and correctly.






Examples of Symbols

Meaning		
	WARNING	Failure to observe the instructions given with this symbol can result in death or serious injuries to personnel. Be sure to read it carefully and use the printer properly.
	CAUTION	Failure to observe the instructions given with this symbol can result in minor or medium injuries to personnel.
	GENERAL WARNING	This symbol indicates that the items shown need to be noted. Specific notes are drawn in the figure.
	GENERAL MANDATORY ACTION	This symbol indicates that the action shown must be executed. Specific instruction is shown in the illustration.
	GENERAL PROHIBITION	This symbol indicates that the action shown is prohibited. Specific action that is prohibited is shown in the illustration.
	IMPORTANT	Important notes for the use of this unit are given with this symbol. Refer to the operation.
	HINT	Useful information is given with this symbol. Refer to the operation.
	REFERENCE	This symbol indicates the reference page for related contents. Click the text to display the corresponding page.





Cautions on Installation

 Caution	
Do not install in the following locations	
 <ul style="list-style-type: none"> A location exposed to direct sunlight. On an inclined surface. A location that vibrates. A location exposed to a direct air flow from an air conditioner, etc. Around a location where fire is used. 	 <ul style="list-style-type: none"> A location where the temperature or humidity changes significantly. (The recommended usage environment differs depending on the connected printer. Confirm by referring to the operation manual of the printer)

Warning for Use

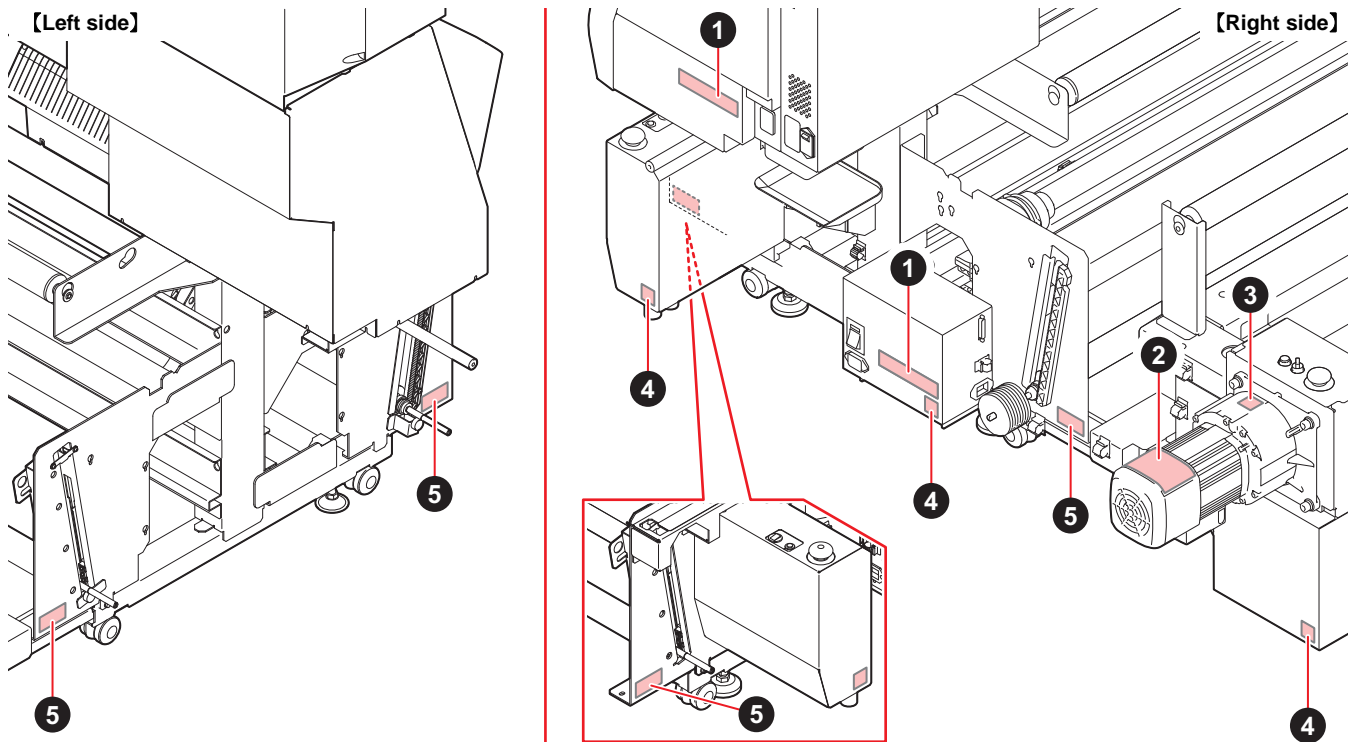
 Warning	
	<ul style="list-style-type: none"> • The set of power cables provided with this machine is for use with this machine only, and cannot be used with other electrical devices. Do not use any power cables other than the ones provided with the machine. Otherwise, it causes a fire and the electric shock. • Take care not to damage, break or work upon the power cable. If a heavy material is placed on the power cable, or if it is heated or pulled, the power cable can break, thus resulting in fire or electric shocks. • Use of the machine under an abnormal condition where it produces smoke or strange smell can result in fire or electric shocks. If such an abnormality is found, be sure to turn off the power switch immediately and unplug the cable from the wall outlet. Check first that the machine no longer produces smoke, and then contact your distributor or a sales office of MIMAKI for repair. Never repair your machine by yourself since it is very dangerous for you to do so. • Take care that no dust or dirt sticks to surface heaters. Dust sticking heaters can cause fire. • Do not use extension cords. Otherwise, it causes a fire and the electric shock. • Keep the power plug prong clear of any foreign object such as a piece of metal. Failure to do so may result in a fire or electric shocks. • Do not plug too many leads into a single socket. Otherwise, it causes a fire and the electric shock. • If the power cord is damaged, exposed core wire, disconnection, etc., contact your service representative for replacement. If used as it is, it may cause fire or electric shock. • Do not handle the power plug with wet hands. Doing so may result in electric shocks. • Grasp by holding the plug itself when removing the power plug from wall outlet, and never hold by the cord. Holding and pulling the cord may damage the cord, leading to fire or electric shocks. • Don't use the machine with the voltage other than the indicated one. Otherwise, it causes a fire and the electric shock. • Don't use the machine with the power frequency other than the indicated one. Otherwise, it causes a fire and the electric shock. • Do not place your fingers or other parts of your body close to the dangerous moving parts. • If a foreign object such as a small piece of metal or a liquid such as water gets inside the machine, turn off the machine. After that, be sure to unplug the power plug from the outlet and consult your service representative. If used as it is, it may cause fire or electric shock. • In case of ink leakage, turn off the main power, unplug the power plug and contact your local distributor, our sales office, or service center. • When moving the machine, contact our dealer or service representative. • Do not use this machine in an area where children might be present.
	<ul style="list-style-type: none"> • Don't use the combustible spray or flammable solvent nearby or inside of this machine. Otherwise, it causes a fire and the electric shock. • Don't put a vase, flowerpot, glass, cosmetics, medicine, container which water was in, or small metal thing in the top and near this machine. When some spills over or enters inside of the machine, it causes a fire and the electric shock.
Prohibition of disassembly or modification	
	<ul style="list-style-type: none"> • Never disassemble or modify the product. Doing so may result in electric shocks or product breakdown.
Prohibition of use in a damp environment	
	<ul style="list-style-type: none"> • Avoid placing the product in a damp environment. Don't splash water onto the product. Otherwise, fire, electric shocks, or product breakdown may result.

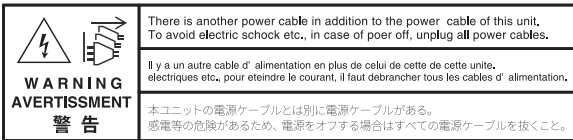




Precautions

 Caution	
Power supply	
	<ul style="list-style-type: none"> • Keep the breaker turned on at all times. • Do not turn off the main power switch on the right side of this machine.
Handling of the power cable	
	<ul style="list-style-type: none"> • Connect to a polarized outlet. • Be sure to connect it to a power outlet located near this unit so that it can be easily removed. • Remove the power plug from the wall outlet more than once a year and clean the peripheral parts between the plug blades. Failure to do so may result in fire or electric shocks. • Don't use the machine with the voltage other than the indicated one. • Check the voltage of the wall outlet and the capacity of the circuit breaker before you plug the power cords. Plug each power cord to different outlet that has independent circuit breaker. If you plug more than one power cord to wall outlets that share the same circuit breaker, the power may be cut off by the breaker.
Heater	
	<ul style="list-style-type: none"> • Do not spill liquid on the Media Transfer Surface. This may cause failure of the heater or firing. • Do not touch heaters with bare hand while it is hot. Otherwise, you can get burned.

Warning labels

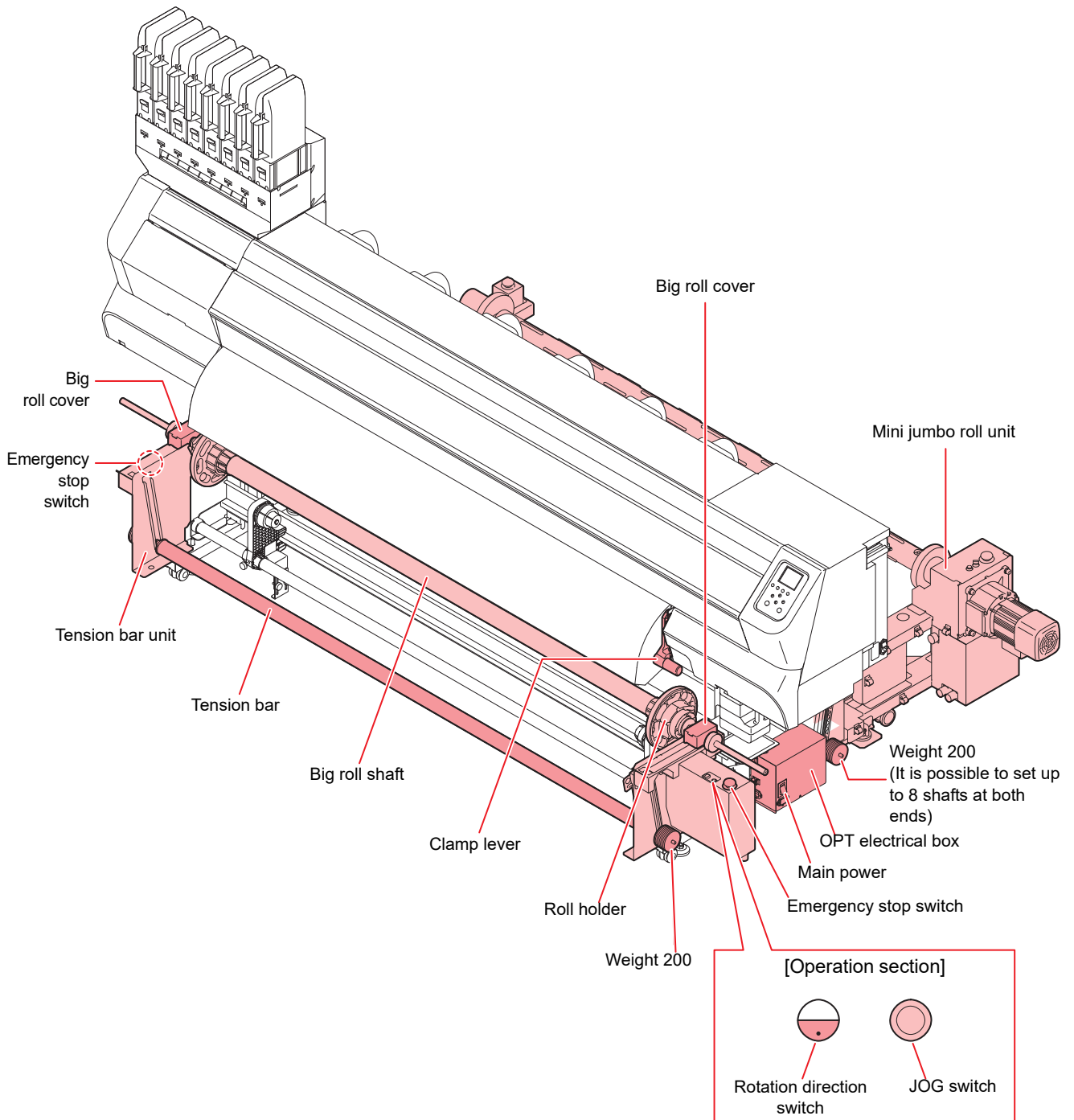
Warning labels are stuck on the machine. Be sure to fully understand the warning given on the labels.
If a warning label is illegible due to stains or has come off, purchase a new one from a distributor or our sales office.



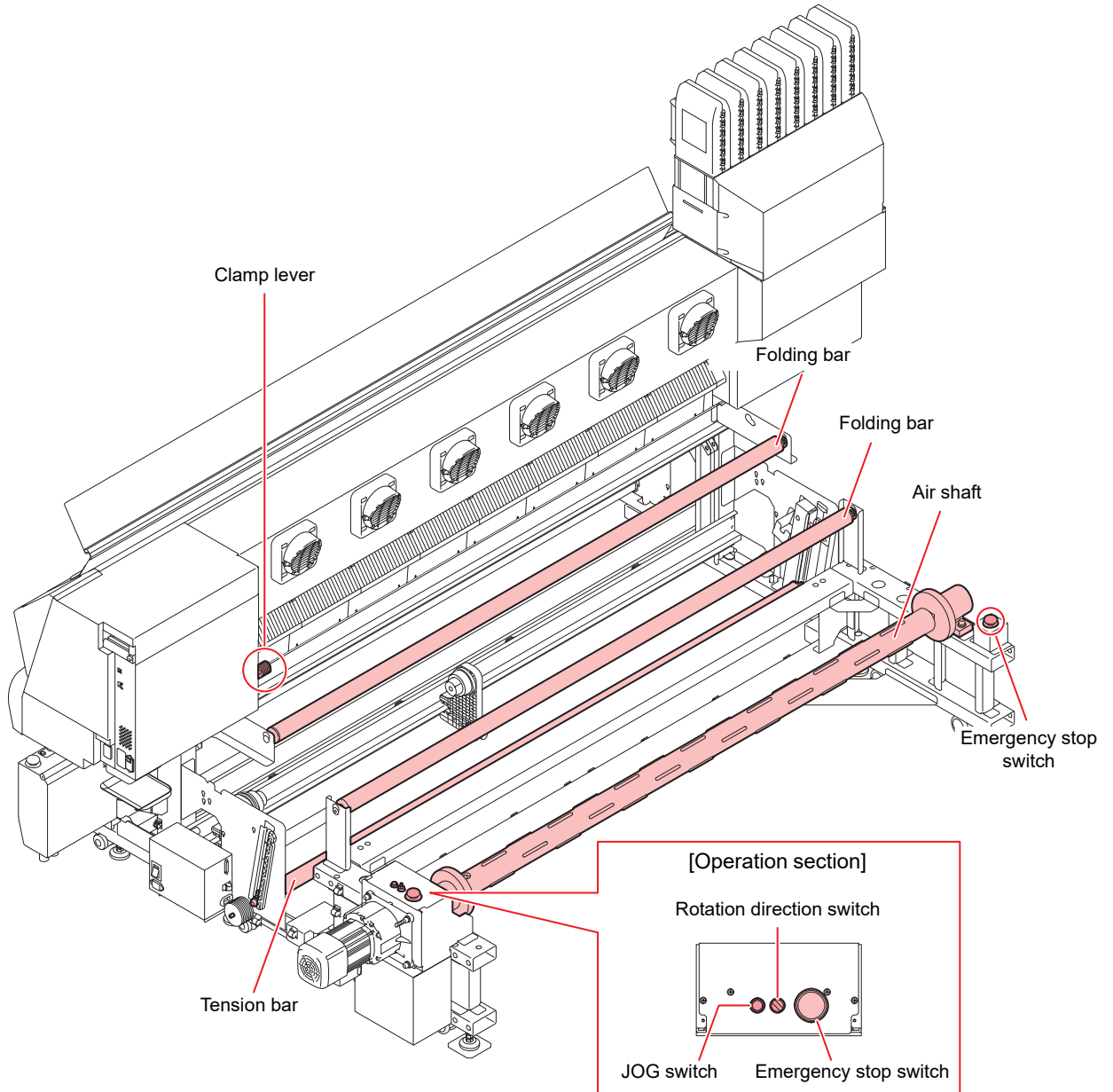
No.	Order No.	Label	Description
1	M916035		Because there is a danger of electric shock etc., when turning off the main power, turn off all power and unplug the cable.
2	M907764		Because there is a possibility of damage, do not ride or put anything.
3	M903239		It is a high temperature part. Do not touch the part.
4	M907935		There is a dangerous voltage inside.
5	M912054		It is a moving part. Because there is a possibility of danger by being caught, keep your fingers or body away from there.

Name of Each Part

Front side

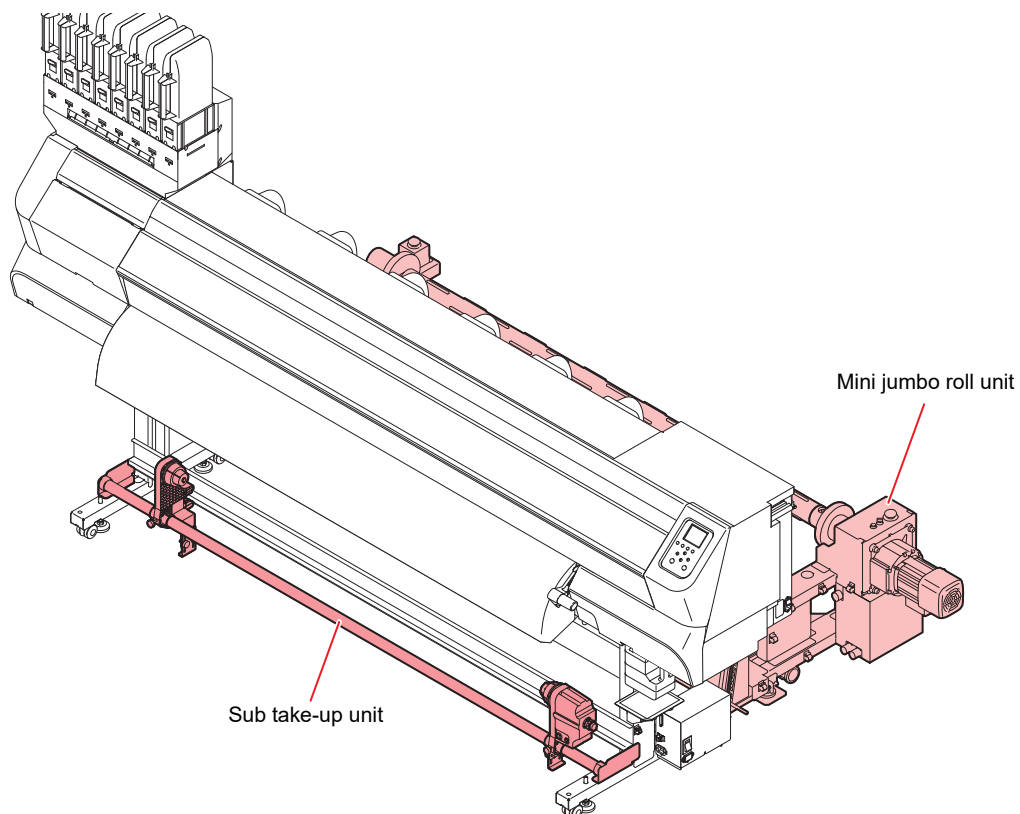


Rear side



Combination of optional units

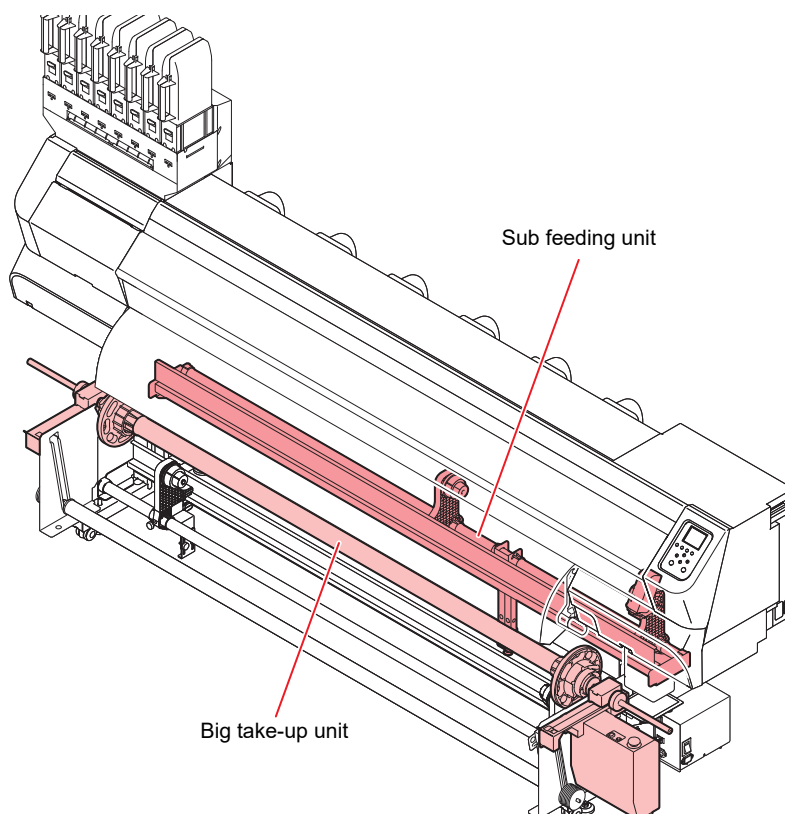
Mini jumbo roll unit and sub take-up unit



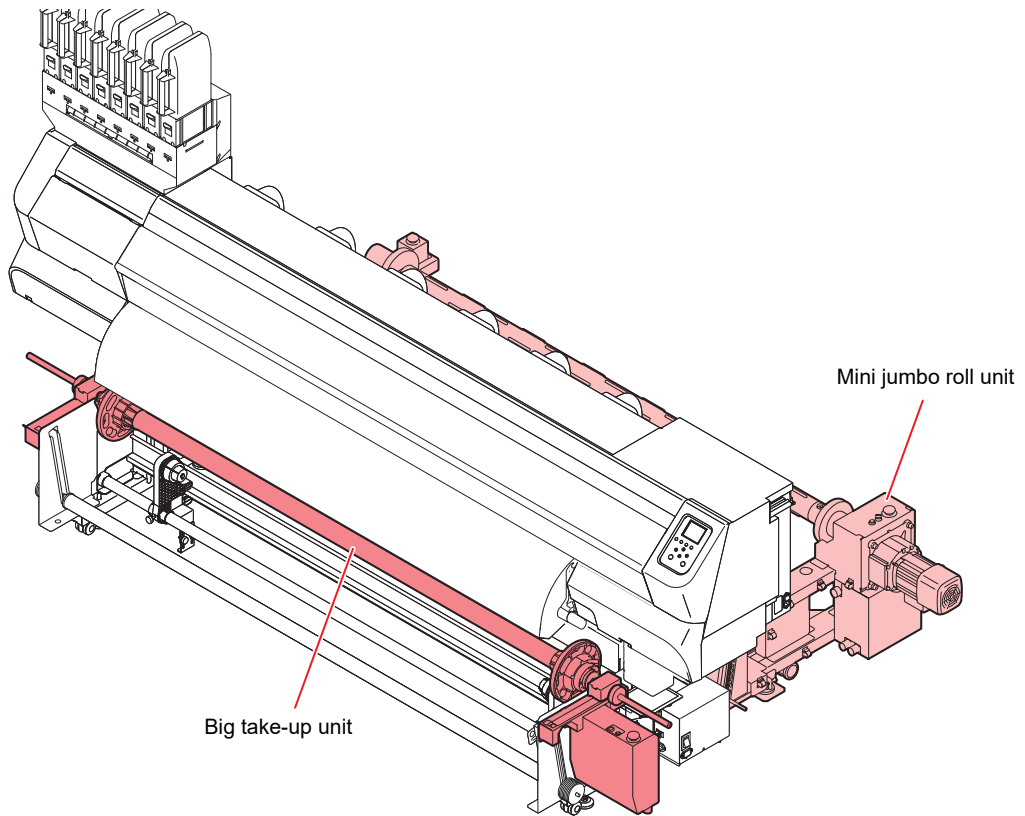
Important!

• For the combination above, weight 200 can not be used for mini jumbo roll unit. Remove it from the tension bar.

Sub feeding unit and big take-up unit



Mini jumbo roll unit and big take-up unit



Select / switch the unit to be used

1 Lower the clamp lever.

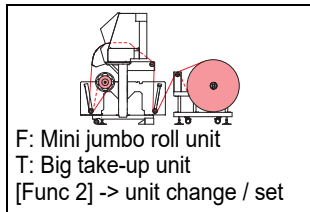
2 In local mode, press the **ENTER** key three times.

- The currently active unit is displayed.

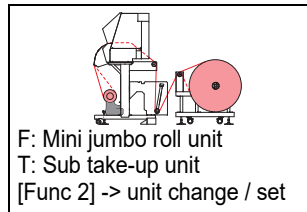
< Display screen >

Setting 1		
<< Start media detection		
Post1	Post2	Option
35/35	35/35	60/60
●	●	●
Menu	Cleaning	

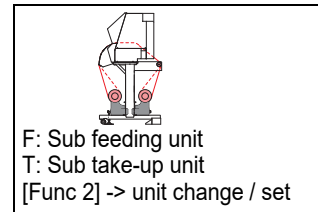
<Display Screen for Each Unit Combination>



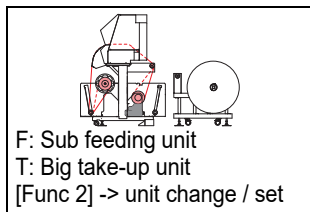
Mini jumbo roll unit x big take-up unit



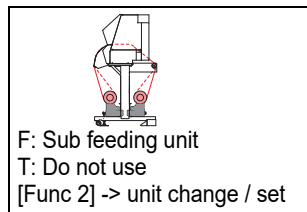
Mini jumbo roll unit x sub take-up unit



Sub feeding unit x sub take-up unit



Sub feeding unit x big take-up unit



Sub feeding unit x unused

3 Press the **FUNC2** key to switch the unit to be used.

- (1) Select the unit to be used on the feeding side.

Unit change / set
Use on the feeding side
Select a unit
Mini jumbo roll unit
Sub feeding unit

- (2) Select the unit to be used on the take-up side.



- Execute the setup sequence only when necessary.

Unit change / set
Use on the take-up side
Select a unit
Big take-up unit
Sub take-up unit
Do not use

- When using the tension bar only on the feeding side, remove all weight 200's on the feeding side.



Set media

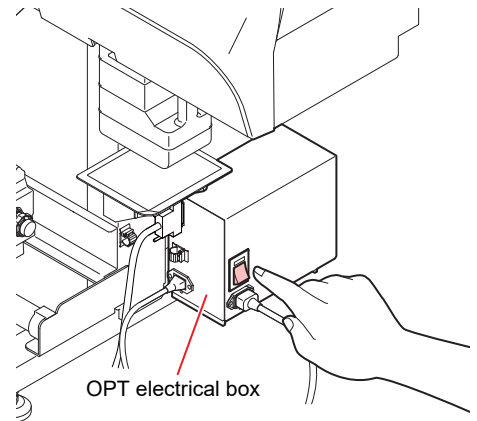


- To set roll media, work with three or more people.
- Use a media lifter with a load capacity of 315 kg or more for the roll media set.

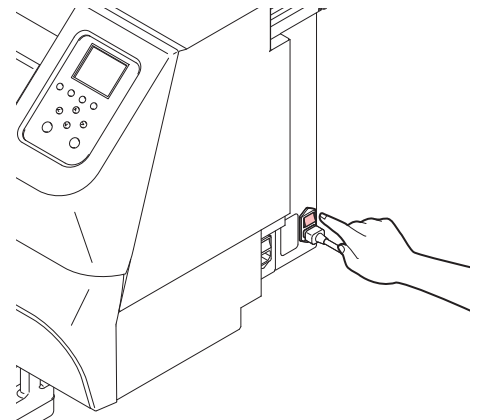
Important!

- An air compressor is required for the roll media set. (Discharge pressure 0.5 MPa recommended)

1 Turn on the power switch of OPT electrical box.



2 Turn on the main power switch of the printer.



3 Press the [POWER BUTTON] on the operation panel.

- From the [Transport unit selection] screen, select the transport unit to be used.

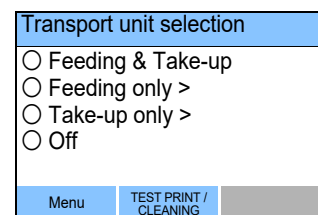
When using mini jumbo roll unit and big take-up unit	Feeding & Take-up
When using only mini jumbo roll unit	Feeding only
When using only the big take-up unit	Take-up only
When neither is used	Off

- Alternatively, press the **ENTER** key three times from the local screen and change the unit to be used with the **FUNC2** key.



- When using an extended heater, turn off the power of extended heater, or lower its temperature. If the temperature of the extended heater is high, media may be wrinkled or left and right difference may occur, affecting the media set.

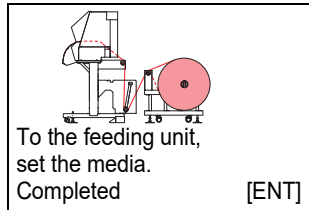
< Display screen >



4 Set the media on the air shaft.

- (1) Rotate the air shaft with the [FUNC2] key to make the air shaft insertion port upward.

< Display screen >



- When the media is set on the machine itself, the [FUNC 2] key is invalid.

- (2) Tilt the shaft fixing.



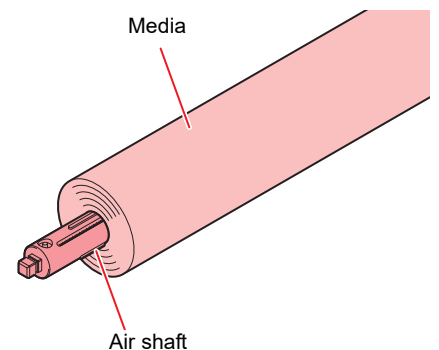
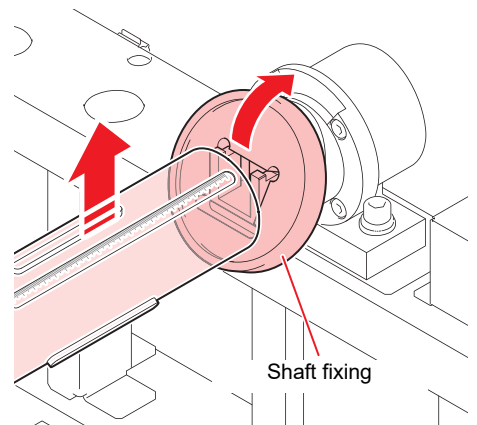
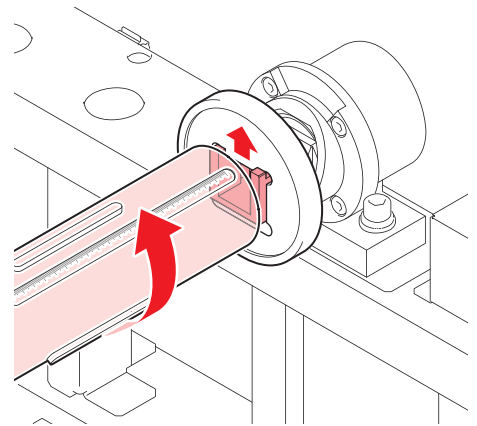
- Before tilting the shaft fixing, always make sure that the air shaft insertion port faces upward.



- When the power is off, the shaft will not rotate.
- Be careful not to pinch your hands and fingers when applying force when moving the shaft fixing.
- The shaft fixing is set heavier for safety reason. Use plastic hammer etc. when it is difficult to move.

- (3) Remove the air shaft.

- (4) Pass the air shaft through the media.

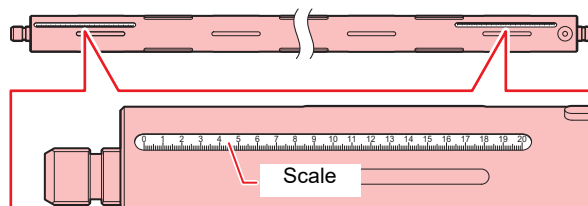


- (5) Adjust the position of the air shaft, fix the media by inserting air into the air shaft with the attached Air Nozzle.



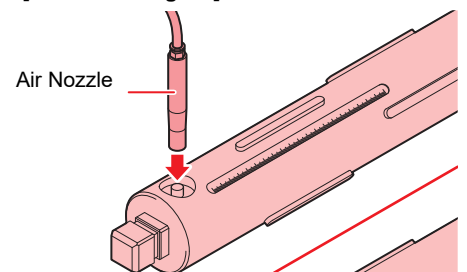
- Set so that the scale on both ends of the air shaft has the same value.

[Set position of media]

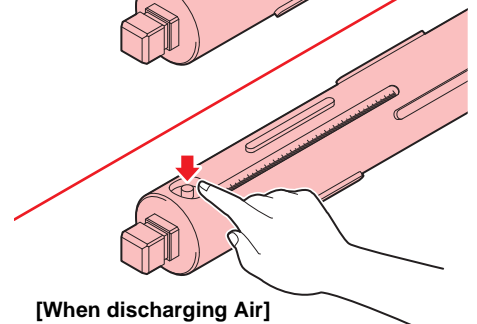


- If the air is insufficient, the media runs idle and transport failure occurs.

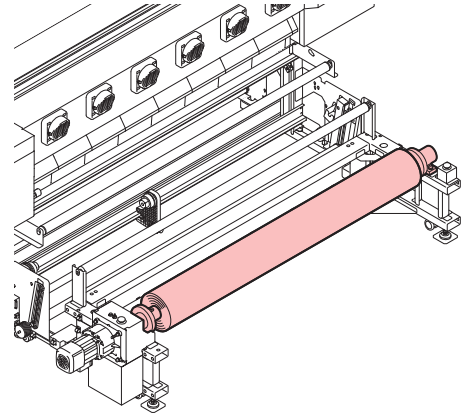
[When entering Air]



[When discharging Air]



(6) Move the media to the shaft fixing position.



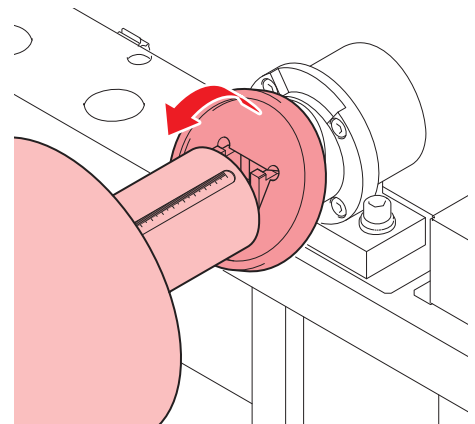
(7) Lower the media and fix the shaft.



- Be sure to fix the shaft securely. Rotating the media without fixing may cause the air shaft to come off and it is dangerous.

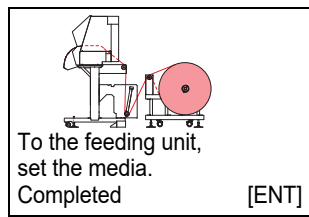


- Be careful not to pinch your hands and fingers when applying force when moving the shaft fixing.
- The shaft fixing is set heavier for safety reason. Use plastic hammer etc. when it is difficult to move.

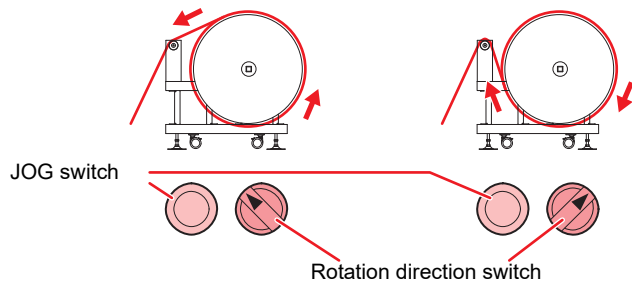


5 Pass media through the printer.

< Display screen >



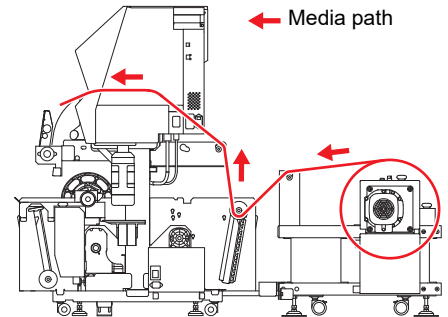
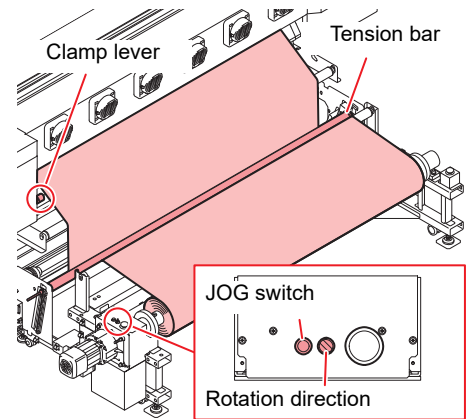
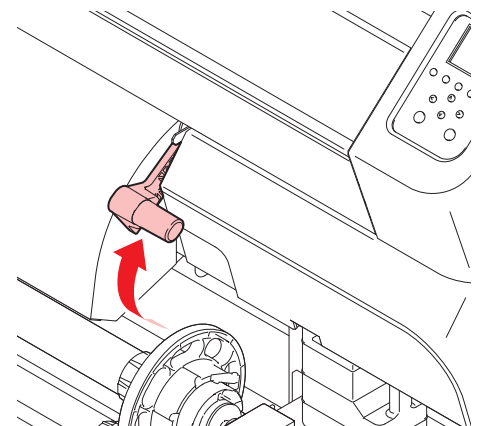
- (1) Rotate the media with the tension bar raised.
 - Feed the media with the JOG switch.
 - Change the direction of rotation with the rotation direction switch.



- If weight 200 is added to the tension bar on the mini jumbo side, remove it when passing the media.

- (2) Raise the clamp lever.
- (3) Pass the media over the platen.
- (4) Lower the clamp lever and temporarily press the media.

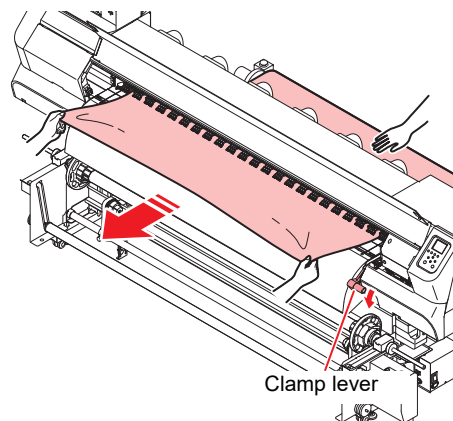
6 Raise the clamp lever on the front of the printer.



7 Pull the media lightly by hand to remove wrinkles on the surface, and lower the clamp lever.



- Pressing the [FUNC1] key sets to the [Stay Mode]. You can prevent the air shaft from rotating when pulling out the media.

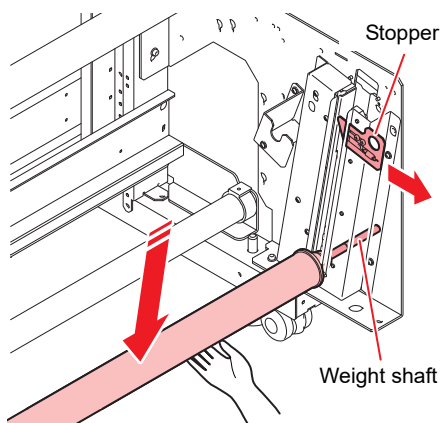
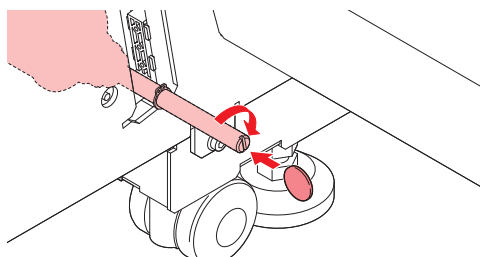


8 Lower the tension bar on the mini jumbo side.

- Continue feeding the media with the mini jumbo JOG switch until the tension bar lowers to the bottom.



- Put the tension bar with your hands down.
If you release the stopper without attaching a hand, the tension bar falls and it is dangerous.
- In case of dropping it, the weight shaft (horizontal shaft) comes loose. Firmly tighten with a coin or flat head screwdriver. If it is used with looseness, the weight shaft may be deformed or damaged.



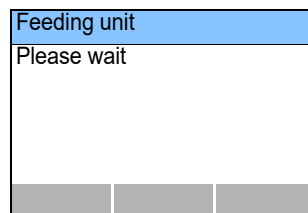
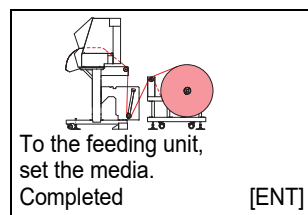
9 Press the **ENTER** key.

- The tension bar is automatically initialized.



- [Feeding tension bar] When an error occurs:
- Lower the tension bar to the bottom with the JOG switch and retry.
 - Be careful not to slack the media too much when retrying.

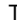
< Display screen >

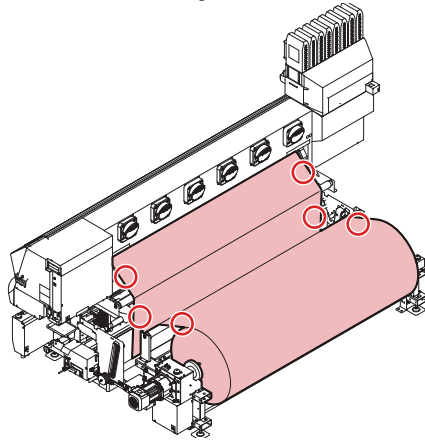


10 Press the key.

- The tension bar moves.



- Touch the place marked  in the figure below to confirm the tension of the media on the feeding side. If the tension of the media is not uniform or there is a difference between left and right media, set the media again.



Good

No good



The media is stretched to the left and right



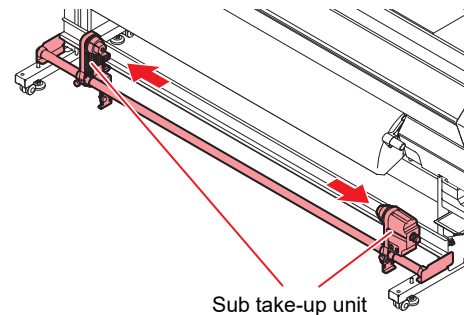
One side of the media is sagging

- If the media is not dry enough, the media edge on the take-up side may be displaced. The roll winds down partially and the media may interfere with the extended heater. In that case, raise the temperature of the extended heater.

11 Move sub take-up unit to both ends.



- Remove it when the paper core is attached to the sub take-up.

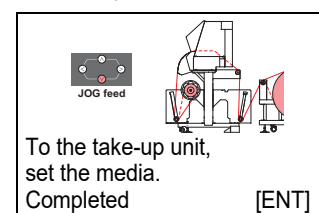


Sub take-up unit

12 Pass an empty paper core through the big roll shaft.

- (1) Big roll shaft.
 - For detailed instructions, refer to "P.21 "How to remove the big roll axis"".

< Display screen >

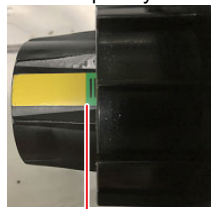


(2) Pass a paper core through the big roll shaft.

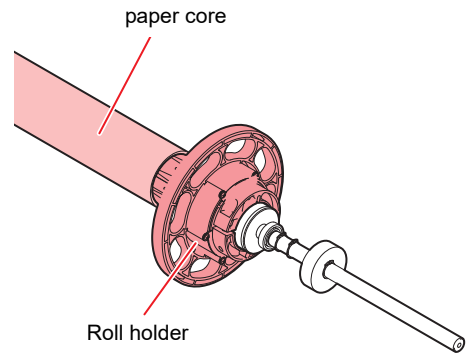
(3) Pass the roll holder through the big roll shaft and set at both ends of the paper core.

Important!

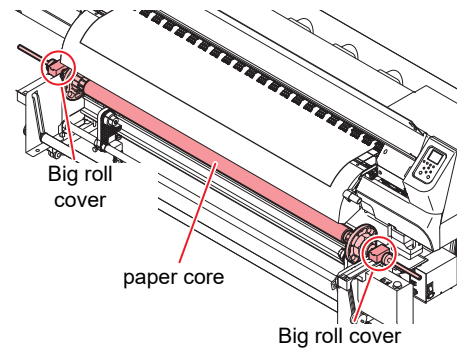
- Set the paper core so that you cannot see the green scale of the roll holder completely.



Turn it to this point



(4) After setting the big roll shaft, close the big roll cover.



13 Fix the paper core to the big roll shaft.

(1) Push the roll holder into the paper core.

(2) Move the paper core so that the paper core and the center of the media overlap.

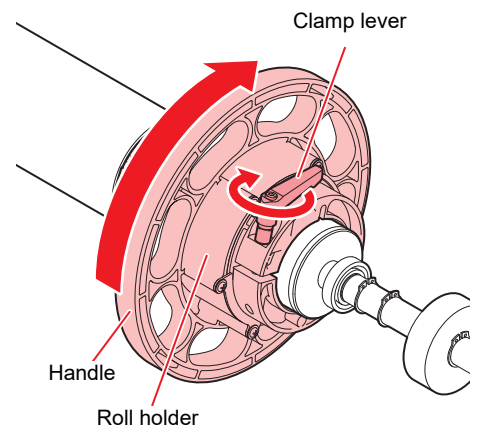
(3) Turn the clamp lever of the roll holder and fix it to the big roll shaft.

(4) Turn the handle of the roll holder and lock the paper core.

- Approximate tightening is about 3 scales after the roll holder hits the paper core.



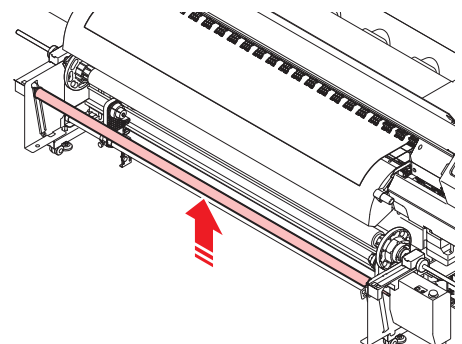
- If tightening is weak, there is a risk of loosening and taking-up failure occurring during printing.



14 Raise the tension bar on the big roll shaft side.



- If weight 200 is added to the tension bar on the mini jumbo side, remove it when passing the media.

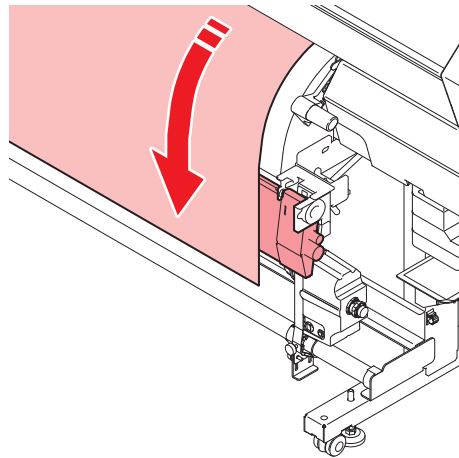


15 Press the key to feed the media.

- Feed the media that can be wrapped around the paper core.

Important!

- When using an extended heater, place the extended heater down and pass the media over the platen cover and the extended heater. (Recommendation)



- When using an extended heater, turn off the power of extended heater, or lower its temperature. If the temperature of the extended heater is high, media may be wrinkled or left and right difference may occur, affecting the media set.



- When touching the extended heater, make sure the extended heater to cool down enough before touching it.

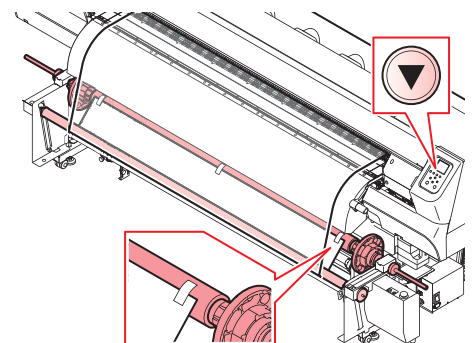
16 Fix the media to the big roll shaft.

- (1) Fix the center of the media with adhesive tape.

- (2) Similarly fix the left and right sides of the media.

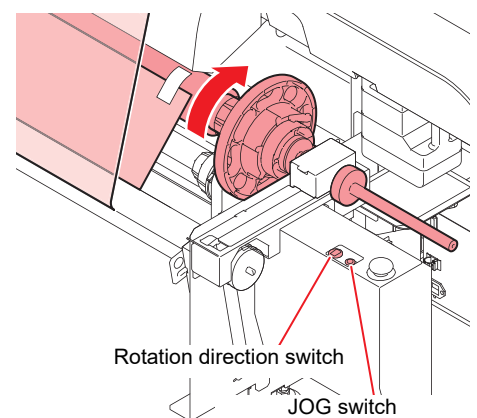


- Pull the media evenly to the left and right, check that there is no slack or wrinkle, and paste the tape.
- It is recommended that the taking-up direction of the media is inward (the printed side is inside).

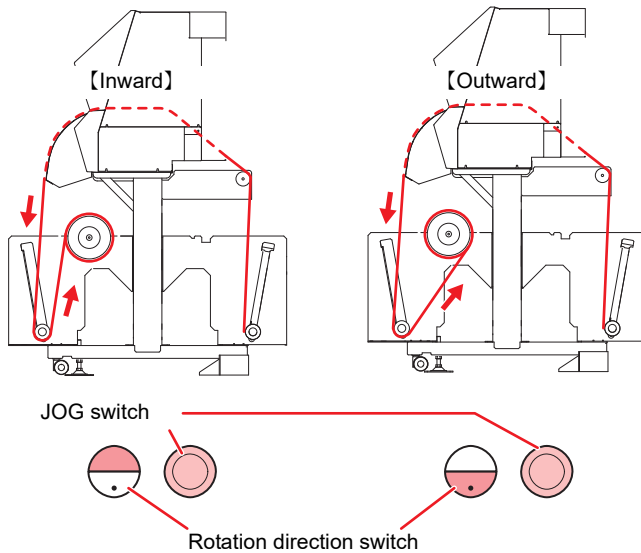


17 Feed the media and take-up it for 2 to 3 turns around the paper core.

- (1) Press the  key to slack the media.



(2) Set the rotation direction switch in the direction to take-up, and press and hold the JOG switch.



(3) Repeat (1) and (2) until taking-up three turns on the paper core.

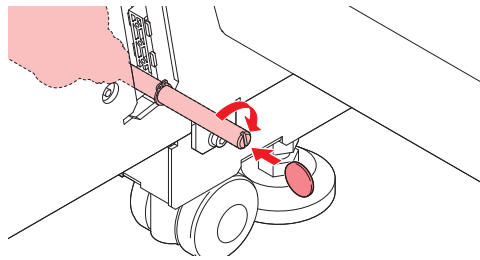


- Check that the shift does not occur on the media edge of the media.

18 Lower the tension bar on the big roll shaft side.



- Lower the tension bar with your hands attached. If you release the stopper without attaching a hand, the tension bar falls and it is dangerous.
- In case of dropping it, the weight shaft (horizontal shaft) comes loose. Firmly tighten with a coin or flat head screwdriver. If it is used with looseness, the weight shaft may be deformed or damaged.



19 Press the **ENTER** key.

- The tension bar is automatically initialized.

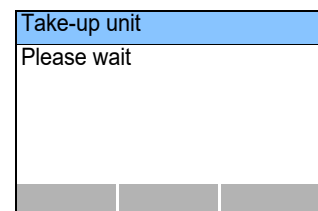
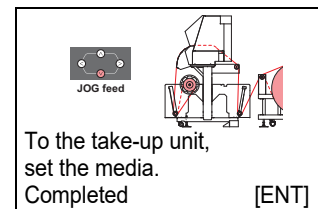


[Take-up tension bar] When an error occurs:

- Lower the tension bar to the bottom with the JOG switch and retry.
- Be careful not to slack the media too much when retrying.




- Do not operate the clamp lever after setting the media. It will cause slack and wrinkles.

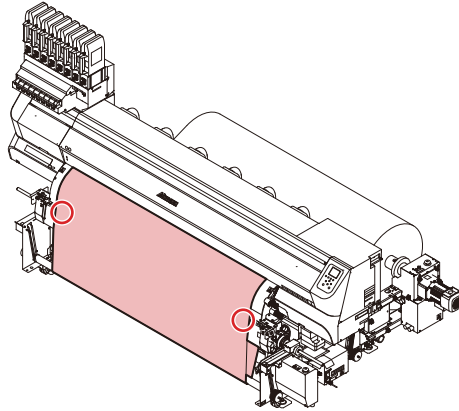


20 Press the key.

- The tension bar moves.



- Touch the place marked  in the figure below to confirm the tension of the media on the take-up side. If the tension of the media is not uniform or there is a difference between left and right, set the media again.



Good



The media is stretched to the left and right

No good



One side of the media is sagging

- If the media is not dry enough, the media edge on the take-up side may be displaced. The roll winds down partially and the media may interfere with the extended heater. In that case, raise the temperature of the extended heater.



- Be sure to check the remaining amount of ink and the amount of waste ink before starting printing. If ink runs short or the waste ink tank fills up, printing stops halfway.

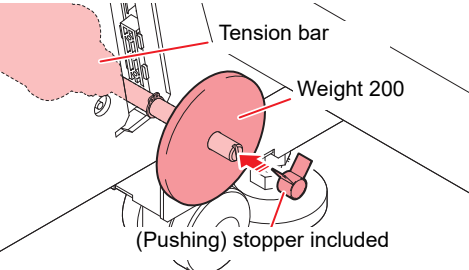
Important!

- Printing stops when the media diameter taken-up by the big roll unit exceeds 280 mm. Replace the paper core with a new one. (When using dia. 600 mm media, it is necessary to replace approximately 2 to 4 times)
- The paper core is a consumable item. Recommend to prepare enough. For paper cores, contact your dealer, our sales office or call center.

About weight

Check the tension of the media and attach weight 200 according to the situation. Up to 8 weights 200 can be attached to each of the total of 4 left and right sides of the tension bar.

Adding weight 200 to the take-up side tension bar increases the take-up pressure. While checking the tension of the media, add appropriate weights.

Media situation	Measures	Detail view
Wrinkles occur in the feed direction of the media.	The tension applied to the media is too strong.	
Media meanders during printing.	Remove the weight and lighten the tension bar.	
The media slackens and can not be taken-up evenly.	The tension applied to the media is too weak.	
Media is floating on platen.	Attach a weight and make the tension bar heavy.	
The unevenness of media feed rate occurs. (Media feeding width widens or narrows)	The feeding side is too heavy. Reduce the weight on the feeding side.	

Important!

- If the weight on the feeding side is heavy, the unevenness of media feed rate tends to occur.
- Recommended settings are as follows.

Media: Jet-X (57 g / m²)

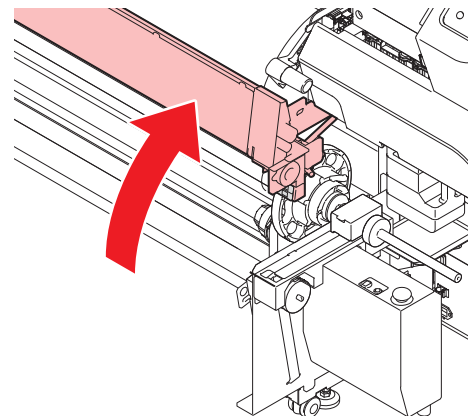
Weight 200: 0 pc on the feeding side and 8 pcs on the take-up side

How to remove the big roll axis

1 Lift the extended heater.



- The extended heater during printing is very hot. Work after the extended heater has sufficiently cooled down. (When using heater unit)

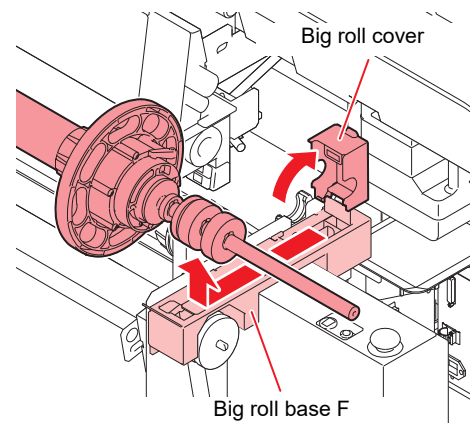


2 Open the left and right big roll covers.

3 Slide the big roll shaft out over the big roll base F and take it out.



- When moving the big roll shaft, work with two or more people. There is a possibility that the waist is hurt by the weight of the media.



How to attach media edge guide

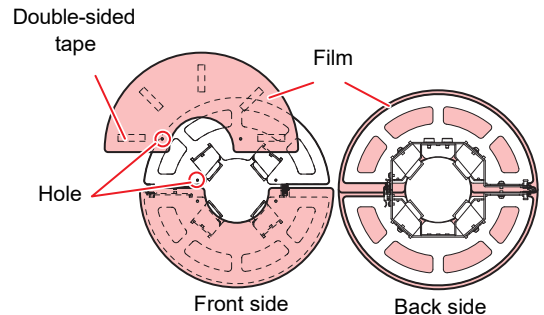
If the media edge of the media on the take-up side shifts greatly, attach the media edge guide to the big roll shaft.

- Important!** • The media edge guide is dedicated for big roll. It cannot be used for small one.

Preparation

1 Paste the film on the side in contact with the media.

- (1) Remove the seal on the double-sided tape attached to the film.
- (2) Adjust the position of the media edge guide and the small hole of the film and align them.



2 Install the attachment.

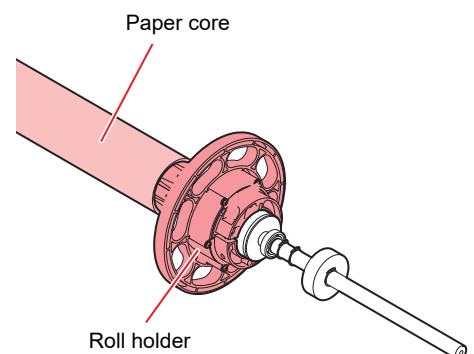
- Replace the attachment of the media edge guide according to the paper core being used. (P.16 "Pass an empty paper core through the big roll shaft.")
- A is the recommended setting. In the case of B, the media edge misalignment of the take-up media may become large.

Size of the paper core		Media edge guide to be used	Detail view
A (recommended)	Length: media width + 10 mm and less Thickness: 3 to 10 mm	Fixing roll holder	Attachment Screw Screw
B	Length: media width + +100mm and less Thickness: 3 to 5mm	Paper core	Attachment Screw Screw

A. Attach the media edge guide of the fixing roll holder (recommended)

1 Pass the paper core and the roll holder through the big roll shaft, and then attach them to the machine.

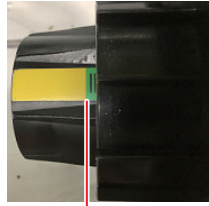
- Important!** • After this, adjust the position of the paper core. Do not fix the roll holder yet.



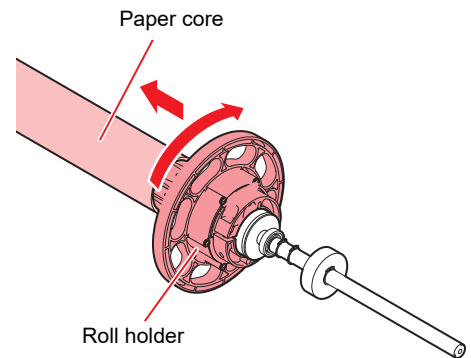
2 Turn the handle of the roll holder and then insert it on both sides of the paper core.

Important!

- Turn the roll holder to a position where the green scale is not visible and then insert it into the paper core.



Turn it to this point

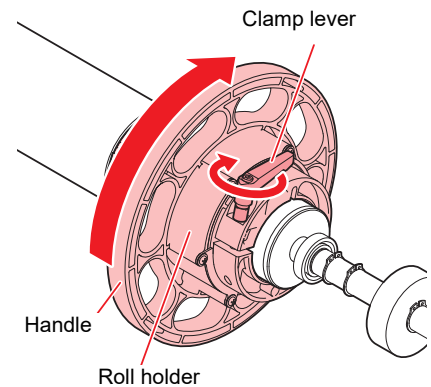
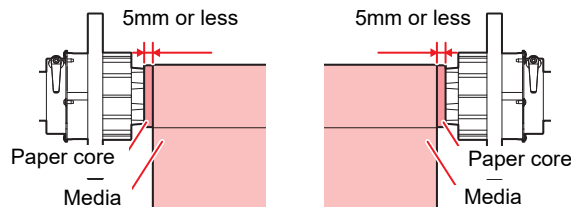


3 Fix the roll holder and the paper core.

- (1) Turn the clamp lever to fix the left and right roll holders.
- (2) Turn the handle of the roll holder to lock the paper core.
 - Fix the paper core firmly.

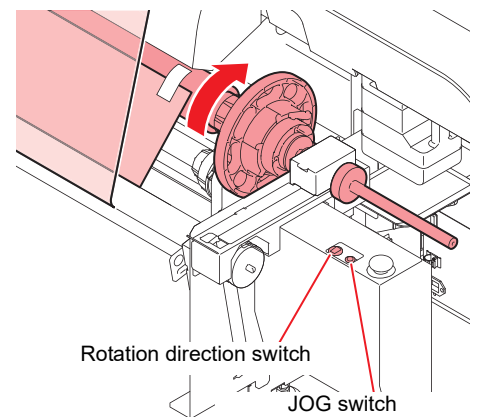
Important!

- Adjust the position of the paper core so that the end of the media and the end of the paper core may be 5 mm or less.



4 Set media.

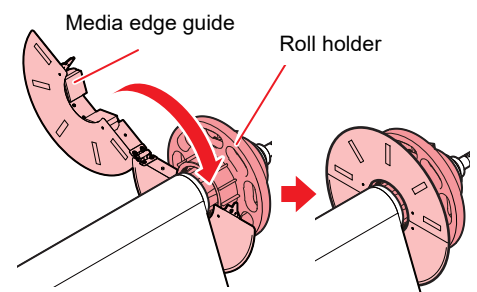
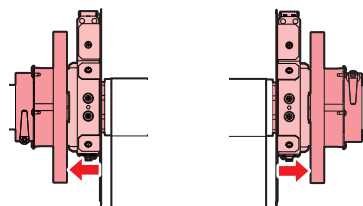
- Refer to P.11 "Set media" to set media.
- After setting, feed the media and then wind it for 2 or 3 rounds around the paper core.



5 Attach the media edge guide to the roll holder.

Important!

- Set it so that the media edge guide may be vertically placed on the media.
- Press the media edge guide strongly against the roll holder.

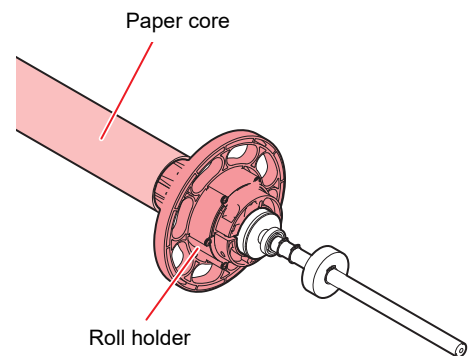


B. Attach the media edge guide for fixing the paper core.

1 Pass the paper core and the roll holder through the big roll shaft, and then attach them to the machine.

Important!

- After this, adjust the position of the paper core. Do not fix the roll holder yet.

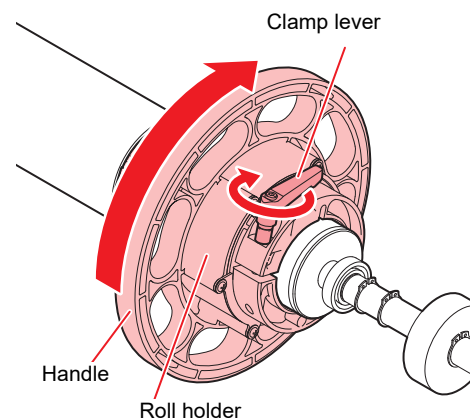
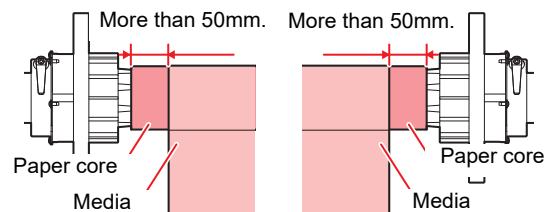


2 Fix the roll holder and the paper core.

- (1) Turn the clamp lever to fix the left and right roll holders.
- (2) Turn the handle of the roll holder to lock the paper core.
 - Fix the paper core firmly.

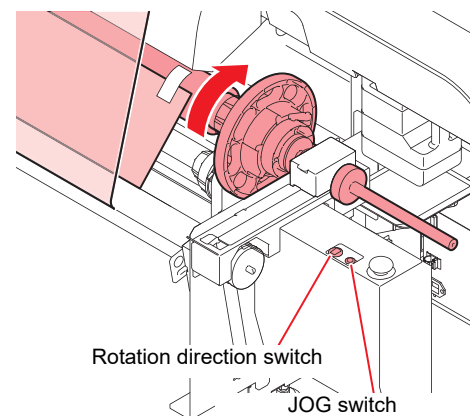
Important!

- Adjust the position of the paper core so that the end of the media and the end of the paper core may be 50mm or more.



3 Set media.

- Refer to P.11 "Set media" to set media.
- After setting, feed the media and then wind it for 2 or 3 rounds around the paper core.



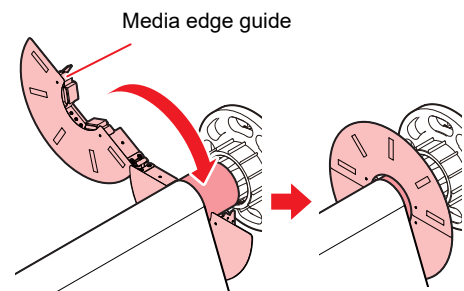
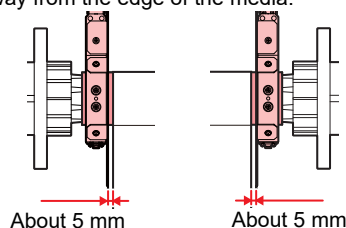
4 Attach the media edge guide to the paper core.



- Set it so that the media edge guide may be vertically placed on the media. If you set the media edge guide obliquely, the media may be broken.

Important!

- Fix the media edge guide to the position that is about 5 mm away from the edge of the media.





- If the media edge of the media breaks, the weight may be too heavy. Reduce the weight and then confirm it again.
☞ P.21 "About weight"

Replace the film sheets of the media edge guide.

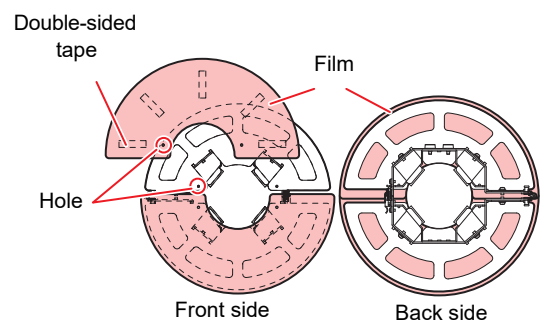
When the film sheets of the media edge guide break or become dirty, replace with new film ones. (PN : SPC-0852)

1 Peel off old film sheets.

- When the film sticking surface is dirty, remove it.

2 Peel the double-sided tape of the new film sheets and then paste them.

- Adjust the position of the media edge guide and the small hole of the film and align them.



Error list

Display	Cause	Measures
Invalid Operation Take-up LimitDetect	The function can not be executed, since the upper limit of the take-up tension bar position is detected.	<ul style="list-style-type: none"> Lower the take-up tension bar and then execute the function.
Invalid Operation Feeding LimitDetect	The function can not be executed, since the upper limit of the feeding tension bar position is detected.	<ul style="list-style-type: none"> Execute the function after lowering the feeding tension bar.
Invalid Operation Take-up Wrong	The function can not be executed, since the take-up tension bar is not moving from the lower limit position.	<ul style="list-style-type: none"> Execute the function after confirming that the take-up unit operates normally with the JOG switch.
Invalid Operation Feeding Wrong	The function can not be executed, since the feeding tension bar is not moving from the lower limit position.	<ul style="list-style-type: none"> Execute the function after confirming that the feeding unit operates normally with the JOG switch.
Invalid Operation Take-up CoverOpen	The function can not be executed because the cover of take-up unit is open.	<ul style="list-style-type: none"> Execute the operation after closing the cover of take-up unit.
Invalid Operation Feeding CoverOpen	The function can not be executed because the cover of feeding unit is open.	<ul style="list-style-type: none"> Execute the operation after closing the cover of feeding unit.
Invalid Operation Take-up Connect	The function can not be executed because the connection between feeding and take-up is reversed,	<ul style="list-style-type: none"> Restart the machine. If displaying again, contact your local distributor, our sales office, or service center.
Invalid Operation Feeding Connect	The function can not be executed because the connection between feeding and take-up is reversed,	
Invalid Operation Take-up Unit None	The function can not be executed because the take-up unit is not connected.	
Invalid Operation Feeding Unit None	The function can not be executed because the feeding unit is not connected.	
Invalid Operation Take-up EmerSW On	The function can not be executed because the emergency stop switch of the take-up unit is pushed.	<ul style="list-style-type: none"> Execute the operation after releasing the emergency stop switch of the take-up unit.
Invalid Operation Feeding EmerSW On	The function can not be executed because the emergency stop switch of the feeding unit is pushed.	<ul style="list-style-type: none"> Execute the operation after releasing the emergency stop switch of the feeding unit.
Invalid Operation Take-up Unit Power	The function can not be executed because the normal state of the inverter of the feeding unit can not be confirmed.	<ul style="list-style-type: none"> Restart the machine. If displaying again, contact your local distributor, our sales office, or service center.
Invalid Operation Feeding Unit Power	The function can not be executed because the normal state of the inverter of the feeding unit can not be confirmed.	
Invalid Operation Take-up Relay Welding	The function can not be executed because there is a possibility that the relay of the take-up unit is broken.	<ul style="list-style-type: none"> Restart the machine. If displaying again, contact your local distributor, our sales office, or service center.
Invalid Operation Feeding Relay Welding	The function can not be executed because there is a possibility that the relay of the feeding unit is broken.	
Attention 429 Take-up LimitDetect	The upper limit of the take-up tension bar position is detected.	<ul style="list-style-type: none"> Lower the take-up tension bar.
Attention 42A Feeding LimitDetect	The upper limit of the feeding tension bar position is detected.	<ul style="list-style-type: none"> Lower the feeding tension bar.
Attention 425 Take-up Wrong	The take-up tension bar is not moving from the lower limit position.	<ul style="list-style-type: none"> Make sure the take-up unit operates normally with MANUAL operation.

Display	Cause	Measures
Attention 426 Feeding Wrong	The feeding tension bar is not moving from the lower limit position.	• Make sure the feeding unit operates normally with MANUAL operation.
Information 427 Take-up CoverOpen	The cover of the take-up unit is open.	• Close the cover of the take-up unit.
Information 428 Feeding CoverOpen	The cover of the feeding unit is open.	• Close the cover of the feeding unit.
Error 432 Take-up Connect	The connection between take-up and feeding is reversed.	• Restart the machine. If displaying again, contact your local distributor, our sales office, or service center.
Error 433 Feeding Connect	The connection between take-up and feeding is reversed.	
Error 442 Take-up Unit None	The take-up unit is not connected.	
Error 443 Feeding Connect	The Feeding unit is not connected.	
Attention 485 Take-up EmerSW On	The emergency stop switch of the take-up unit is pushed.	• Release the emergency stop switch of the take-up unit.
Attention 486 Feeding EmerSW On	The emergency stop switch of the feeding unit is pushed.	• Release the emergency stop switch of the feeding unit.
Attention 483 Take-up Unit Power	The normal state of the inverter of the take-up unit can not be confirmed.	• Make sure that the power switch of the OPT electrical box is on. If displaying again, contact your local distributor, our sales office, or service center.
Attention 484 Feeding Unit Power	The normal state of the inverter of the feeding unit can not be confirmed.	
Error 487 Take-up Relay Weld	There is a possibility that the relay of the take-up unit is broken.	• Restart the machine. If displaying again, contact your local distributor, our sales office, or service center.
Error 488 Feeding Relay Weld	There is a possibility that the relay of the feeding unit is broken.	
Error 403 X CURRENT	Overcurrent error of X motor was detected.	• Turn off the power on the machine and turn it on after a while. If displaying again, contact your local distributor, our sales office, or service center.
Attention 44f Take-up Roll Sns Err	The roller sensor cannot be correctly read.	• Check the set condition of the media. • Confirm that the take-up unit operates with the JOG switch.
Attention 450 Feeding Roll Sns Err	Can not read the feeding shaft sensor correctly.	• Check the setting condition of the media. • Check that the feeding unit operates with the JOG switch.
Information 47F Take-up Diameter Max	The take-up unit reached its maximum diameter.	• Change the take-up roll shaft.
Attention 482 Feeding Shaft Position	The feeding roll shaft could not be moved to the takeout position.	• Restart the machine. If displaying again, contact your local distributor, our sales office, or service center.

Specifications

Item		Contents
Settable media	Maximum weight	Take-up: 100 kg / feed: 300 kg
	Maximum diameter	Take-up: 280mm / feed: 600 mm
	Maximum width	1910mm (maximum printing width: 1900mm)
Power supply specification *1		Single-phase AC200 ~ 240V x1
Power consumption		1.0 kW or less
Outer dimensions (W x D x H)*2	Single item dimension	2773mm x 988mm x 602mm
	Installed to the machine	3240mm x 1850mm x 1857mm
Weight		191kg

*1.Note that the power supply specification differs from the printer.

*2. When the mini jumbo roll maximum diameter (dia. 600) is installed



はじめに

この度は、搬送ユニットをお買いあげいただき、誠にありがとうございます。

取扱説明書について

- 本書は、搬送ユニットの操作について説明いたします。
- 本書をお読みになり、十分理解してからお使いください。また、本書をいつも手元に置いてお使いください。
- 本書は、搬送ユニットをお使いになる担当者のお手元に確実に届くようお取りはからってください。
- 本書は、内容について十分注意して作成していますが、万一不審な点がありましたら、販売店または弊社営業所までご連絡ください。
- 本書は、改良のため予告なく変更する場合があります。ご了承ください。
- 本書が焼失／破損などの理由により読めなくなった場合は、新しい取扱説明書を弊社営業所にてお買い求めください。

ご注意

株式会社ミマキエンジニアリングの保証規定に定めるものを除き、本製品の使用または使用不能から生ずるいかなる損害（逸失利益、間接損害、特別損害またはその他の金銭的損害を含み、これらに限定しない）に関して一切の責任を負わないものとします。

また、株式会社ミマキエンジニアリングに損害の可能性について知らされていた場合も同様とします。

一例として、本製品を使用したメディア等の損失や、作成された物によって生じた間接的な損失等の責任負担もしないものとします。

搬送ユニットを使用したことによる金銭上の損害および逸失利益、または第三者からのいかなる請求についても、当社は一切その責任を負いかねますので、あらかじめご了承ください。

本書の内容を無断で転載することは禁止されています。

© 株式会社ミマキエンジニアリング









All Rights Reserved. Copyright

安全にお使いいただくために

マーク表示について

本書では、マーク表示により操作上の注意内容を説明しています。注意内容により表示するマークは異なります。各マーク表示の持つ意味を理解し、本機を安全に正しくお使いください。






マーク表示の例

内 容		
 警告	警告	この指示を無視して誤った取り扱いをすると、死亡または重傷のおそれがある内容を示しています。必ずよくお読みになり、正しくお使いください。
 注意	注意	この指示を無視して誤った取り扱いをすると、軽傷または中程度の負傷のおそれがある内容を示しています。
 一般警告	一般警告	注意しなければならない事項を示しています。具体的な注意事項は図の中に描かれます。
 一般強制指示	一般強制指示	実行しなければならない事項を示しています。具体的な指示内容は図の中に描かれます。
 一般禁止	一般禁止	してはいけない事項を示しています。具体的な禁止内容は図の中に描かれます。
 重要	重要	「重要」マークは、本機をお使いいただく上で、知っておいていただきたい内容が書かれています。操作の参考にしてください。
 ヒント	ヒント	「ヒント」マークは、知っておくと便利なことが書かれています。操作の参考にしてください。
 参照情報	参照情報	関連する内容の参照ページを示しています。文字をクリックすると該当ページが表示されます。





設置上のご注意

 注意	
次のような場所には設置しない	
 <ul style="list-style-type: none">・直射日光が当たる場所・水平でない場所・振動が発生する場所・エアコンなどの風が直接当たる場所・火を使う場所	 <ul style="list-style-type: none">・温度や湿度の変化が激しい場所（推奨する使用環境は、接続するプリンターによって異なります。プリンターの取扱説明書をご確認ください。）

警告事項

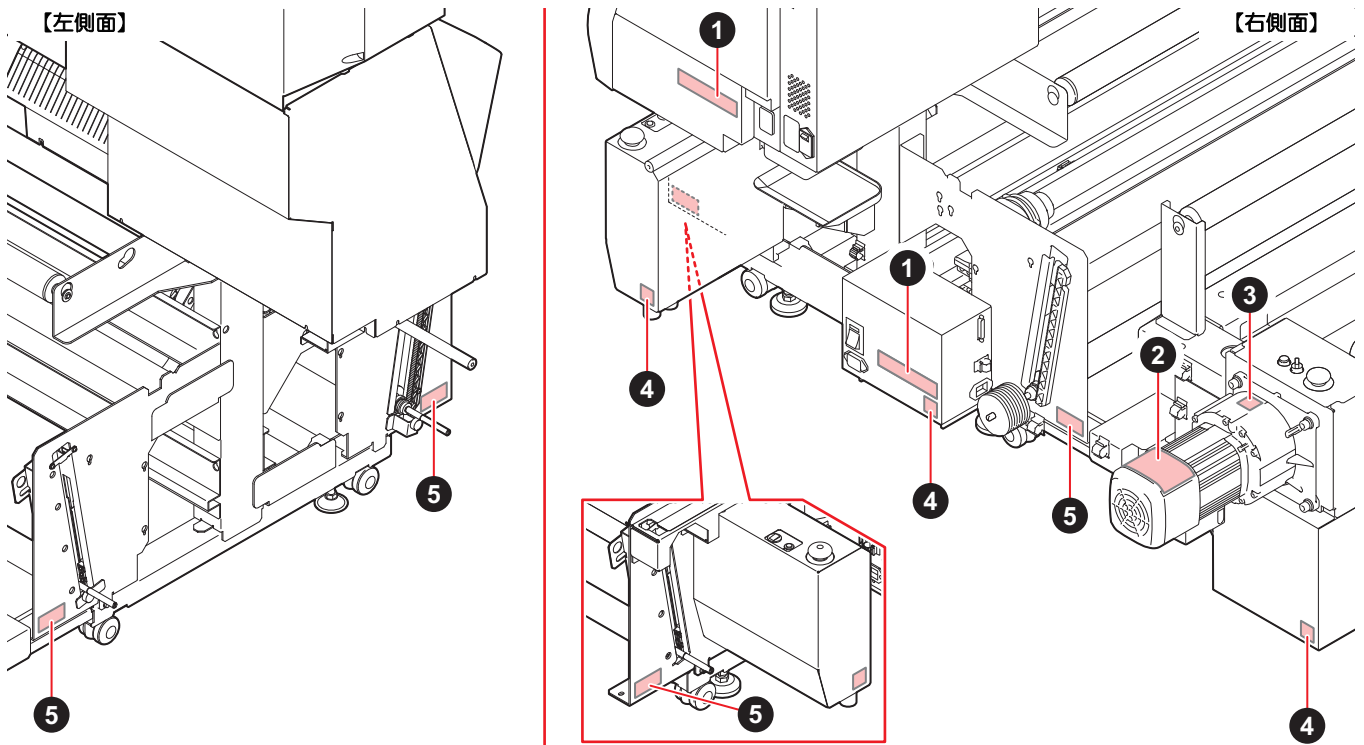
 警告	
	<ul style="list-style-type: none"> 同梱されている電源コードセットは本機専用です。本機以外の電気機器には使用できません。また、同梱されている電源コードセット以外の電源コードセットは、本機には使用しないでください。火災や感電の原因になります。 電源ケーブルを傷つけたり、破損したり、加工しないでください。また、重い物をのせたり、加熱したり、引っ張ったりすると電源ケーブルが破損し、火災・感電の原因になります。 万一、煙が出ている、変な臭いがするなどの異常事態のまま使用すると、火災・感電の原因になります。すぐに、電源スイッチをオフにして、その後必ずプラグをコンセントから抜いてください。煙が出なくなるのを確認してから、販売店または弊社営業所に修理をご依頼ください。お客様による修理は危険ですから絶対に行わないでください。 メディア搬送面のヒーターにホコリやゴミ等が付着しないようにしてください。発火、火災の原因になります。 延長コードは使用しないでください。火災や感電の原因になります。 電源プラグの刃に金属などが触れると、火災や感電の原因になります。 タコ足配線をしないでください。火災や感電の原因になります。 電源コードが傷んだり、芯線の露出・断線などが見られるときはサービス実施店に交換を依頼してください。そのまま使用すると火災や感電の原因になります。 濡れた手で電源プラグを抜き差ししないでください。感電の原因になります。 電源プラグを抜くときは、必ず電源プラグを持って抜いてください。電源コードを引っばらないでください。コードが傷つき、火災や感電の原因になります。 表示された電源電圧以外の電圧で使用しないでください。火災や感電の原因になります。 表示された電源周波数以外では使用しないでください。火災や感電の原因になります。 危険な可動部に、指や体の他の部分を近づけないでください。 万一、金属、水、液体などの異物が本機内部に入ったときは、すぐに電源を切ってください。その後、必ず電源プラグをコンセントから抜いてサービス実施店に連絡してください。そのまま使用すると火災や感電の原因になります。 インク漏れが発生した場合は、主電源スイッチをオフにして電源プラグを抜いてから、販売店または弊社営業所、コールセンターにお問い合わせください。 本機を移動する場合は、最寄のサービス店にご相談ください。 この機器は子供がいる可能性のある場所での使用には適していません。
	<ul style="list-style-type: none"> 本機の近くまたは内部で可燃性のスプレーや引火性溶剤などを使用しないでください。引火による火災や感電の原因になります。 本機の上や近くに花瓶、植木鉢、コップ、化粧品、薬品、水などの入った容器または小さな金属物を置かないでください。こぼれたり、中に入ったりすると、火災や感電の原因になります。
分解・改造はしない	湿気の多い場所では使用しない
	
<ul style="list-style-type: none"> 本機の分解・改造は、絶対に行わないでください。感電や故障の原因になります。 	<ul style="list-style-type: none"> 湿気の多い場所での使用や、装置に水をかけないでください。火災や感電、故障の原因になります。

注意事項

 注意	
電源供給について	
	<ul style="list-style-type: none"> プレーカーは常時オンにしておいてください。 側面にある主電源スイッチはオフにしないでください。
電源ケーブルについて	
	<ul style="list-style-type: none"> 極性付きのコンセントに接続してください。 必ず本機の近くにある電源コンセントに接続し、容易に取り外しができるようにしてください。 電源プラグは年に 1 回以上コンセントから抜いて、プラグの刃と刃の周辺部分を清掃してください。ほこりがたまると、火災の原因になります。 表示された電源電圧以外の電圧で使用しないでください。 電源を接続する際には、電源コンセントの入力電圧、プレーカーの容量を確認し、それぞれのケーブルはプレーカーが独立している別の電源に接続してください。同じプレーカーにつながっているコンセントに接続すると、プレーカーが遮断することがあります。
ヒーターについて	
	<ul style="list-style-type: none"> メディア搬送面上に液体をかけないでください。ヒーターの故障や発火の原因になります。 メディア搬送面のヒーターが熱いうちに素手で触らないでください。火傷の原因になります。

警告ラベルについて

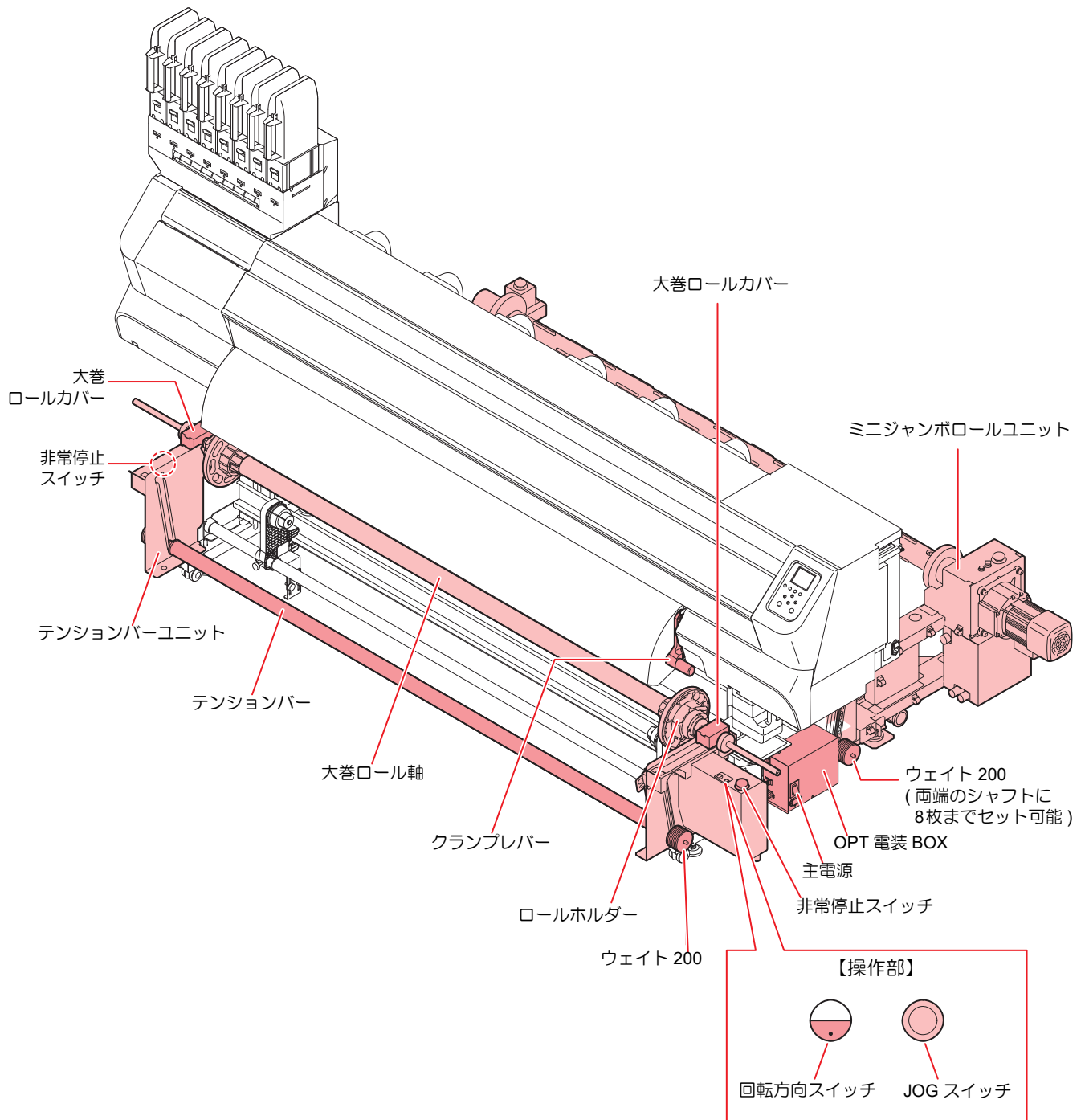
本機には、以下の警告ラベルが貼ってあります。警告ラベルの内容を十分理解してください。
 なお、警告ラベルが汚れて読めなくなったり剥がれた場合は、新しい警告ラベルを販売店または弊社営業所にてお買い求めください。



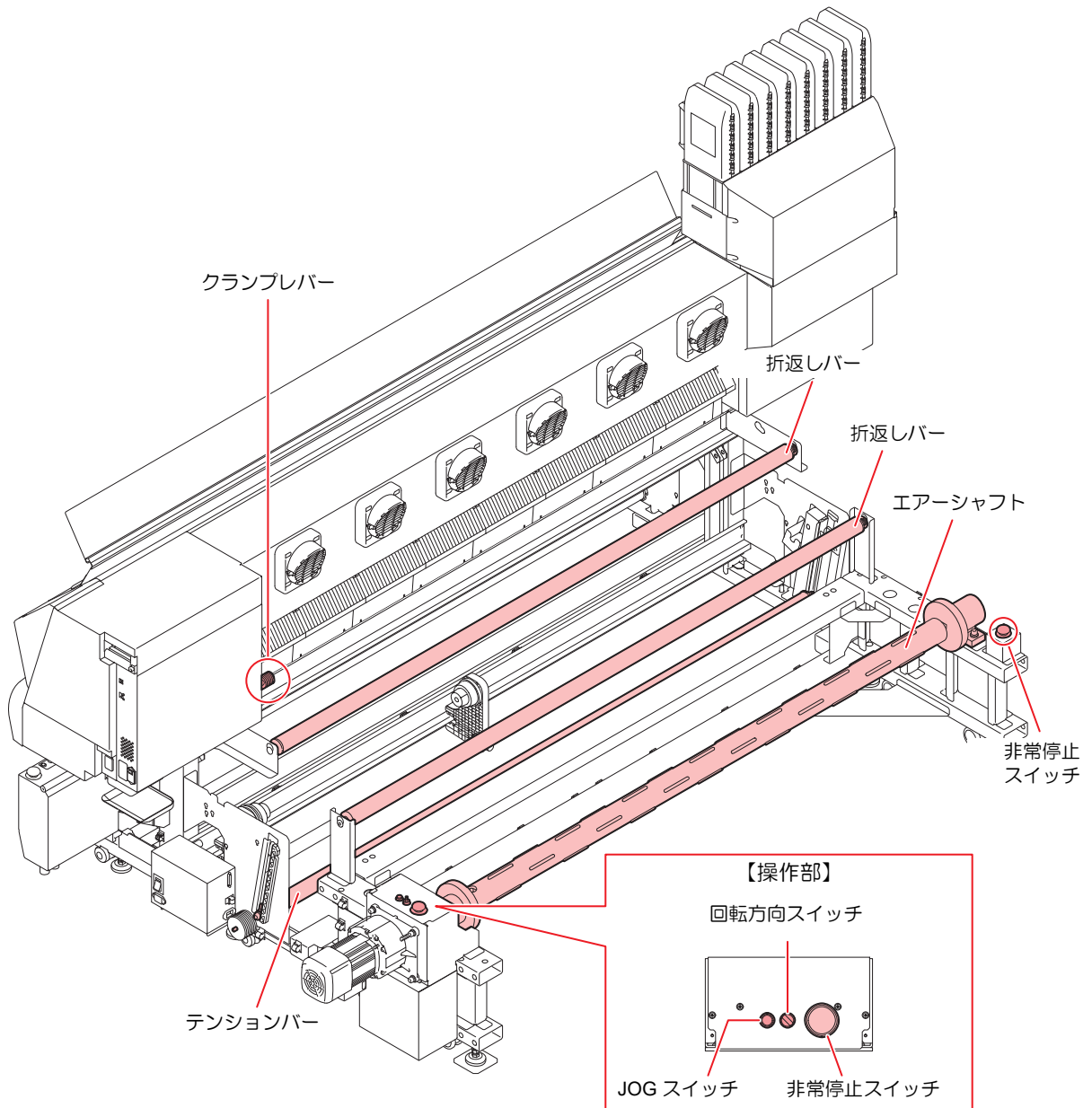
No.	注文番号	ラベル	説明
1	M916035	<p>There is another power cable in addition to the power cable of this unit. To avoid electric shock etc., in case of power off, unplug all power cables.</p> <p>Il y a un autre câble d'alimentation en plus de celui de cette unité, électriques etc., pour éteindre le courant, il faut débrancher tous les câbles d'alimentation.</p> <p>本ユニットの電源ケーブルとは別に電源ケーブルがある。 感電等の危険があるため、電源をオフする場合はすべての電源ケーブルを抜くこと。</p>	感電等の危険があるため、主電源をオフする場合は、すべての電源をオフにして、ケーブルを抜いてください。
2	M907764	<p>上部に乗るな DO NOT STEP ON TOP NE GRIMPEZ PAS DESSUS</p>	破損の可能性があるため、乗ったり、物を置いたりしないでください。
3	M903239		高温部分です。 部品に触れないでください。
4	M907935		内部に危険電圧があります。
5	M912054		可動部です。挟み込む危険があるため、指や体を近づけないでください。

各部の名称

装置前面

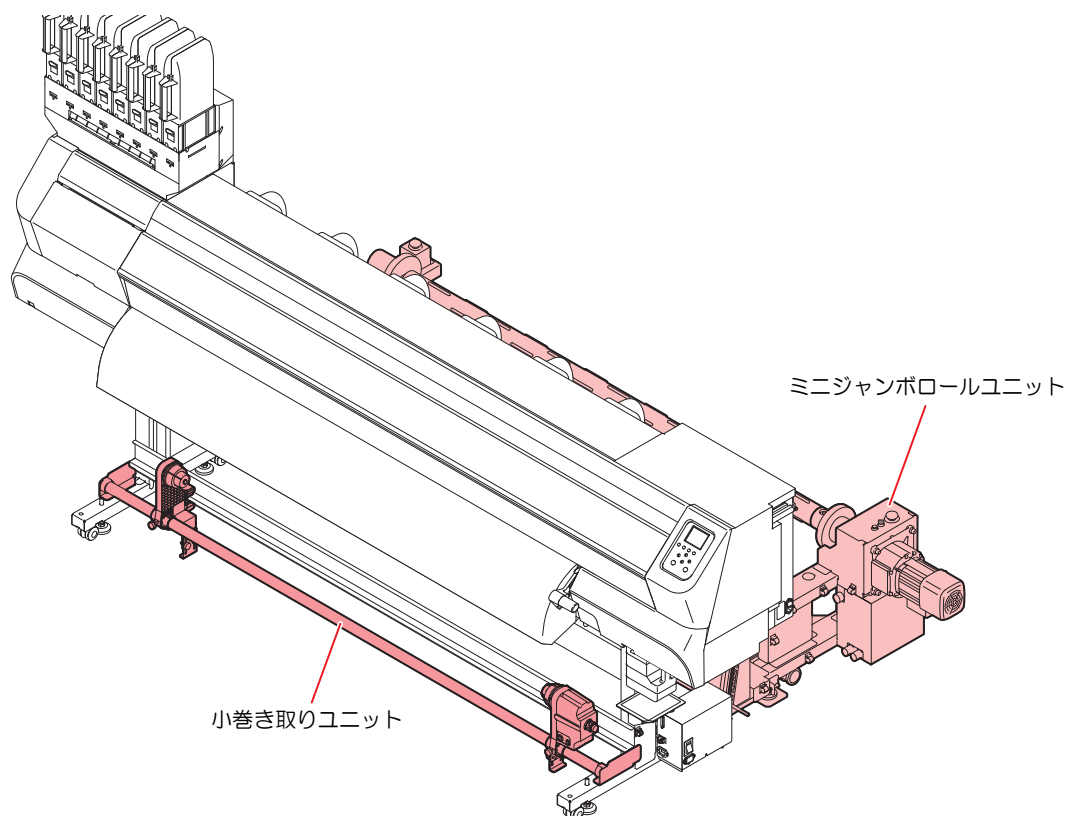


装置背面



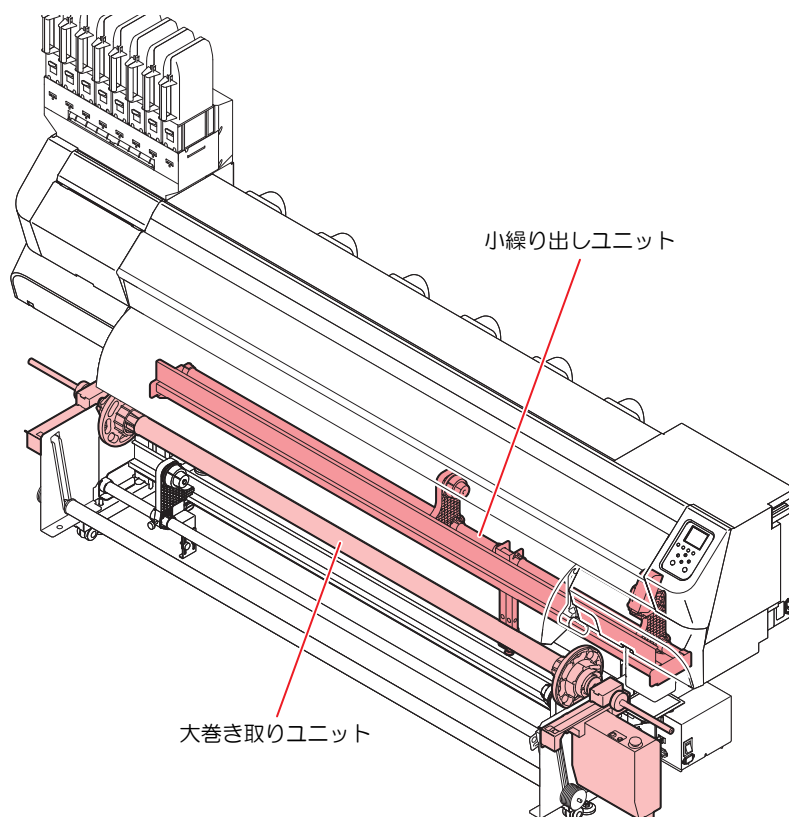
オプションユニットの組み合わせ

ミニジャンボロールユニットと小巻き取りユニット

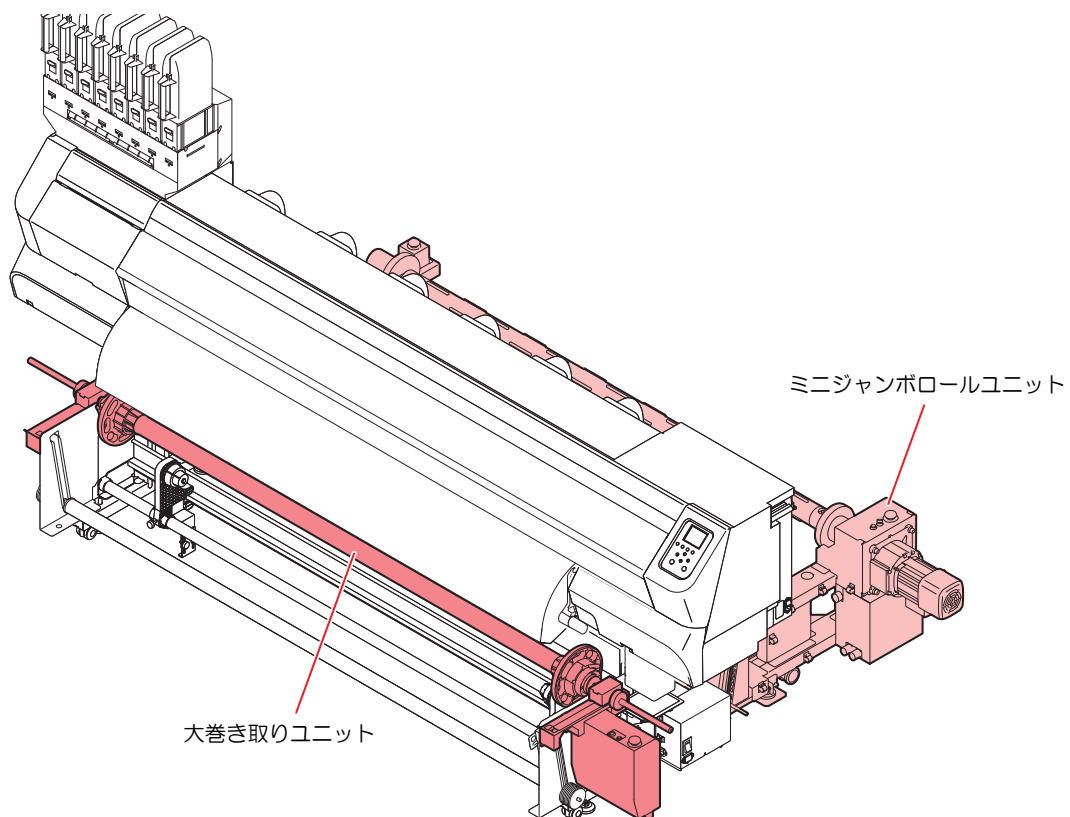


重要! ・上記組み合わせの場合、ミニジャンボロールユニットにウェイト 200 は使用できません。テンションバーから取り外してください。

小繰り出しユニットと大巻き取りユニット



ミニジャンボロールユニットと大巻き取りユニット



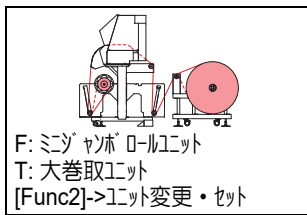
使用するユニットの選択 / 切り替え

- 1 クランプレバーを下げる。
- 2 ローカルモードで、**ENTER** キーを 3 回押す。
 - ・ 現在有効なユニットが表示されます。

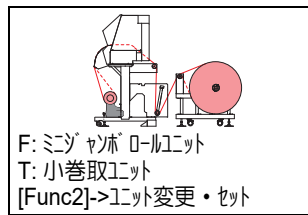
<表示画面>

設定1		
<< メディア検出実行		
Post1	Post2	Option
35/35	35/35	60/60
○	○	○
Menu	Cleaning	

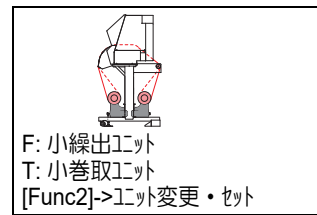
<ユニット組み合わせごとの表示画面>



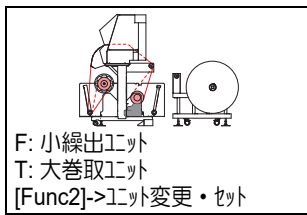
ミニジャンボ x 大巻き取り



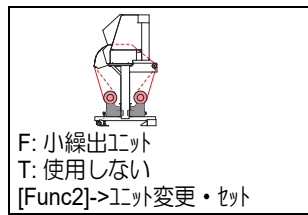
ミニジャンボ x 小巻き取り



小繰り出し x 小巻き取り



小繰り出し x 大巻き取り



小繰り出し x 未使用

- 3 **FUNC2** キーを押して、使用するユニットを切り替える。

(1) 繰り出し側で使用するユニットを選択する。

ユニット変更・セット
繰出側で使用する ユニットを選択してください ミニジャンボ ロールユニット 小繰出ユニット

(2) 巻き取り側で使用するユニットを選択する。



・ 必要な場合のみ、セットアップシーケンスを実施します。

ユニット変更・セット
巻取側で使用する ユニットを選択してください 大巻取ユニット 小巻取ユニット 使用しない



・ 繰り出し側のみテンションバーを使用する場合は、繰り出し側のウェイト 200 を全て外してご使用ください。

メディアをセットする

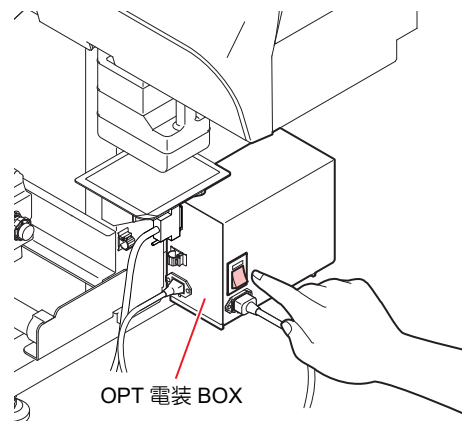


- ロールメディアのセットは、3人以上で作業してください。
- ロールメディアのセットには、耐荷重 315kg 以上のメディアリフターを使用してください。

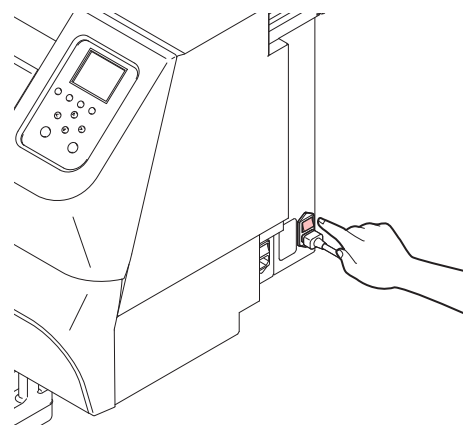
重要!

- ロールメディアのセットには、エアコンプレッサーが必要です。(吐出圧力 0.5MPa 推奨)

1 OPT 電装 BOX の電源スイッチをオンにする。



2 プリンター本体の主電源スイッチをオンにする。

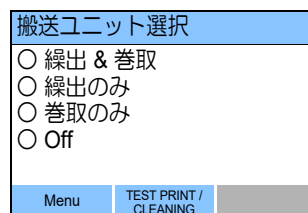


3 操作パネルの [電源ボタン] を押す。

- [搬送ユニット選択] 画面から、使用する搬送ユニットを選択します。

ミニジャンボロールユニットと大巻き取りユニットを使う場合	繰出 & 巻取
ミニジャンボロールユニットのみ使う場合	繰出のみ
大巻き取りユニットのみ使う場合	巻取のみ
どちらも使わない場合	Off

<表示画面>



- もしくは、ローカル画面から **ENTER** キーを 3 回押して、**FUNC2** キーで使用するユニットを切り替えます。

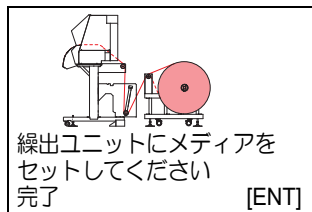


- 延長ヒーターを使用する場合は、延長ヒーターの電源をオフにするか、温度を下げてください。延長ヒーターの温度が高くと、メディアにしわが入ったり左右差が発生するなど、メディアセットに影響するおそれがあります。

4 メディアをエアシャフトにセットする。

- (1) [FUNC2] キーでエアシャフトを回転させ、エアシャフト挿入口を上に向ける。

<表示画面>



- メディアがマシン本体にセットされている場合は、[FUNC2] キーは無効になります。

- (2) シャフト固定を傾ける。



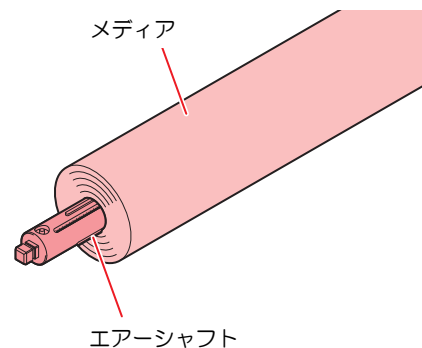
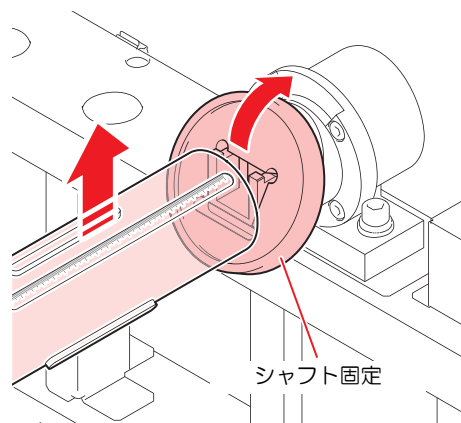
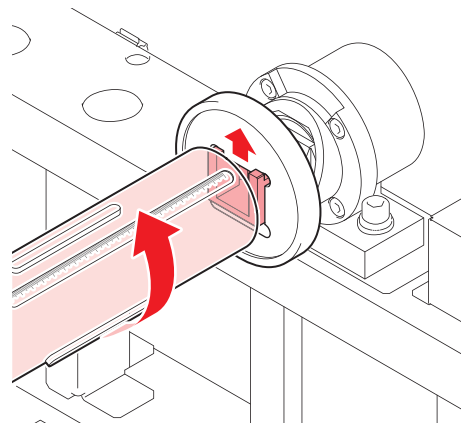
- シャフト固定を傾げる前に、必ずエアシャフト挿入口が上を向いていることをご確認ください。



- 電源オフ時には、シャフトは回転しません。
- シャフト固定の移動時、力を加えた際に手や指を挟まないようご注意ください。
- 安全のため、シャフト固定の動作は重くなっています。動かしにくい場合はプラスチックハンマー等をご使用ください。

- (3) エアシャフトを取り外す。

- (4) メディアにエアシャフトを通す。

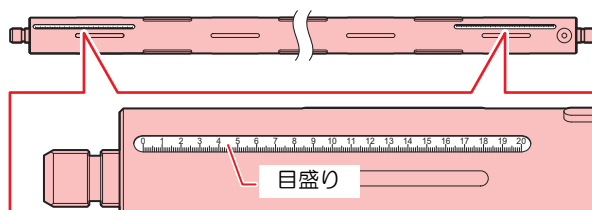


- (5) エアシャフトの位置を調整してから、付属の Air Nozzle で、エアシャフトにエアを入れてメディアを固定する。

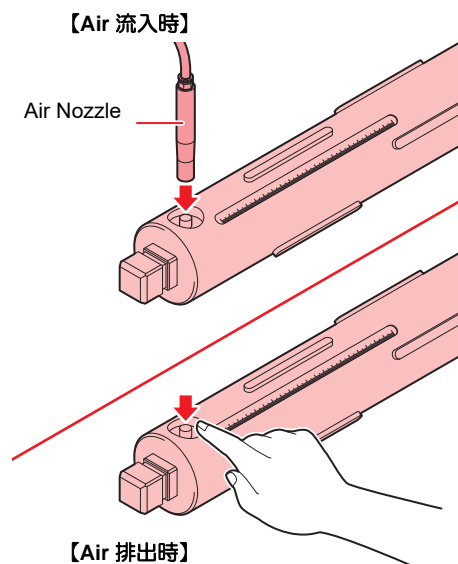


- エアシャフト両端の目盛りが、同じ値になるようにセットしてください。

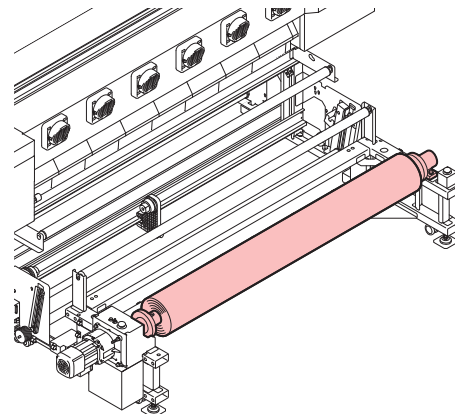
【メディアのセット位置】



- エアが足りないとメディアが空転して搬送不良が発生します。



(6) メディアをシャフト固定位置に移動させる。



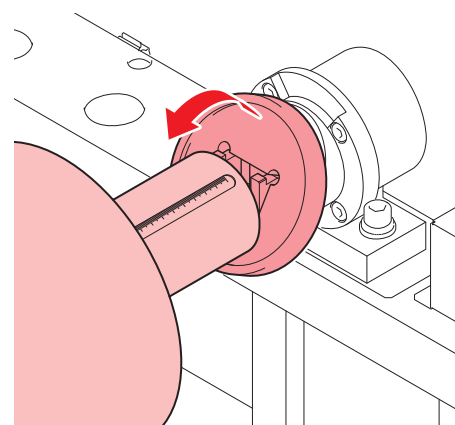
(7) メディアを下ろし、シャフトを固定する。



- シャフトは必ず確実に固定してください。固定せずにメディアを回転させると、エアシャフトが脱落する可能性があります危険です。

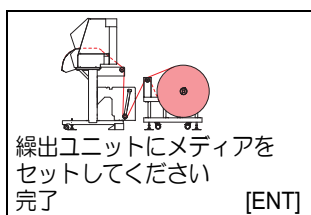


- シャフト固定の移動時、力を加えた際に手や指を挟まないようご注意ください。
- 安全のため、シャフト固定の動作は重くなっています。動かすににくい場合はプラスチックハンマー等をご使用ください。

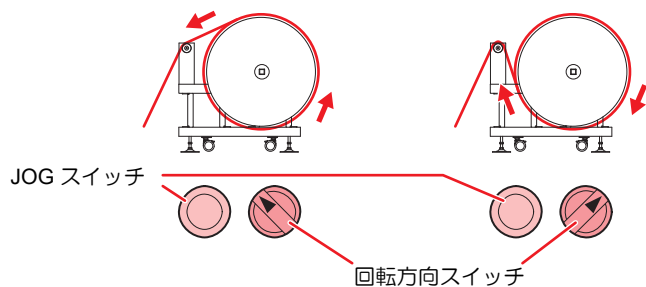


5 プリンター本体までメディアを通す。

<表示画面>



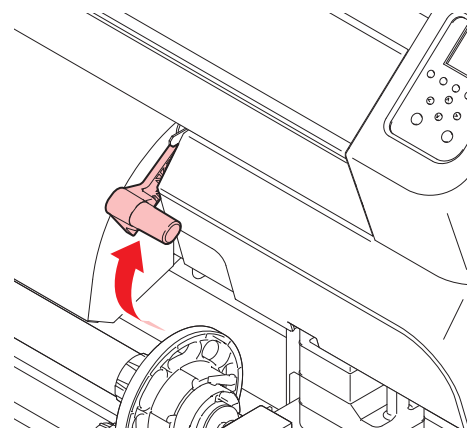
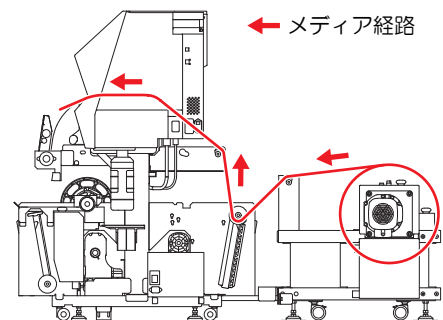
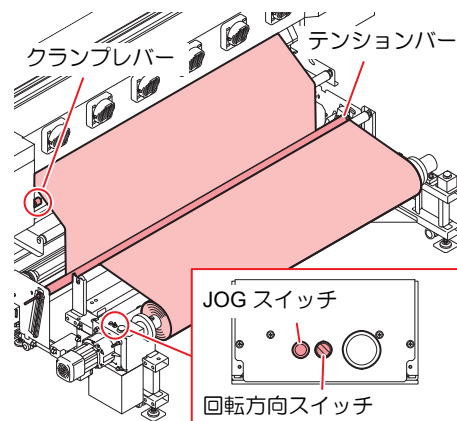
- (1) テンションバーを上げた状態でメディアを通す。
 - JOG スイッチでメディアを繰り出します。
 - 回転方向スイッチで回転方向を変更します。



- ミニジャンボ側のテンションバーにウェイト200を追加している場合、メディアを通す際は取り外してください。

- (2) クランプレバーを上げる。
- (3) メディアをプラテン上まで通す。
- (4) クランプレバーを下げ、メディアを仮押さえる。

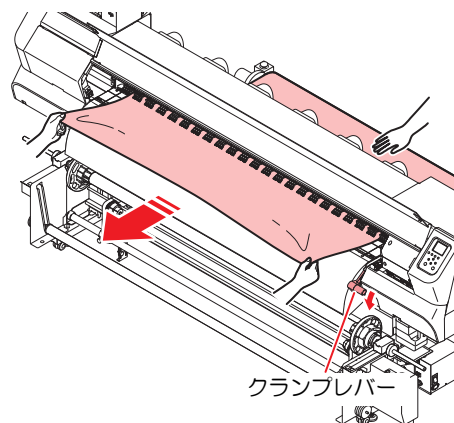
6 プリンター前面のクランプレバーを上げる。



7 メディアを手で軽く引いて表面のシワなどを取り除き、クランプレバーを下げる。



- [FUNC1] キーを押すと [ステイモード] になり、メディアを引き出す際に、エアシャフトが回転してしまうのを防ぐことができます。

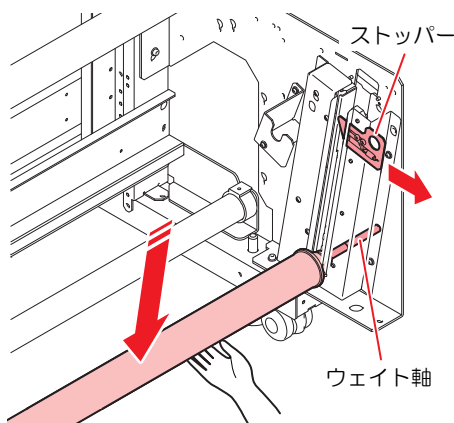
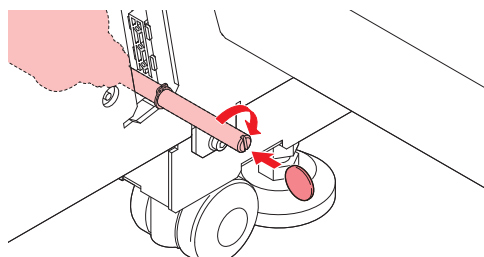


8 ミニジャンボ側のテンションバーを下げる。

- テンションバーが一番下に下がるまで、ミニジャンボの JOG スイッチでメディアを繰り出します。



- テンションバーは、手を添えて下ろしてください。手を添えずにストッパーを解除すると、テンションバーが落下して危険です。
- 落下させてしまった場合は、ウェイト軸 (横のシャフト) が緩みます。コインやマイナスドライバーを使ってしっかりと締めてください。緩んだまま使用すると、ウェイト軸が変形したり破損するおそれがあります。



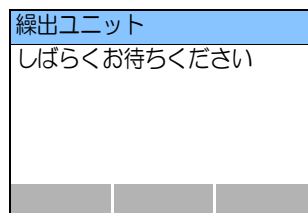
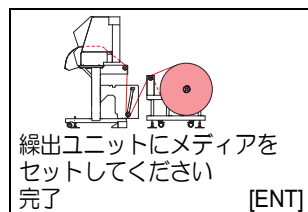
9 **ENTER** キーを押す。

- テンションバーが自動で初期化されます。



- [繰出テンションバー] エラーが発生する場合：
- JOG スイッチで、テンションバーを一番下まで下ろして、リトライしてください。
 - リトライする際、メディアがたるみ過ぎないように注意してください。

<表示画面>

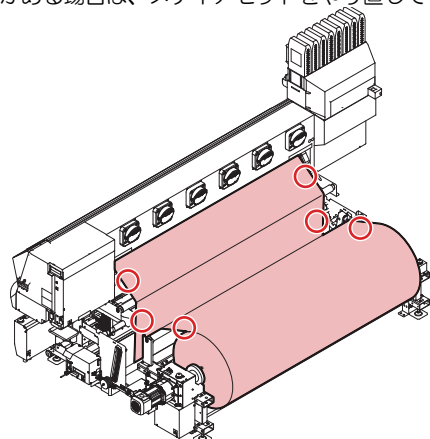


10 〻キーを押す。

- テンションバーが動作します。



- 下図の〇印のついた場所を触って、繰り出し側のメディアの張りを確認してください。メディアの張りが均一ではなかったり左右差がある場合は、メディアセットをやり直してください。



OK

NG



左右ともにメディアが張っている状態



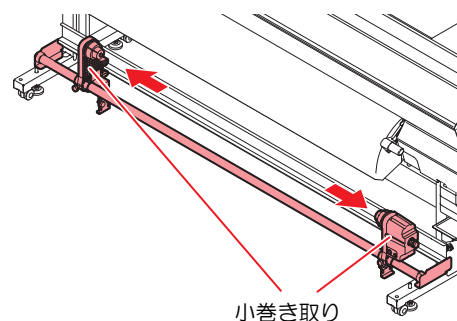
片方のメディアがたるんでいる状態

- メディアが十分に乾燥していないと、巻き取り側の端面がずれのおそれがあります。また、部分的にロールの巻きが緩み、メディアが延長ヒーターに干渉するおそれがあります。その場合は、延長ヒーターの温度を上げてください。

11 小巻き取りを両端に移動する。



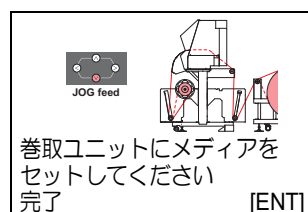
- 小巻き取りに紙管がついている場合は取り外してください。



12 大巻ロール軸に空の紙管を通す。

- 大巻ロール軸を外す。
 - 詳しい手順は、 49 ページ「大巻ロール軸の外し方」を参照してください。

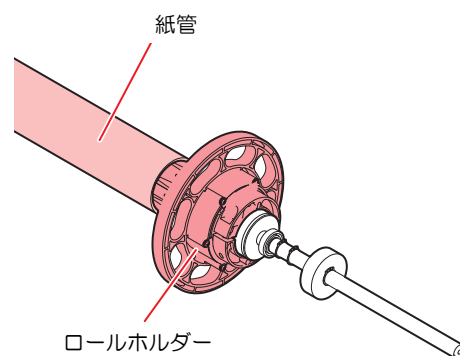
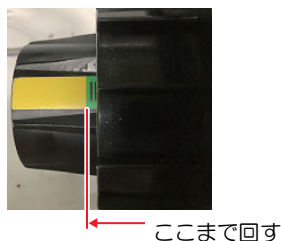
<表示画面>



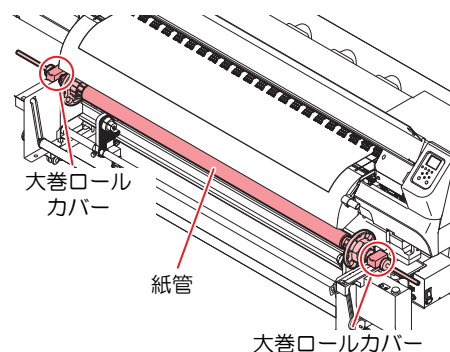
(2) 大巻ロール軸に紙管を通す。

(3) ロールホルダーを大巻ロール軸に通し、紙管の両端にセットする。

- 重要!** ・ロールホルダーの緑色の目盛りが完全に見えない状態で紙管をセットしてください。



(4) 大巻ロール軸をセットして、大巻ロールカバーを閉じる。



13 大巻ロール軸に紙管を固定する。

(1) 紙管にロールホルダーを押し込む。

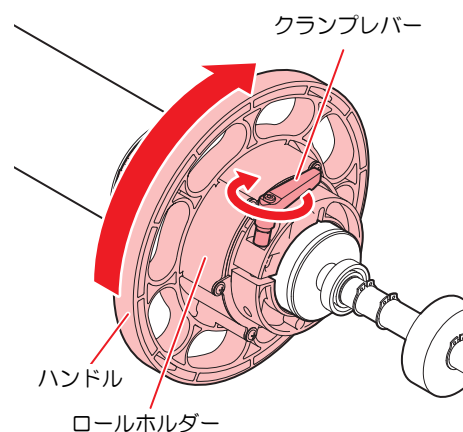
(2) 紙管とメディアの中心が重なるように紙管を移動する。

(3) ロールホルダーのクランプレバーを回し、大巻ロール軸に固定する。

(4) ロールホルダーのハンドルを回し、紙管をロックする。
・締め付けの目安はロールホルダーが紙管に当たってから3目盛り程度です。



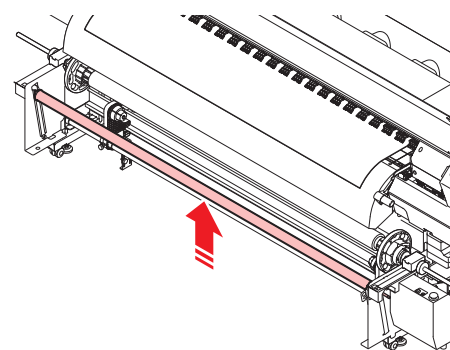
- ・締め付けが弱いと、印刷時に緩んで巻き取り不良が発生するおそれがあります。



14 大巻ロール軸側のテンションバーを上げる。



- ・ミニジャンボ側のテンションバーにウェイト200を追加している場合、メディアを通す際は取り外してください。

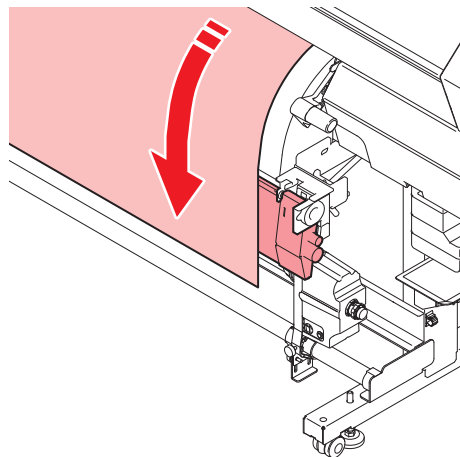


15 ◀キーを押してメディアをフィードする。

- 紙管に巻ける位メディアをフィードします。

重要!

- 延長ヒーターを使用する場合は、延長ヒーターを下配置にして、プラテンカバーと延長ヒーターの上にメディアを通してください。(推奨)



- 延長ヒーターを使用する場合は、延長ヒーターの電源をオフにするか、温度を下げてください。延長ヒーターの温度が高くと、メディアにしわが入ったり左右差が発生するなど、メディアセットに影響するおそれがあります。



- 延長ヒーターに触れる場合は、延長ヒーターが十分に冷めてから触れるようにしてください。

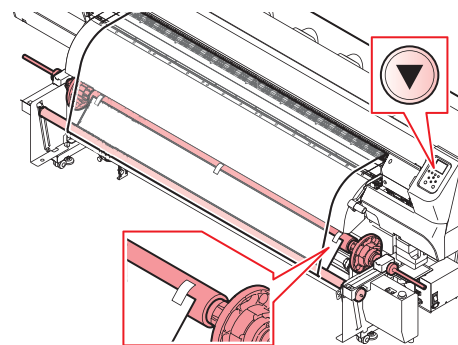
16 大巻ロール軸にメディアを固定する。

- 粘着テープでメディアの中央を固定する。

- 同様にメディアの左右を固定する。

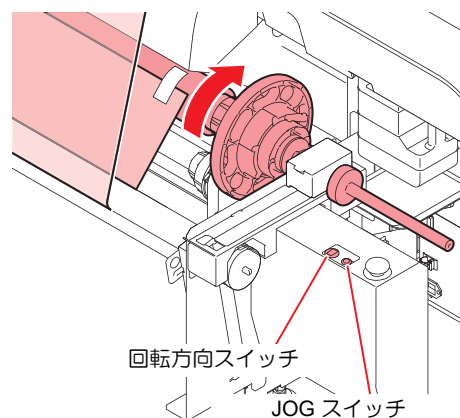


- メディアを左右均等に引っ張り、たるみ・シワがないことを確認し、テープを貼ってください。
- メディアの巻き取り方向は、内巻き(印刷面が内側)を推奨します。

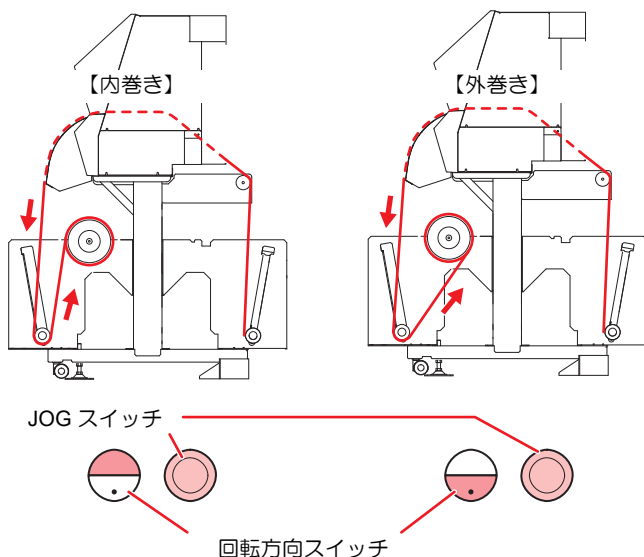


17 メディアをフィードして、紙管に2~3周巻き取る。

- ◀キーを押して、メディアをたるませる。



(2) 回転方向スイッチを巻き取る方向にセットし、JOG スイッチを押し続ける。



(3) 紙管に 3 周巻き取るまで、(1) と (2) を繰り返す。

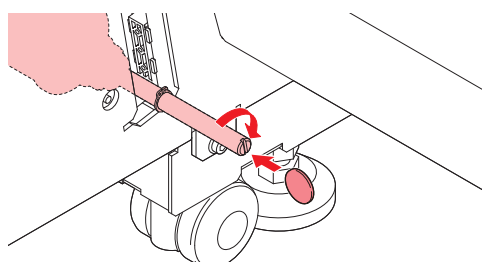


- メディアの端面にすれがないことを確認してください。

18 大巻ロール軸側のテンションバーを下げる。



- テンションバーは、手を添えて下ろしてください。手を添えずにストッパーを解除すると、テンションバーが落下して危険です。
- 落下させてしまった場合は、ウェイト軸 (横のシャフト) が緩みます。コインやマイナスドライバーを使ってしっかりと締めてください。緩んだまま使用すると、ウェイト軸が変形したり破損するおそれがあります。



19 **ENTER** キーを押す。

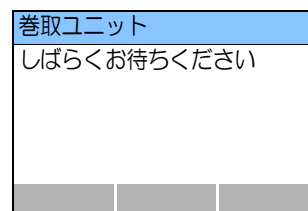
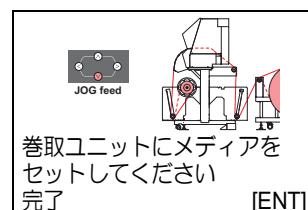
- テンションバーが自動で初期化されます。



- [巻取テンションバー] エラーが発生する場合 :
- JOG スイッチで、テンションバーを一番下まで下ろして、リトライしてください。
 - リトライする際、メディアがたるみ過ぎないように注意してください。



- メディアセット後は、クランプレバーを操作しないでください。たるみ・シワの原因になります。

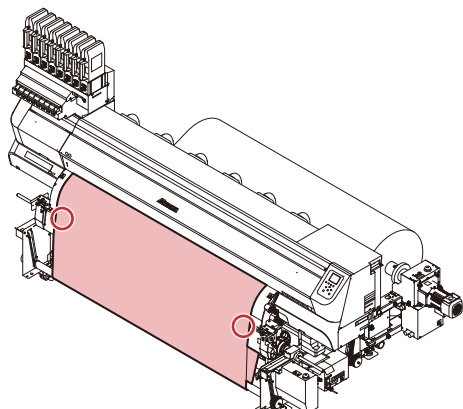


20 ◀キーを押す。

- テンションバーが動作します。



- 下図の○印のついた場所を触って、巻き取り側のメディアの張りを確認してください。メディアの張りが均一ではなかったり左右差がある場合は、メディアセットをやり直してください。



OK



左右ともにメディアが張っている状態

NG



片方のメディアがたるんでいる状態

- メディアが十分に乾燥していないと、巻き取り側の端面がずれるおそれがあります。また、部分的にロールの巻きが緩み、メディアが延長ヒーターに干渉するおそれがあります。その場合は、延長ヒーターの温度を上げてください。



- 印刷開始前には必ずインク残量と廃インク量を確認してください。インクが不足したり廃インクタンクが満タンになると、印刷が途中で停止します。

重要!

- 大巻装置で巻き取ったメディア径が $\phi 280\text{mm}$ を超えると、プリント動作が停止します。新しい紙管と交換してください。($\phi 600\text{mm}$ のメディアを使用する場合、おおよそ 2~4 回の交換が必要です。)
- 紙管は消耗品です。多めに用意されることをお勧めいたします。紙管のお求めは、販売店または弊社営業所、コールセンターにお問い合わせください。

ウェイトについて

メディアの張り具合を確認し、状況に応じてウェイト 200 を取り付けてください。ウェイト 200 は、テンションバーの左右合計 4 か所にそれぞれ最大 8 枚まで取り付けることができます。

ウェイト 200 を巻き取り側のテンションバーに追加すると、巻き取りの圧力が強くなります。メディアの張り具合を確認しながら、適切なウェイトを追加してください。

メディアの状況	対策	詳細図
メディアの送り方向にシワが発生する。	メディアの張りが強すぎます。ウェイトを取り外して、テンションバーを軽くしてください。	
プリント時にメディアが蛇行する。		
メディアがたるんでキレイに巻き取れない。	メディアの張りが弱すぎます。ウェイトを取り付けて、テンションバーを重くしてください。	
プラテン上でメディアが浮いている。		
送りムラが発生する。(メディアが広がったり、詰まったりする)	繰り出し側のウェイトが重すぎます。繰り出し側のウェイトを軽くしてください。	

重要!

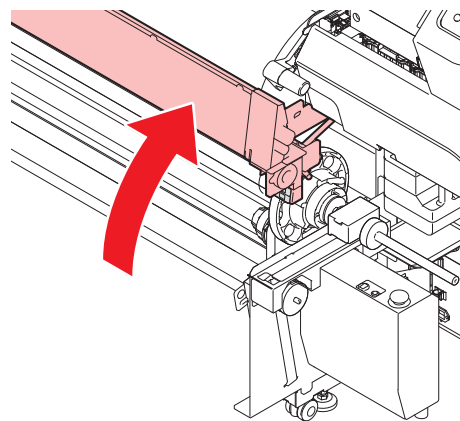
- 繰り出し側のウェイトが重いと、メディアの送りムラが発生しやすくなります。
- 推奨設定は以下のとおりです。
メディア：Jet-X (57g/㎡)
ウェイト 200：繰り出し側 0 枚、巻き取り側 8 枚

大巻ロール軸の外し方

1 延長ヒーターを上げる。



- プリント中の延長ヒーターは非常に高温です。延長ヒーターが十分に冷めてから作業してください。(ヒーターユニットを使用している場合)

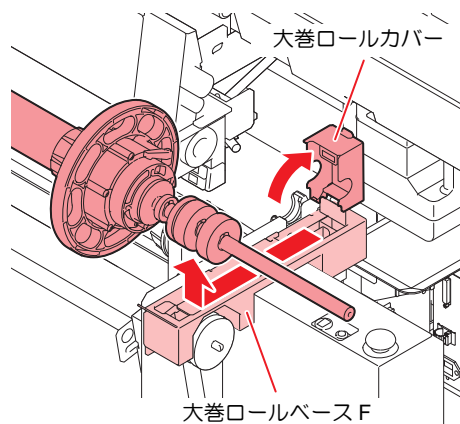


2 左右の大巻ロールカバーを開ける。

3 大巻ロール軸を、大巻ロールベース F 上を滑らせて取り出す。



- 大巻ロール軸を移動するときは、2人以上で作業してください。メディアの重みで腰を痛める可能性があります。



端面ガイドを取り付ける

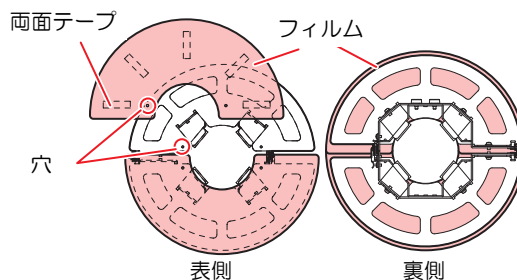
巻き取り側のメディアの端面が大きすぎる場合は、大巻ロール軸に端面ガイドを取り付けてください。

重要! ・ 端面ガイドは大巻取り専用です。小巻取りには使用できません。

事前準備

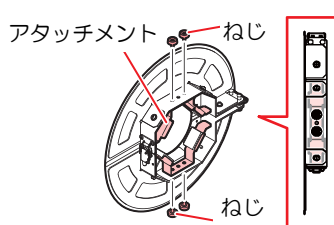
1 メディアと接する側にフィルムを貼り付ける。

- (1) フィルムについて両面テープのシールをはがす。
- (2) 端面ガイドとフィルムの小さな穴の位置を合わせて貼り付ける。



2 アタッチメントを取り付ける。

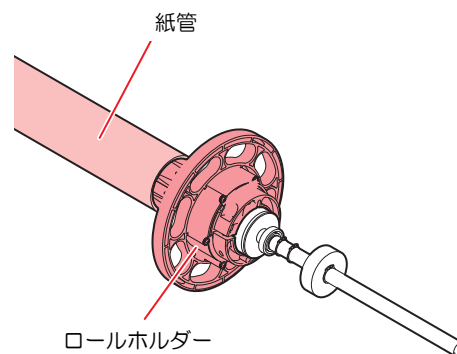
- 使用している紙管に合わせて、端面ガイドのアタッチメントを交換してください。(44 ページ「大巻ロール軸に空の紙管を通す。」)
- A が推奨設定です。B の場合は、巻取メディアの端面ズレが大きくなる場合があります。

	紙管のサイズ	使用する端面ガイド	詳細図
A (推奨)	長さ：メディア幅 +10mm 以下 肉厚：3 ~ 10mm	ロールホルダー固定用	
B	長さ：メディア幅 +100mm 以下 肉厚：3 ~ 5mm	紙管固定用	

A. ロールホルダー固定用の端面ガイドを取り付ける (推奨)

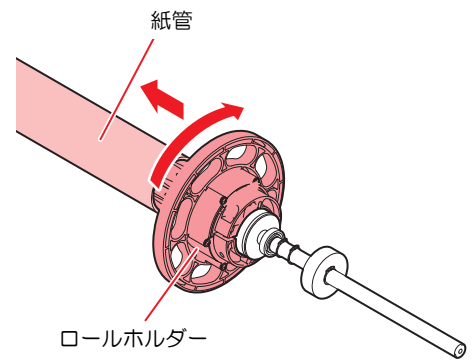
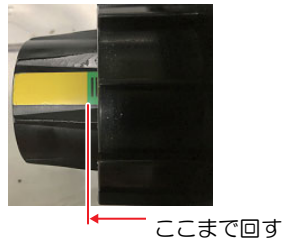
1 大巻ロール軸に紙管とロールホルダーを通し、マシンに取り付ける。

重要! ・ この後、紙管の位置を調整します。ロールホルダーはまだ固定しないでください。



2 ロールホルダーのハンドルを回して、紙管の両側に差し込む。

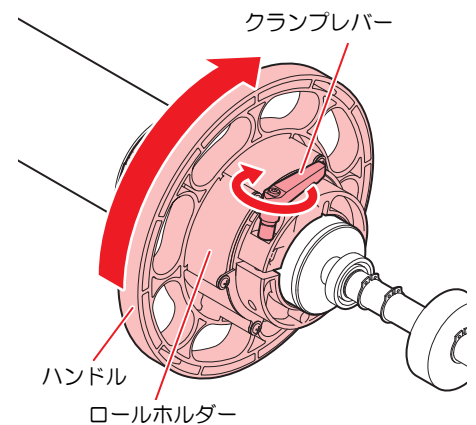
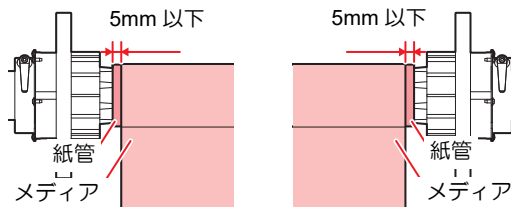
- 重要!** ・ ロールホルダーは緑色の目盛りが見えない位置まで回してから紙管に差し込んでください。



3 ロールホルダーと紙管を固定する。

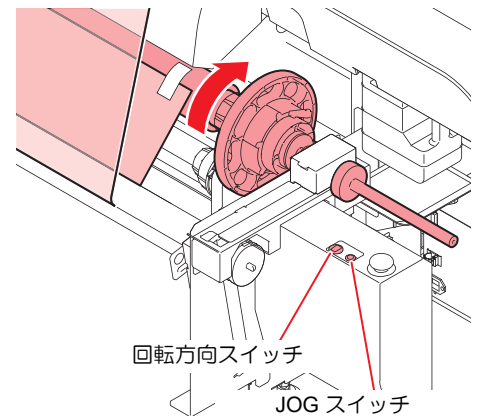
- (1) クランプレバーを回して、左右のロールホルダーを固定する。
(2) ハンドルを回して紙管を固定する。
・ 紙管は固く固定してください。

- 重要!** ・ メディアの端と紙管の端が5mm 以下になるように紙管の位置を調整してください。



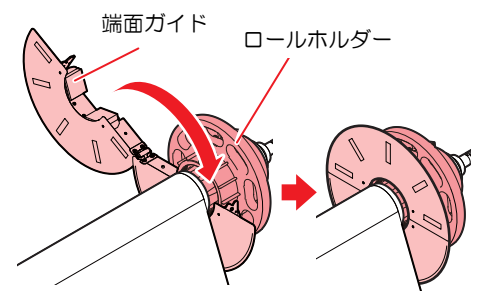
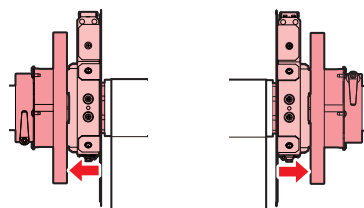
4 メディアをセットする。

- ・ 39 ページ「メディアをセットする」を参照してメディアをセットしてください。
・ セットしたら、メディアをフィードして紙管に2～3周ほど巻き取ってください。



5 ロールホルダーに端面ガイドを取り付ける。

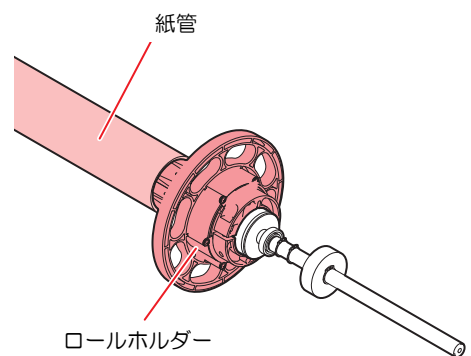
- 重要!** ・ 端面ガイドがメディアに対して垂直になるようにセットしてください。
・ 端面ガイドはロールホルダーに強く押し当ててください。



B. 紙管固定用の端面ガイドを取り付ける

1 大巻ロール軸に紙管とロールホルダーを通し、マシンに取り付ける。

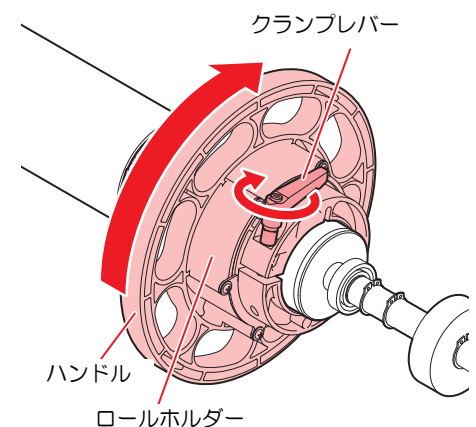
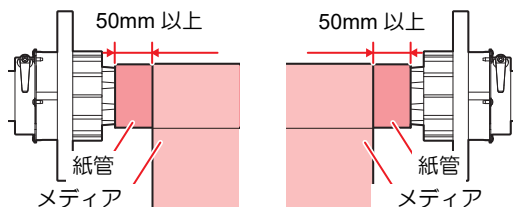
- 重要!** ・この後、紙管の位置を調整します。ロールホルダーはまだ固定しないでください。



2 ロールホルダーと紙管を固定する。

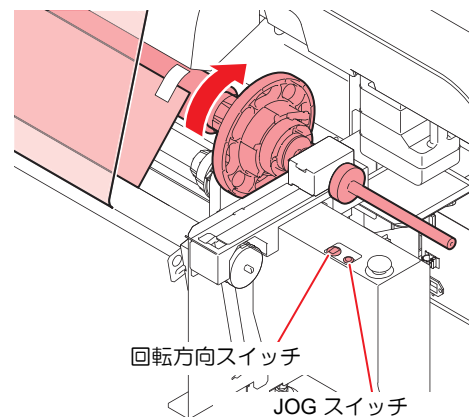
- (1) クランプレバーを回して、左右のロールホルダーを固定する。
- (2) ハンドルを回して紙管を固定する。
 - ・紙管は固く固定してください。

- 重要!** ・メディアの端と紙管の端が 50mm 以上になるように紙管の位置を調整してください。



3 メディアをセットする。

- ・39 ページ「メディアをセットする」を参照してメディアをセットしてください。
- ・セットしたら、メディアをフィードして紙管に 2～3 周ほど巻き取ってください。

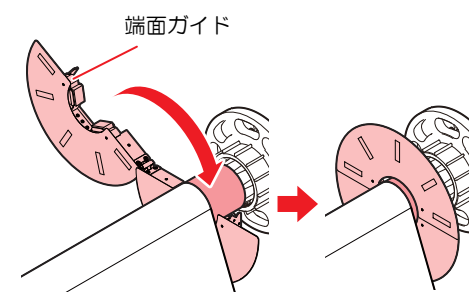
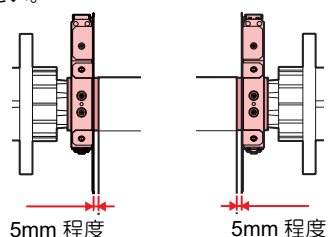


4 紙管に端面ガイドを取り付ける。




- ・端面ガイドがメディアに対して垂直になるようにセットしてください。端面ガイドを斜めに取り付けると、メディアが破れる可能性があります。

- 重要!** ・端面ガイドはメディアの端から 5mm 程度の位置に固定してください。





- メディアの端面が破れる場合は、ウェイトが重すぎる可能性があります。ウェイトを減らして再度確認してください。
 49 ページ「ウェイトについて」

端面ガイドのフィルムを交換する

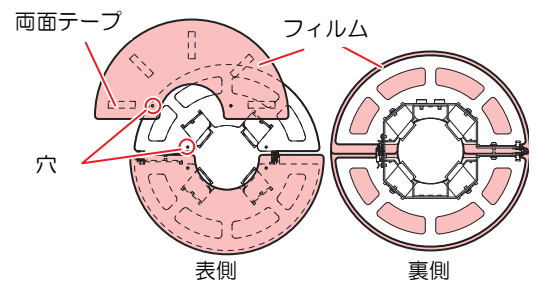
端面ガイドのフィルムが折れたり汚れたりしたときは、新しいフィルムに交換してください。（品番：SPC-0852）

1 古くなったフィルムをはがす。

- フィルム貼り付け面に汚れが付いている場合は取り除いてください。

2 新しいフィルムの両面テープをはがして、フィルムを貼り付ける。

- 端面ガイドとフィルムの小さな穴の位置を合わせて貼り付けてください。



エラー一覧

表示	原因	対処方法
実行できません 巻取 リミット ケンシュツ	巻取りテンションバー位置の上限を検出しているため、機能が実行できない。	• 巻取りテンションバーを下げてから機能を実行してください。
実行できません 繰出し リミット ケンシュツ	繰出しテンションバー位置の上限を検出しているため、機能が実行できない。	• 繰出しテンションバーを下げてから機能を実行してください。
実行できません 巻取 動作異常	巻取りテンションバーが下限位置から動いていないため、機能が実行できない。	• JOG スイッチで巻取りユニットが正常に動作することを確認後、機能を実行してください。
実行できません 繰出し 動作異常	繰出しテンションバーが下限位置から動いていないため、機能が実行できない。	• JOG スイッチで繰出しユニットが正常に動作することを確認後、機能を実行してください。
実行できません 巻取 カバー OPEN	巻取りユニットのカバーが開いているため、機能が実行できない。	• 巻取りユニットのカバーを閉めてから、機能を実行してください。
実行できません 繰出し カバー OPEN	繰出しユニットのカバーが開いているため、機能が実行できない。	• 繰出しユニットのカバーを閉めてから、機能を実行してください。
実行できません 巻取ユニット 接続	巻取りと繰出しの接続が逆になっているため、機能が実行できない。	• 装置を再起動してください。 再度表示する場合は、販売店または弊社営業所、コールセンターにお問い合わせください。
実行できません 繰出しユニット接続	巻取りと繰出しの接続が逆になっているため、機能が実行できない。	
実行できません 巻取ユニット ナシ	巻取りユニットが接続されていないため、機能が実行できない。	
実行できません 繰出しユニット ナシ	繰出しユニットが接続されていないため、機能が実行できない。	
実行できません 巻取緊急停止スイッチ ON	巻取りユニットの緊急停止スイッチが押し込まれているため、機能が実行できない。	• 巻取りユニットの緊急停止スイッチを解除してから、機能を実行してください。
実行できません 繰出し緊急停止スイッチ ON	繰出しユニットの緊急停止スイッチが押し込まれているため、機能が実行できない。	• 繰出しユニットの緊急停止スイッチを解除してから、機能を実行してください。
実行できません 巻取ユニット電源	巻取りユニットのインバータの正常状態が確認できないため、機能が実行できない。	• 装置を再起動してください。 再度表示する場合は、販売店または弊社営業所、コールセンターにお問い合わせください。
実行できません 繰出しユニット電源	繰出しユニットのインバータの正常状態が確認できないため、機能が実行できない。	
実行できません 巻取リレー溶着	巻取りユニットのリレーが故障している可能性があるため、機能が実施できない。	• 装置を再起動してください。 再度表示する場合は、販売店または弊社営業所、コールセンターにお問い合わせください。
実行できません 繰出しリレー溶着	繰出しユニットのリレーが故障している可能性があるため、機能が実施できない。	
Attention 429 巻取リミット	巻取りテンションバー位置の上限を検出している。	• 巻取りテンションバーを下げてください。
Attention 42A 繰出しリミット	繰出しテンションバー位置の上限を検出している。	• 繰出しテンションバーを下げてください。
Attention 425 巻取動作異常	巻取りテンションバーが下限位置から動いていない。	• MANUAL 動作で巻取りユニットが正常に動作することを確認してください。
Attention 426 繰出し動作異常	繰出しテンションバーが下限位置から動いていない。	• MANUAL 動作で繰出しユニットが正常に動作することを確認してください。
Information 427 巻取カバー OPEN	巻取りユニットのカバーが開いている。	• 巻取りユニットのカバーを閉めてください。
Information 428 繰出しカバー OPEN	繰出しユニットのカバーが開いている。	• 繰出しユニットのカバーを閉めてください。

表示	原因	対処方法
Error 432 巻取ユニット接続	巻取りと繰出しの接続が逆になっている。	<ul style="list-style-type: none"> 装置を再起動してください。 再度表示する場合は、販売店または弊社営業所、コールセンターにお問い合わせください。
Error 433 繰出ユニット接続	巻取りと繰出しの接続が逆になっている。	
Error 442 巻取ユニットなし	巻取りユニットが接続されていない。	
Error 443 繰出ユニットなし	繰出しユニットが接続されていない。	
Attention 485 巻取緊急停止スイッチ	巻取りユニットの緊急停止スイッチが押し込まれている。	<ul style="list-style-type: none"> 巻取りユニットの緊急停止スイッチを解除してください。
Attention 486 繰出緊急停止スイッチ	繰出しユニットの緊急停止スイッチが押し込まれている。	<ul style="list-style-type: none"> 繰出しユニットの緊急停止スイッチを解除してください。
Attention 483 巻取ユニット電源確認	巻取りユニットのインバータの正常状態が確認できない。	<ul style="list-style-type: none"> OPT 電装 BOX の電源スイッチがオンになっているか確認してください。 再度表示する場合は、販売店または弊社営業所、コールセンターにお問い合わせください。
Attention 484 繰出ユニット電源確認	繰出しユニットのインバータの正常状態が確認できない。	
Error 487 巻取リレー溶着	巻取りユニットのリレーが故障している可能性がある。	<ul style="list-style-type: none"> 装置を再起動してください。 再度表示する場合は、販売店または弊社営業所、コールセンターにお問い合わせください。
Error 488 繰出リレー溶着	繰出しユニットのリレーが故障している可能性がある。	
Error 403 X オーバー カレント	X モーターの過電流エラーを検出した。	<ul style="list-style-type: none"> 一度、主電源をオフにして、しばらくたってから再度オンにしてください。 再度表示する場合は、販売店または弊社営業所、コールセンターにお問い合わせください。
Attention 44f 巻取ロールセンサ異常	巻軸センサを正しく読めない。	<ul style="list-style-type: none"> メディアのセット状態を確認してください。 JOG スイッチで巻取装置が動作することを確認してください。
Attention 450 繰出ロールセンサ異常	繰出軸センサを正しく読めない。	<ul style="list-style-type: none"> メディアのセット状態を確認してください。 JOG スイッチで繰出装置が動作することを確認してください。
Information 47F 巻取ロール径最大	巻取りユニットが最大径に達した。	<ul style="list-style-type: none"> 巻取ロール軸を交換してください。
Attention 482 繰出シャフト取出位置	繰出ロール軸を取り出し位置に移動できなかった。	<ul style="list-style-type: none"> 装置を再起動してください。 再度表示する場合は、販売店または弊社営業所、コールセンターにお問い合わせください。

仕様

項目		内容
セット可能メディア	最大重量	巻き取り : 100kg / 繰り出し : 300kg
	最大径	巻き取り : 280mm / 繰り出し : 600mm
	最大幅	1910mm (最大印字幅 : 1900mm)
電源仕様 *1		単相 AC200 ~ 240V x1
消費電力		1.0kW 以下
外形寸法 (W x D x H) *2	単品寸法	2773mm x 988mm x 602mm
	本体設置時	3240mm x 1850mm x 1857mm
重量		191kg

*1. プリンター本体とは、電源仕様が異なるので注意してください。

*2. ミニジャンボロール最大径 (φ600) を取り付けた場合



