

## UV INKJET PRINTER

# JFX500-2131

## Safety Precautions 安全上のご注意

### For ENGLISH

---

CAUTION .....	4
DISCLAIMER OF WARRANTY .....	4
Requests .....	4
FCC Statement (USA) .....	4
Interference to televisions and radios .....	4
Restriction in use .....	5
Safety Precautions .....	6
Symbols .....	6
Be sure to observe the followings when you use this machine. ....	12

### 日本語

---

ご注意 .....	18
ご注意 .....	18
おねがい .....	18
電波障害自主規制 .....	18
テレビ/ラジオの受信障害について .....	18
使用上の制限について .....	19
安全にお使いいただくために .....	20
マーク表示について .....	20
本機をご使用の際に、必ずお守りください。 ....	26

MIMAKI ENGINEERING CO., LTD.



# **EC DECLARATION OF CONFORMITY**

We hereby declare that the following our product conforms with the essential health and safety requirements of EC Directives.

Product	COLOR INKJET PRINTER
Model No.	JFX500-2131 (IPPR813-2131)
Manufacturer	2182-3, Shigeno-otsu, Tomi, Nagano, 389-0512, JAPAN
Authorised Compiler in the Community	MIMAKI EUROPE B.V. Stammerdijk 7E 1112 AA Diemen, The Netherlands
Directives	Machinery Directive 2006/42/EC Low Voltage Directive 2006/95/EC EMC Directive 2004/108/EC

The above product has been evaluated for conformity with above directives using the following European standards. The technical construction file (TCF) for this product is retained at the above Manufacturer's location.

Generic standards	EN ISO12100:2010 EN60204-1 :2006+A1:2009 EN60950-1 :2006+A11+A1 EN55022 :2006 EN61000-3-2 :2006 EN61000-3-3 :1995+A1:2001+A2:2005 EN61000-6-1 :2007 EN55024 :1998+A1:2001+A2:2003
Technical File	File No. D700094

## DISCLAIMER OF WARRANTY

THIS LIMITED WARRANTY OF MIMAKI SHALL BE THE SOLE AND EXCLUSIVE WARRANTY AND IS IN LIEU OF ALL OTHER WARRANTIES, EXPRESS OR IMPLIED, INCLUDING, BUT NOT LIMITED TO, ANY IMPLIED WARRANTY OF MERCHANTABILITY OR FITNESS, AND MIMAKI NEITHER ASSUMES NOR AUTHORIZES DEALER TO ASSUME FOR IT ANY OTHER OBLIGATION OR LIABILITY OR MAKE ANY OTHER WARRANTY OR MAKE ANY OTHER WARRANTY IN CONNECTION WITH ANY PRODUCT WITHOUT MIMAKI'S PRIOR WRITTEN CONSENT.

IN NO EVENT SHALL MIMAKI BE LIABLE FOR SPECIAL, INCIDENTAL OR CONSEQUENTIAL DAMAGES OR FOR LOSS OF PROFITS OF DEALER OR CUSTOMERS OF ANY PRODUCT.

## Requests

- This Operation manual has been carefully prepared for your easy understanding. However, please do not hesitate to contact a distributor in your district or our office if you have any inquiry.
- Description contained in this Operation manual are subject to change without notice for improvement.

## FCC Statement (USA)

This equipment has been tested and found to comply with the limits for a Class A digital device, pursuant to Part 15 of the FCC Rules. These limits are designed to provide reasonable protection against harmful interference when the equipment is operated in a commercial environment. This equipment generates, uses and can radiate radio frequency energy and, if not installed and used in accordance with the Operation manual, may cause harmful interference to radio communications.

Operation of this equipment in a residential area is likely to cause harmful interference in which case the user will be required to correct the interference at his own expense.

In the case where MIMAKI-recommended cable is not used for connection of this device, limits provided by FCC rules can be exceeded.

To prevent this, use of MIMAKI-recommended cable is essential for the connection of this printer.

## Interference to televisions and radios

The product described in this manual generates high frequency when operating.

The product can interfere with radios and televisions if set up or commissioned under improper conditions.

The product is not guaranteed against any damage to specific-purpose radio and televisions.

The product's interference with your radio or television will be checked by turning on/off the power button of the product.

In the event that the product is the cause of interference, try to eliminate it by taking one of the following corrective measures or taking some of them in combination.

- Change the orientation of the antenna of the television set or radio to find a position without reception difficulty.
- Separate the television set or radio from this product.
- Plug the power cord of this product into an outlet which is isolated from power circuits connected to the television set or radio.

## Restriction in use

### Restriction in use

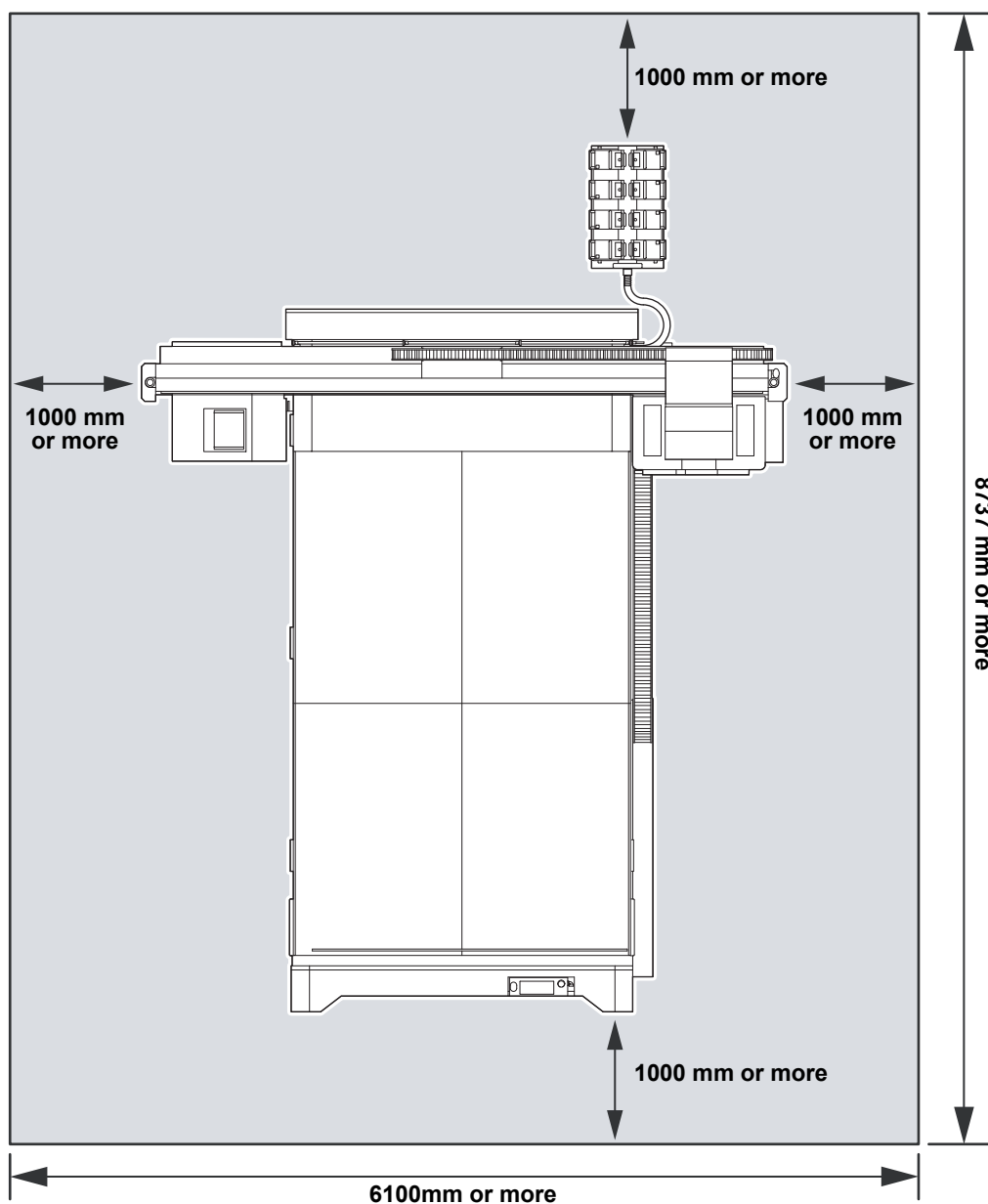
This machine is very dangerous as it has high-speed movable part, hot part and UV irradiating part. Use of this machine is limited to the user who understands this dangerousness completely.

### Restriction for user

The user of this machine shall get proper training. Limit to the user those who got proper training to operate this machine.

### Restriction area

Coming closer to the machine is prohibited for the person other than the user who got proper training. Set up the restriction area within the range indicated below. You have to install this machine in the dedicated room, or, set up a fence and make the person recognize that it is a dangerous area.







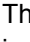




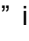



# Safety Precautions













## Symbols

Symbols are used in this Operation Manual for safe operation and for prevention of damage to the machine. The indicated sign is different depending on the content of caution. Symbols and their meanings are given below. Please follow these instructions as you read this manual.

### Examples of symbols

Meaning	
	Failure to observe the instructions given with this symbol can result in death or serious injuries to personnel. Be sure to read it carefully and use it properly.
	Failure to observe the instructions given with this symbol can result in injuries to personnel or damage to property.
	Important notes in use of this machine are given with this symbol. Understand the notes thoroughly to operate the machine properly.
	Useful information is given with this symbol. Refer to the information to operate the machine properly.
	Indicates the reference page for related contents.
	The symbol "  " indicates that the instructions must be observed as strictly as the CAUTION instructions (including DANGER and WARNING instructions). A sign representing a precaution (the sign shown at left warns of hazardous voltage) is shown in the triangle.
	The symbol "  " indicates that it is the forbidden action. If there is a concrete instruction, it is indicated in or around the symbol "  ".
	The symbol "  " indicates that the action is forced to be done or the instruction must be observed. If there is a concrete instruction, it is indicated in the symbol "  ".

## Warning for Use

 <b>WARNING</b>	
<ul style="list-style-type: none"> <li> • Be sure to setup the appropriate air-moving system in case of using the device in a closed room or a room with bad ventilation.</li> <li> • The ink used for this device falls into the category of UN No.3082 and UN Class 9. Since the ink is flammable, never use fire when using the device.</li> <li> • When cleaning the ink station and head, be sure to wear the supplied goggle and gloves since you may get ink or washing liquid in your eyes.</li> <li> • If anyone drinks ink or washing liquid in mistake, get the person to vomit and see a doctor immediately. Do not allow him or her drink vomit. Then, contact the Poison Control Center.</li> <li>• If you absorb a lot of vapor and feel bad, immediately move to a location where fresh air is present and then keep yourself warm and quiet. Then, consult a doctor as soon as possible.</li> <li>• Discard the waste ink according to the local regulations of the area this unit is used.</li> </ul>	
<p><b>Do not disassemble or remodel the device</b></p> <ul style="list-style-type: none"> <li> • Never disassemble or remodel the main unit of the printer and the ink cartridge. Disassembling/remodeling any of them will result in electric shocks or breakdown of the device.</li> </ul>	<p><b>Handling of ink bottles</b></p> <ul style="list-style-type: none"> <li> • Some of the ingredients (UV Curing initiator) have toxic consequences to aquatic life. Avoid leak into water system or sewage containing water.</li> <li>• Store ink bottles and waste ink tank in a place that is out of the reach of children.</li> <li>• If ink settles on the skin or clothes, immediately wash it off with detergent or water. If you get ink in your eyes, immediately wash your eyes with a lot of clean water for at least 15 minutes. In this case, also wash the backside of eyelids to rinse ink away completely. Then, consult a doctor as soon as possible.</li> </ul>
<p><b>Do not use the device in damp places</b></p> <ul style="list-style-type: none"> <li> • Avoid damp environments when putting the device into service. Do not splash water onto the device. High humidity or water will give rise to fire, electric shocks or breakdown of the device.</li> </ul>	
<p><b>Abnormal event occurs</b></p> <ul style="list-style-type: none"> <li> • If the device is used under an abnormal condition where the device produces smoke or unpleasant smell, fire or electric shocks can result. Be sure to turn off the power switch immediately and detach the plug from the receptacle. Check first to be sure that the device no longer produces smoke, and contact a distributor in your district for repair.</li> <li>• Never repair your device by yourself since it is very dangerous for you to do so.</li> </ul>	<p><b>Grounding work</b></p> <ul style="list-style-type: none"> <li> • This unit requires grounding work to prevent electrical shock.</li> <li>• Carry out the grounding work.</li> </ul>
<p><b>Wearing protective devices</b></p> <ul style="list-style-type: none"> <li> • When cleaning the suction nozzle, which may scatter ink, be sure to wear safety glasses and gloves, or ink and washing liquid might enter your eyes or ink and washing liquid put on your hands might make your hands rough.</li> </ul>	<p><b>Handling of the power cable</b></p> <ul style="list-style-type: none"> <li> • Use a power cable attached to this unit.</li> <li>• Take care not to damage, break or work on the power cable. If a heavy matter is placed on the power cable, heated or drawn, the power cable can break to cause fire or electric shocks.</li> </ul>



## WARNING

### Power supply and voltage



- This unit contains parts applied high voltage. Carrying out electrical work by those unauthorized for that work is prohibited.

- Use it with the displayed power supply specifications. The power-supply voltage of this machine shall be single-phase 200 to 240 Vac 20 A and less. (You cannot use this machine in the 100V system.)



- To prevent electrical shock, be sure to set OFF the main power circuit breaker and disconnect the power plug before carrying out maintenance. For some units, capacitors may take one minute for discharging; therefore, start maintenance work three minutes after setting OFF the main power circuit breaker and disconnecting the power plug.

- Be sure to carry out grounding work to prevent electrical shock.



- The main power circuit breaker should be set ON only by personnel with sufficient knowledge about operations of this unit.

- Do not touch the LED UV unit on or right after the lamp off with bare hands to avoid from burn injury.

### Handling the Anti-freezing liquid



- Use the exclusive Anti-freezing liquid by Mimaki, or the LED UV cooling device may be damaged.

- If the Anti-freezing liquid or mixed soft water with anti-freezing liquid gets on the skin or clothes, immediately wash it off with soap.

If you get the Anti-freezing liquid or mixed soft water with anti-freezing liquid in your eyes, immediately wash your eyes with a lot of clean water.

Then, consult a doctor as soon as possible. If high temperature Anti-freezing liquid or mixed soft water with anti-freezing liquid gets on the skin, immediately wash it off with soap and cool with iced water. Then, consult a doctor as soon as possible.

- Before using the Anti-freezing liquid, be sure to read the Material Safety Data Sheet (MSDS).

- If you swallowed the Anti-freezing liquid or mixed soft water with antifreezing liquid accidentally, try to get to vomit, and then consult a doctor as soon as possible.

- When unused the Anti-freezing liquid or used mixed soft water with anti-freezing liquid should discard as followings,

- Incinerating the fluid which is absorbed to the sawdust or waste cloth.

- Entrust them to an industrial waste disposal contractor, clarifying their contents.

- Avoid ignition such as static electricity and impact spark.



- Be sure to wear goggles and gloves for handling the Anti-freezing liquid.



### Handling of LED UV unit



- Do not use the LED UV in an ambience with a possibility of catching fire (gasoline, combustible gas spray, thinner, lacquer, powder dust, etc.). In addition, do not put paper or cloth near or on the LED UV, or it may cause fire or it may cause electrical shock.

- Never look at the LED UV being lit with your naked eyes, or it may cause pain in your eyes or visual impairment. Be sure to wear safety glasses.

- Do not apply ultraviolet (UV) light directly to your skin, or it may cause irritation on your skin.

- It is recommended to replace the LED UV unit within the rated life.

### Disposition of this machine




- When discarding this machine, request the treatment of it for an industrial waste disposal contractor.

- Treat it properly in compliance with regulation in the local area.













## Precautions in Use


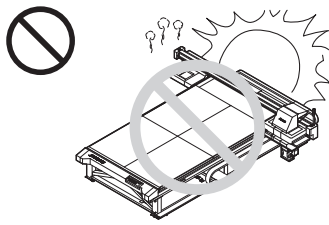
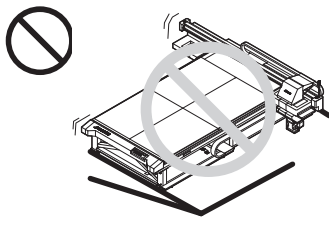

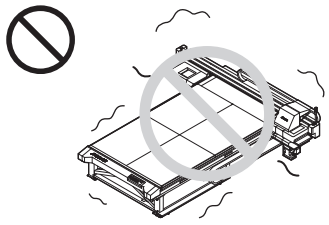
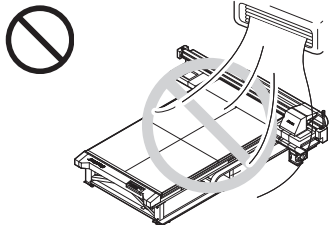
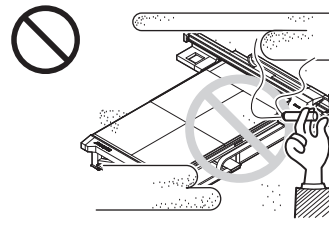
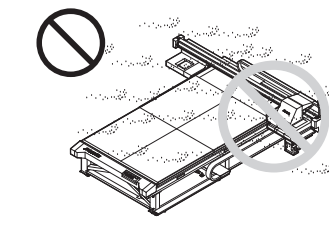
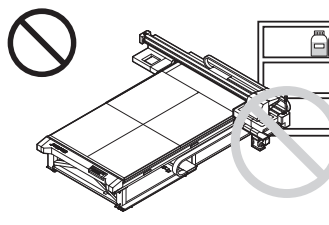
 <b>CAUTION</b>	
<p><b>Protection against dust</b></p> <ul style="list-style-type: none"> <li>It is strongly recommended to use the device in a room that is not dusty.</li> <li>When leaving the workshop after the working hours, be sure to take off any media from the roll hanger. If any media is left on the roll hanger, dust can put on it.</li> <li>Store media in a bag. Wiping off dust accumulated on a media will adversely affect the media due to static electricity.</li> <li>Dust in the head will also cause drops of ink to fall abruptly down on the media during printing. If this phenomenon takes place, be sure to clean up the head. (Refer to operation manual chapter2)</li> </ul>	<p><b>Periodic exchange parts</b></p> <ul style="list-style-type: none"> <li>There are some parts which must be replaced by service men. You have to make a contract with distributors or dealers for after-sale service.</li> </ul> <p><b>Keep the machine flatly</b></p> <ul style="list-style-type: none"> <li>Be sure to adjust the level foot to keep the machine flatly.</li> </ul> <p><b>Handling of maintenance liquid</b></p> <ul style="list-style-type: none"> <li>Be sure to store the maintenance liquid in a cold and dark place. Store the maintenance liquid in a place that is out of the reach of children.</li> </ul>
<p><b>Warning labels</b></p> <ul style="list-style-type: none"> <li>This device is adhered with a warning label. Be sure understand firmly the warnings given on the labels. In the case where any of the warning label has become so soiled that the warning message is illegible or has come off, purchase a new one from your local distributor or our office.</li> </ul>	<p><b>Note on maintenance</b></p> <ul style="list-style-type: none"> <li>When cleaning the External ink supply unit or the heads, make sure to wear the attached gloves.</li> </ul>
<p><b>Handling the Anti-freezing liquid</b></p> <ul style="list-style-type: none"> <li>Be sure to store the Anti-freezing liquid in a cold and dark place.</li> <li>Store the Anti-freezing liquid in a place that is out of the reach of children.</li> </ul>	<p><b>Power supply</b></p> <ul style="list-style-type: none"> <li>Leave the breaker turned ON.</li> <li>Do not turn off the main power switch on the right side of this machine.</li> </ul>
<p><b>Handling of ink bottles</b></p> <ul style="list-style-type: none"> <li>Use the JFX500 genuine ink. Remember that the user shall be filled for a repair to correct any damage resulting from the use of ink other than the exclusive type.</li> <li>The machine does not operate with any ink other than the JFX500 genuine ink.</li> <li>Do not use the JFX500 genuine ink with other printers, as doing so may cause damage to such machines.</li> <li>Do not refill ink other than the one specified by our company in the bottle. We are not responsible for any defects caused by your using such an ink.</li> <li>If the ink bottle is moved from a cold place to a warm place, leave it in the room temperature for three hours or more before using it.</li> <li>Open the ink bottle just before installing it in the machine. If it is opened and left for an extended period of time, normal printing performance of the machine may not be ensured.</li> <li>Make sure to store ink bottles in a cool and dark place.</li> <li>Store ink bottles and waste ink tank in a place that is out of the reach of children.</li> <li>Be sure to thoroughly consume the ink in the ink bottle, once it is opened, within three months. If an extended period of time has passed away after opening the ink bottle, printing quality would be poor.</li> <li>Neither pound the ink bottle nor shake it violently, as doing so can cause leakage of ink.</li> <li>Do not touch or stain the contacts of the IC chip, as doing so may cause damage to the print circuit board.</li> <li>Waste ink is equivalent to waste oil of industrial waste. Request an industrial waste disposal company for disposal of waste ink.</li> </ul>	
<p><b>Handling of media</b></p> <ul style="list-style-type: none"> <li>Use media recommended by MIMAKI to ensure reliable, high-quality printing.</li> <li>Pay attention to the expansion and contraction of the media. Do not use media immediately after unpacking. The media can be affected by the room temperature and humidity, and thus it may expand and contract. The media have to be left in the atmosphere in which they are to be used for 30 minutes or more after unpacked.</li> <li>Do not use curled media. The use of curled media can not only cause a media jam but also affect print quality. Straighten the sheet of media, if significantly curled, before using it for printing. If a regular-sized coated sheet of media is rolled and stored, the coated side has to face outside.</li> </ul>	



## CAUTION

About UV light	About hot parts
<ul style="list-style-type: none"> <li> • A little UV light leaks from the LED UV unit. UV light applied to your skin might cause inflammation and/or skin cancer. Though weak UV light might cause no inflammation, repeated exposure to it may lead to chronic disorders. Avoid applying UV light to your skin and eyes.</li> <li> • Possible damage to your eyes due to ultraviolet is acute disorder (feeling like something is in your eye, pain and flow of tears) and chronic disorder (cataract etc.). When using this device, take protective measures such as gloves, long-sleeve cloth, light-resistant mask, attached light-resistant glasses, etc.</li> </ul>	<ul style="list-style-type: none"> <li> • The LED UV unit and the Post Cure Unit become very hot. When carrying out maintenance, wait until the temperature has been sufficiently lowered after the lamp is turned OFF.</li> <li>• Some parts outside the unit will have a very high temperature. A high temperature caution label is placed on such parts. Do not touch the parts with the caution label placed and their vicinity, or burn injury may occur.</li> <li> • When it is unavoidable to touch hot parts, be sure to wear heat-insulating gloves to protect your hands.</li> </ul>
Notes on LED UV unit	About cleaning
<ul style="list-style-type: none"> <li> • When handling the LED UV or the silica glass on the bottom of the irradiation device, be sure to wear the gloves attached and never touch them with bare hands, or the UV ink curing level is significantly lowered. If the LED UV or silica glass is contaminated, wipe it with clean gauze moistened with alcohol. (Do not use alcohol for cleaning the exterior cover, or the paint will peel off.)</li> <li> • The LED UV performance and service life are significantly affected by the UV irradiation and UV power supply units used. Never use those UV devices other than those recommended by Mimaki. We would take no responsibility for any troubles caused through the use of a UV devices not recommended by Mimaki.</li> </ul>	<ul style="list-style-type: none"> <li> • After using the unit long time, foreign materials and dust may be gathered on the conductive and insulating parts, causing electric leakage. Periodically clean such parts.</li> <li>• For cleaning, do not use compressed air because it scatters foreign materials and dust, which may cause malfunctions when put inside the conductive parts. Be sure to use vacuum cleaner for cleaning of foreign materials and dust.</li> <li>• Do not use the unit in a place where there is a possibility of being wet, or electrical leakage may occur.</li> <li>• Electrical leakage, if it should occur, may lead to electrical shock of personnel or fire.</li> <li>• In order to prevent accidents from occurring, be sure to carry out periodic inspections and replacement of timechange components.</li> </ul>
About firing and smoking	
<ul style="list-style-type: none"> <li> • Touching hot parts such as the LED UV unit with combustible materials may cause firing and/or smoking. Leaving combustible materials under the UV LED unit for a couple minutes may also cause firing and/or smoking.</li> <li> • After the unit is used long time, foreign materials or dust gathered on the stabilizer or other parts may cause electrical leakage or insulation deterioration may cause firing and/or smoking. Periodically clean the parts and measure the insulation resistance, replacing deteriorated parts, if any.</li> <li>• After the unit is used long time, screws, etc. on the conductive parts may be loosened, causing firing and/or smoking. Periodically tighten such screws.</li> <li>• Because this unit is not of explosion proof type, do not use it in an ambience with hazardous materials, or a possibility of explosion may arise.</li> <li>• If abnormalities of the unit such as a strange odor, a smoking or a spark burn are found, turn the power off and call Mimaki immediately.</li> </ul>	
Handling of operation panel	
<ul style="list-style-type: none"> <li> • When handling operation panel, be careful not to drop it. If you drop it, it may cause damage of the operation panel or injury.</li> </ul>	

## Cautions on Installation

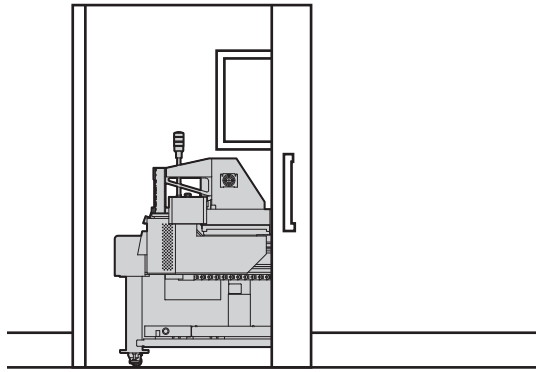
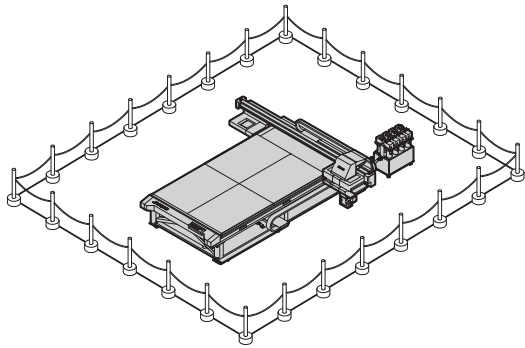
 <b>CAUTION</b>		
<b>A place exposed to direct sunlight</b>	<b>On an inclined surface</b>	<b>A place where temperature or humidity varies significantly</b>
		 <ul style="list-style-type: none"> <li>•Use the machine under the following environmental conditions:</li> <li>•Operating environment: 15 to 30 °C (59 to 86 °F) 35 to 65 % (Rh)</li> </ul>
<b>A place that vibrates</b>	<b>A place exposed to direct air flow from an air conditioner or the like.</b>	<b>Around a place where fire is used</b>
		
<b>A place with much dust</b>	<b>A place with chemicals around</b>	
		

## Be sure to observe the followings when you use this machine.

### About installation of this machine







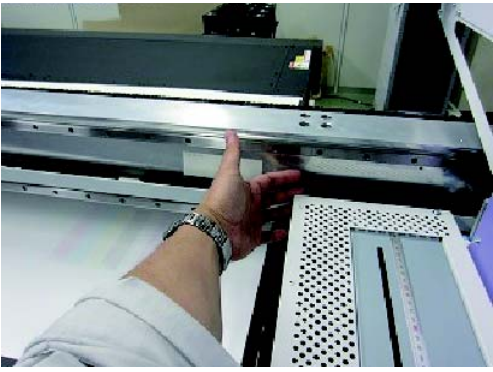
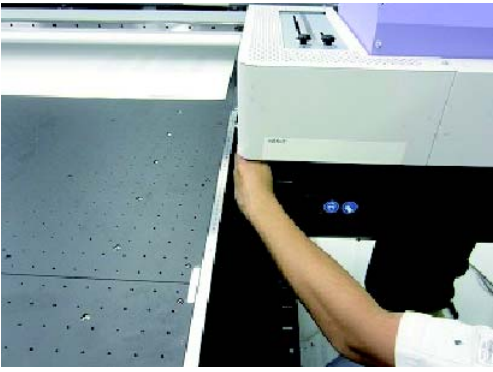
- Install this machine in the place where you can set it apart by a physical method and set reclusive area so that the employees cannot reach the printer and the ink supplying unit easily.

Example 1) Set in the dedicated room.	Example 2) Put a fence etc.
	

- Only the employee who took safety training course performed by our company or the employee who took training from him/ her shall enter into the reclusive area. The employee other than those who took safety training course shall not enter in the area.  
If the employee who didn't take training enters in the reclusive area while the machine operates, there is a danger to be injured because he/ she may hit the Y bar during printing etc.
- The operator who uses this machine shall be the employee who took safety training course or the employee who took training from him/ her.

## Action that you should avoid while printer operates

While the printer operates, if you perform the action below, there is a danger to be injured etc.

<p><b>Do not put your hands or things on the table.</b></p>	<p><b>Do not disturb the carriage operation.</b></p>
 <p>Do not put your hands on the carriage moving path when the printer power is ON. In addition, do not put things other than the paper to be printed. At this time, check that the paper thickness is 50mm (1.97inch) or less.</p>	 <p>Do not move the carriage manually while the carriage operates (during printing and cleaning). If you move the carriage manually during its operation, the operation error message is displayed.</p>
<p><b>Do not put your hands or things on the bearing part.</b></p>	
 <p>Do not put your hands or things on the Y bar and the bearing part at the right side of the main body.</p>	
<p><b>Be careful not to pinch your hands etc. in the gap between the Y bar and the table.</b></p>	<p><b>Be careful not to pinch your hands into the gap between the carriage and the table.</b></p>
 <p>There is a danger that your hands may be pinched between the Y bar and the table, and faulty may occur due to smash or shear. Do not put your hands into the gap between the Y bar and the table with the power supply ON.</p>	 <p>Do not put your hands into the gap between the carriage and the table with the power supply ON.</p>

**Do not put your hands and things in the carriage movable area.**



If the carriage moves fast and furious, your hands may be pinched.

**Do not put your hands etc. closer to the Y bar and the carriage when the power is ON.**



Because of the Y bar movement/ the carriage movement, there is a danger of smash.  
Do not put your hands etc. around here when the printer power is ON.  
Do not put your hands etc. in the printing area when the printer power is ON.

**Be careful not to pinch your hands etc. into the carriage and the maintenance station part.**



Do not put your hands into the carriage and the maintenance station part.

**Be careful not to pinch your hands etc. into the gap between the Y bar and the table.**



Do not put your hands into the gap between the Y bar and the table with the power is ON.

**Be careful about belt winding in faulty.**



Be careful not to wind your hands or feet etc. in the Y bar, the belt at the right of the main body and right and left pulley for the Y belt.  
There is a danger that your hand/ feet may be injured and other object may be wound in.

**As the carriage may hit, do not put the operation panel on the absorption table.**



Do not put the operation panel on the absorption table.

**Be careful about over-the-head when you perform the work while bending you down.**



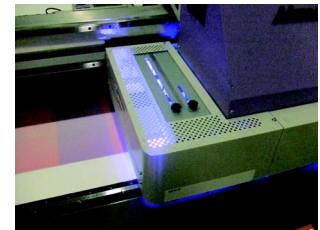
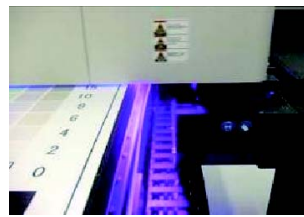
Be careful about over-the-head when/ after you perform the work while bending you down. When you get up, you may hit your head and get injured.  
In addition, do not put your hands at the side of the carriage (circle part in the photo) and do not put a heavy object.

**Be careful about injury due to falling of the operation panel.**



Be careful about injury due to falling of the operation panel of this machine.  
In addition, when you return the operation panel to the main body, surely attach it to the main body and wind operation panel cable onto the hook at the right side of the front leg.  
It prevents you from falling down by stepping your feet on the cable or prevents cable from winding in the belt at the right of the main body.

**Be careful not to look at UV light directly.**



Do not look at UV light directly.

- Be careful when you sit down on a chair for performing the work etc. and if your head and the carriage are at the same height. Especially, be careful about UV light leakage when you set the carriage and the thick media.
- Be careful about UV light leakage at each position below during printing.
  - Between left flushing part and table
  - Between right station part and table
  - Exhaust port of carriage part

In addition, as the LED UV unit and around it are hot, there is a danger of burn injury. Do not touch them.

**Do not put things under the exhaust port of absorption vacuum.**



Due to heat from the exhaust port, it may be deformed.

**Be careful about the followings when replacing ink.**

- Wear protection glasses and gloves to prevent your hands and eyes from ink adhesion due to ink splashing.
- Do not pull the ink cover too much.
- Tube and cable may be damaged.
- When you replace the ink bottle, cover around it with a waste cloth etc. Ink may drop from the float part and it may get dirty.

<b>When performing maintenance, wear protection glasses and gloves.</b>	<b>When using this machine, wear protection glasses.</b>
<p>When performing maintenance of this machine such as replacing ink, wear protection glasses and gloves for your safety. In addition, wear a gas mask as required.</p>	<p>To prevent eye deficiency due to UV light leakage, it is recommended to wear protection glasses when using this machine.</p>
	<p><b>When performing the work, place the operation panel near yourself so that you can push the emergency button.</b></p>
	<p>In case of emergency, perform the work with placing the operation panel near yourself so that you can push the emergency button.</p>





## ご注意

株式会社ミマキエンジニアリングの保証規定に定めるものを除き、本製品の使用または使用不能から生ずるいかなる損害（逸失利益、間接損害、特別損害またはその他の金銭的損害を含み、これらに限定しない）に関して一切の責任を負わないものとします。

また、株式会社ミマキエンジニアリングに損害の可能性について知らされていた場合も同様とします。

一例として、本製品を使用したメディア等の損失や、作成された物によって生じた間接的な損失等の責任負担もしないものとします。

本装置を使用したことによる金銭上の損害および逸失利益、または第三者からのいかなる請求についても、当社は一切その責任を負いかねますので、あらかじめご了承ください。

## おねがい

- この取扱説明書は、内容について十分注意しておりますが、万一ご不審な点などがありましたら、販売店または弊社営業所までご連絡ください。
- この取扱説明書は、改良のため予告なく変更する場合があります。

## 電波障害自主規制

この装置は、クラス A 情報技術装置です。この装置を家庭で使用すると電波妨害を引き起こすことがあります。この場合には使用者が適切な対策を講ずるよう要求されることがあります。

VCCI-A

## テレビ/ラジオの受信障害について

本装置は、使用時に高周波が発生します。このため、本装置が不適切な条件下で設置または使用した場合、ラジオやテレビの受信障害を発生する可能性があります。したがって特殊なラジオ/テレビに対しては保証しておりません。

本装置がラジオ/テレビ受信の障害原因と思われましたら、本装置の電源を切り、ご確認ください。電源を切り受信障害が解消すれば、本製品が原因と考えられます。

次の手順のいずれか、またはいくつかを組み合わせるをお試しください。

- テレビやラジオのアンテナの向きを変え、受信障害の発生しない位置をさがしてください。
- この製品から離れた場所にテレビやラジオを設置してください。
- この製品とは別の電源供給路にあるコンセントにテレビやラジオを接続してください。

## 使用上の制限について

### 使用上の制限

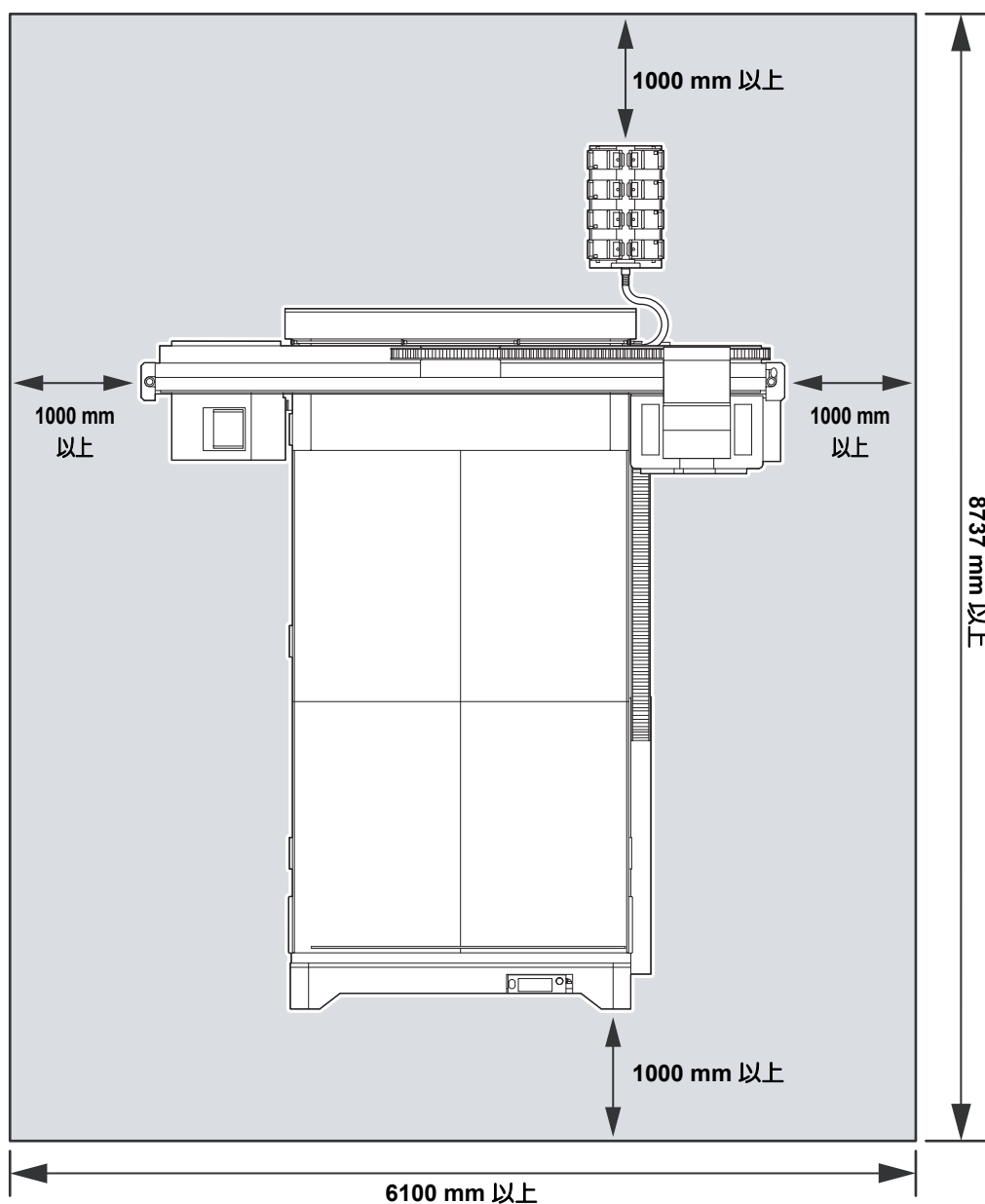
本装置は高速可動部、高温部および UV 照射部を有し非常に危険です。本装置の使用は、それらの危険性を十分理解した使用者に限られます。

### 使用者の制限

本装置の使用者は適切な訓練を受ける必要があります。本装置の操作は、適切な訓練を受けた使用者のみに制限してください。

### エリア制限

適切な訓練を受けた使用者以外の者が装置に近づくことを禁止します。下図に示す範囲でエリア制限を設けてください。エリア制限の方法は、本装置を専用の部屋に設置、あるいは柵などを設けて、危険なエリアであることを認識させる必要があります。











# 安全にお使いいただくために

## マーク表示について

本書では、マーク表示により操作上の注意内容を説明しています。注意内容により表示するマークは異なります。各マーク表示の持つ意味をご理解し、本装置を安全に正しくお使いください。

### マーク表示の例

内 容	
	「警告」マークは、指示を無視して誤った取り扱いをすると、人が死亡または重傷を負う可能性が想定される内容を示しています。必ずよくお読みになり、正しくお使いください。
	「注意」マークは、指示を無視して誤った取り扱いをすると、人が傷害を負う可能性が想定される内容および物的損害の発生が想定される内容を示しています。
	「重要」マークは、本装置をお使いいただく上で、知っておいていただきたい内容が書かれています。操作の参考にしてください。
	「ヒント」マークは、知っておくと便利なことが書かれています。操作の参考にしてください。
	関連した内容の参照ページを示しています。
	△マークは、注意（危険・警告を含む）を促す内容があることを告げるものです。中に具体的な注意事項（左図の場合は感電注意）が描かれています。
	⊘記号は、禁止の行為であることを告げるものです。具体的な指示内容がある場合は、⊘記号の中や近傍に図示しています。
	●記号は、行為を強制したり、指示する内容を告げるものです。具体的な指示内容がある場合は、●記号の中に図示しています。

## 使用上の警告


**警告**


• 換気の悪い部屋、または密閉された部屋で使用する場合は、必ず換気装置を設けてください。



• 本装置で使用するインクは、危険物第4類第3石油類に該当します。よって、引火する可能性があるため本装置を使用する場所は、火気厳禁としてください。



• ヘッドをクリーニングする際は、必ず付属のゴーグルと手袋を着用してください。インク、メンテナンス用洗浄液が目に入る場合があります。



• 誤ってインク、メンテナンス用洗浄液を飲み込んだ場合は、安静にして直ちに医師の診断を受けてください。嘔吐物は、飲み込ませないください。その後、毒物管理センターに連絡してください。  
 • 蒸気を大量に吸い込んで気分が悪くなった場合は、直ちに空気の新鮮な場所に移り、暖かくして安静にしてください。また、直ちに医師の診察を受けてください。  
 • 廃インクは、使用している地域の条例に従って処分してください。

**分解・改造はしない**


• 本装置やインクボトルの分解・改造は、絶対に行わないでください。感電や故障の原因になります。

**湿気の多い場所では使用しない**


• 湿気の多い場所での使用や、装置に水をかけないでください。火災や感電、故障の原因になります。

**異常事態の発生**


• 万一、煙が出ている、変な臭いがするなどの異常事態のまま使用すると、火災・感電の原因になります。すぐに、電源スイッチをオフにして、その後必ずプラグをコンセントから抜いてください。煙が出なくなるのを確認してから、販売店または弊社営業所に修理をご依頼ください。  
 • お客様による修理は危険ですから絶対におやめください。

**保護具着用**


• 吸引ノズルのクリーニングにおいて、インク、メンテナンス用洗浄液が飛び散る可能性がある場合は、必ず保護メガネおよび手袋を着用して、クリーニングを行ってください。インク、メンテナンス用洗浄液が目に入る危険性があります。またインク、メンテナンス用洗浄液が手に付着すると手が荒れる原因になります。

**インクボトルの取り扱い**


• 一部成分において（光重合開始剤）、水性生物に対する毒性があります。自然水系、生活排水への漏洩流出を防いでください。  
 • インクボトルや廃インクタンクは、子供の手の届かない場所に保管してください。  
 • インクが皮膚や衣服に付着した場合は、直ちに石けんや水で洗い流してください。万一インクが目に入った場合は、直ちに水で洗い流し、医師の治療を受けてください。

**接地工事**


• 本装置は、感電事故防止のため接地工事が必要です。  
 • 接地工事は、C種接地工事（特別第3種接地工事）を行ってください。

**電源ケーブルの取り扱い**


• 付属の電源ケーブルを使用してください。  
 • 電源ケーブルを傷つけたり、破損したり、加工しないでください。また、重い物をのせたり、加熱したり、ひっぱったりすると電源ケーブルが破損し、火災・感電の原因になります。

## 警告

### 電源、電圧について



• 本装置には、高電圧が発生している部分があります。電気工事は、電気工事士の免許を持った人以外が行うことを禁止します。

• 表示された電源仕様で使用してください。本装置の電源電圧は、単相 AC200 ~ 240V 20A 以下です。(100V系では、使用できません。)



• メンテナンス時には感電を防ぐために、必ず主電源スイッチをオフにし、電源プラグを抜いてください。また装置によっては、コンデンサの電荷放電時間に1分間必要な場合があります。主電源スイッチをオフにし、電源プラグを抜いた後は、必ず3分後に作業するようにしてください。

• 接地工事は、感電事故防止のため必ず行ってください。



• 点灯中や消灯直後は熱いので、LED UV 装置には手を触れないでください。ヤケドの原因となります。

### 不凍液の取り扱い



• 不凍液は、弊社専用の不凍液をご使用ください。LED UV 冷却装置が故障する恐れがあります。

• 不凍液または温水タンク水（不凍液混合水）は、直接肌に触れないようにしてください。

万一、皮膚や衣服に触れてしまった場合は、石けんを使って、すぐに流水で洗い落としてください。

万一、不凍液または温水タンク水（不凍液混合水）が目に入った場合は、大量の流水で洗い、医師の診断を受けてください。

また高温の温水タンク水（不凍液混合水）に触れた場合は、直ちに石けんや水で洗い落とし、氷水で十分冷やしてから、医師の診断を受けてください。

• 不凍液をご使用前に、必ず製品安全データシート（MSDS）をお読みください。

• 誤って不凍液または温水タンク水（不凍液混合水）を飲み込んだ場合は、直ちに吐かせ、医師の診断を受けてください。

• 不用となった不凍液または使用済みの温水タンク水（不凍液混合水）は以下の方法で処分してください。

- おがくず、ウェス等に吸着させて、焼却炉で焼却する
- 免許を持った産業廃棄物処理業者に内容物を明確にして処理を委託する

• 静電気・衝撃火花による着火源が生じないように注意してください。

• 不凍液を取り扱う場合は、必ずゴーグルおよび手袋を着用してください。



### LED UV 装置の取り扱い



• 引火する危険性の雰囲気（ガソリン・可燃性スプレー・シンナー・ラッカー・粉塵など）で使用しないでください。また紙や布を LED UV 装置に近づけたり、覆ったりしないでください。火災の原因になります。

• 点灯中の LED UV 装置は絶対に直接肉眼で見ないでください。目の痛みや視力障害の原因になります。必ず安全眼鏡を掛けてください。

• 紫外線（UV）を皮膚に直接あてないでください。皮膚の炎症を起こす原因になります。

• LED UV 装置は、定格寿命内の交換をお勧めします。

• 本装置の主電源スイッチの投入作業も、本装置の操作方法を熟知した人以外に行わないでください。













### 本装置の廃棄処分について





• 本装置を廃棄する際は、産業廃棄物処理業者に処理を依頼してください。

• 各地域の自治体の法律に基づき、適切に処理を行ってください。

## 使用上のご注意

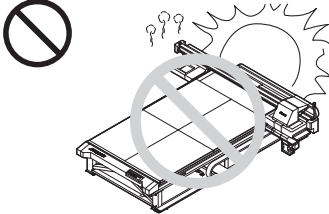
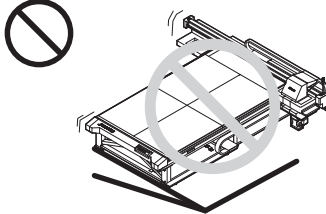

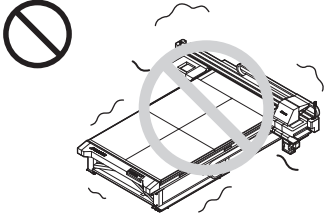
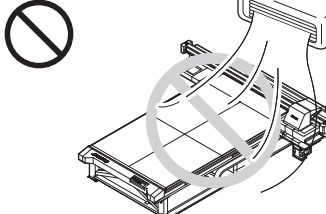
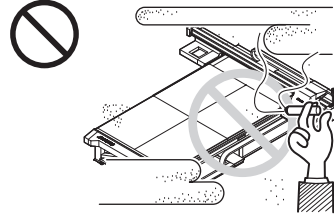
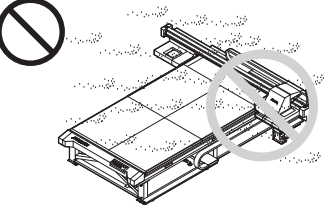
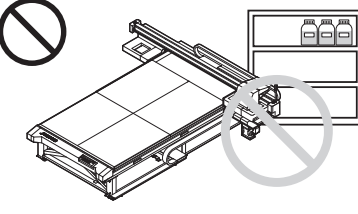
 注 意	
<b>ホコリから守る</b>  <ul style="list-style-type: none"> <li>できるだけホコリの少ない部屋で利用してください。</li> <li>夜帰宅する際は、メディアをセットしたままにしないでください。メディアの上にホコリが付着してしまいます。</li> <li>メディアはホコリがつかないように保管してください。メディアに付着したホコリを拭き取ると、静電気により逆効果になってしまいます。</li> <li>ホコリが原因で、プリント中に突然インクの雫がヘッドからメディアに落ちる場合があります。この場合は、ヘッドをクリーニングしてください。(取扱説明書 2 章)</li> </ul>	<b>定期交換部品があります</b>  <ul style="list-style-type: none"> <li>本装置には、別途に定める定期交換部品があります。保守契約をしていただくことをお勧めいたします。</li> </ul>
	<b>装置を水平に保つ</b>  <ul style="list-style-type: none"> <li>必ず、レベルフットを調整し、本装置を水平に保つようにしてください。</li> </ul>
	<b>メンテナンス用洗浄液について</b>  <ul style="list-style-type: none"> <li>メンテナンス用洗浄液は、冷暗所で保管してください。また子供の手の届かない場所に保管してください。</li> </ul>
<b>警告ラベルについて</b>  <ul style="list-style-type: none"> <li>本装置には、警告ラベルが貼ってあります。警告ラベルの内容を十分理解してください。なお、警告ラベルが汚れて読めなくなったり、剥がれた場合は、販売店、または弊社営業所にて新しい警告ラベルをお買い求めください。</li> </ul>	<b>メンテナンス上の注意</b>  <ul style="list-style-type: none"> <li>外部インク供給ユニットやヘッドを清掃する際は、必ず付属の手袋を着用してください。</li> </ul> 
<b>不凍液について</b>  <ul style="list-style-type: none"> <li>不凍液は冷暗所で保存してください。</li> <li>不凍液は、子供の手の届かない場所に保管してください。</li> </ul>	<b>電源供給について</b>  <ul style="list-style-type: none"> <li>ブレーカーは常時 ON にしておいてください。</li> <li>側面にある主電源スイッチは OFF にしないでください。</li> </ul>
<b>インクボトルの取り扱い</b>	
 <ul style="list-style-type: none"> <li>JFX500 専用インクをお使いください。専用インク以外を使用して故障した場合の修理は、お客様の負担になりますのでご了承ください。</li> <li>JFX500 専用インク以外のインクを使用すると、装置保護のため、動作しません。</li> <li>JFX500 専用のインクは、他のプリンタで使用しないでください。プリンタが壊れます。</li> <li>当社が指定しているインク以外は、ボトル内のインクを詰め替えないでください。詰め替えたインクを使用して生じた不具合について、弊社はいっさいの責任を負いかねます。</li> <li>インクボトルを寒い所から暖かい所に移した場合は、3 時間以上室温環境下に放置してから使用してください。</li> <li>インクボトルは、取付直前に開封してください。開封した状態で長時間放置しておくと、正常にプリントできない場合があります。</li> <li>インクボトルは、冷暗所で保存してください。</li> <li>インクボトルや廃インクタンクは、子供の手の届かない場所に保管してください。</li> <li>インクボトルは、開封してから 3 カ月以内に使い切ってください。開封後、長時間経過したものは、プリント品質が低下します。</li> <li>インクボトルを強くたたいたり、激しく振り回さないでください。ボトルからインクが漏れる場合があります。</li> <li>IC チップの基板接点部分は、手で触れたり、汚したりしないでください。基板の故障の原因になります。</li> <li>空になったインクボトル・廃インクは、産業廃棄物処理業者に処理を依頼してください</li> </ul>	
<b>メディアの取り扱い</b>	
 <ul style="list-style-type: none"> <li>推奨メディアをご使用ください。安定した高画質でプリントするには、弊社推奨のメディアをご使用ください。</li> <li>メディアの伸縮にご注意ください。包装を開けて間もないメディアは、使用しないでください。室内の温度や湿度によって、メディアが伸縮する場合があります。包装を開けて、使用する場所で 30 分以上さらしてから装置に取り付けてください。</li> <li>カールしたメディアは使用しないでください。紙詰まりの原因になるだけでなく、画質にも影響を及ぼします。また、カールのきついメディアは、カールを取り除いてから使用してください。コーティングした定型サイズ紙をまるめて保管する場合は、コーティング面が外側になるようにしてください。</li> </ul>	

## ⚠ 注 意

紫外線について	高温について
<ul style="list-style-type: none"> <li> • LED UV 装置から多少の紫外線漏れがあります。紫外線を皮膚や目に浴びると、炎症や皮膚ガンを起こす可能性があります。弱い紫外線で炎症を起こさない場合でも、反復暴露により慢性障害に発展する場合があります。紫外線を皮膚や目に浴びないようにしてください。</li> <li> • 紫外線の目への障害として、急性障害（異物等、とう痛および涙が流れる等）と慢性障害（白内障等）があります。本装置を使用する場合、手袋、長袖の服、顔面部は遮光面、目は付属の遮光メガネ等で保護してください。</li> </ul>	<ul style="list-style-type: none"> <li> • LED UV 装置は、非常に高温になります。メンテナンスを行う時は、LED UV 装置消灯後十分温度が下がってから行ってください。</li> <li>• 装置外装部で高温になっている部分があります。この高温部には、高温注意銘板が貼り付けてあります。高温注意銘板が貼ってある部分およびその付近は、触ると火傷の恐れがあります。触らないでください。</li> <li> • 万一、高温部に触る時は、断熱性のある手袋等で手の皮膚を保護してください。</li> </ul>
LED UV 装置の注意	清掃について
<ul style="list-style-type: none"> <li> • LED UV 装置下面のガラスは、必ず付属の手袋をはめて取り扱い、素手で触れないでください。UV 硬化が著しく低下する原因になります。汚れがついた場合には、アルコールを湿らせた清潔なガーゼ等で拭いてください。（外側カバーは、アルコールで拭かないでください。塗装がはげます。）</li> <li> • LED UV 装置の性能、寿命は UV 照射装置、UV 電源装置によって大きく左右されます。弊社推奨の LED UV 装置、UV 電源装置以外は絶対に使用しないでください。弊社推奨の UV 照射装置、UV 電源装置以外を使用して生じた不具合について、弊社はいっさい責任を負いかねます。</li> </ul>	<ul style="list-style-type: none"> <li> • 長年の使用により装置導電部や絶縁部にゴミ、ホコリが溜まり漏電する場合があります。定期的に清掃をしてください。</li> <li>• 清掃は圧縮空気の吹き付けで行わないでください。ゴミ、ホコリが飛散するだけでは無く、導電部に侵入して動作不良を起こします。必ず掃除機を使用して、ゴミ・ホコリを吸い取ってください。</li> <li>• 水のかかる場所での使用は、漏電の可能性が非常に高くなります。水のかかる場所での使用は避けてください。</li> <li>• 万一、漏電が発生すると、作業員の感電や火災に発展する場合があります。</li> <li>• 事故防止のため、定期点検、定期交換部品の交換等は必ず行ってください。</li> </ul>
発火、発煙について	
<ul style="list-style-type: none"> <li> • LED UV 装置の高温部に可燃物が触れると、発火、発煙の可能性あります。また、LED UV 装置の下に数秒間、可燃物を放置すると、発火、発煙の可能性あります。</li> <li> • 長年の使用で、安定器やその他使用部品についてゴミやホコリによる漏電、絶縁劣化が原因の発火、発煙の可能性ある。定期的な清掃、絶縁抵抗測定による劣化部品の交換をしてください。</li> <li>• 長年の使用で、導電部のネジ等が緩むことが原因で、発火、発煙の可能性あります。定期的な増し締めを行ってください。</li> <li>• 本装置は防爆タイプではありません。危険物雰囲気での使用は爆発等の危険があります。危険物雰囲気での使用を禁止します。</li> <li>• 異臭・発煙・スパーク跡など装置に異常が見られた場合は直ちに電源をオフにして弊社まで連絡してください。</li> </ul>	
操作パネルの取り扱い	
<ul style="list-style-type: none"> <li> • 操作パネルを取り扱う際は、落下しないように注意してください。操作パネルの破損や、ケガの原因になります。</li> </ul>	



設置上のご注意

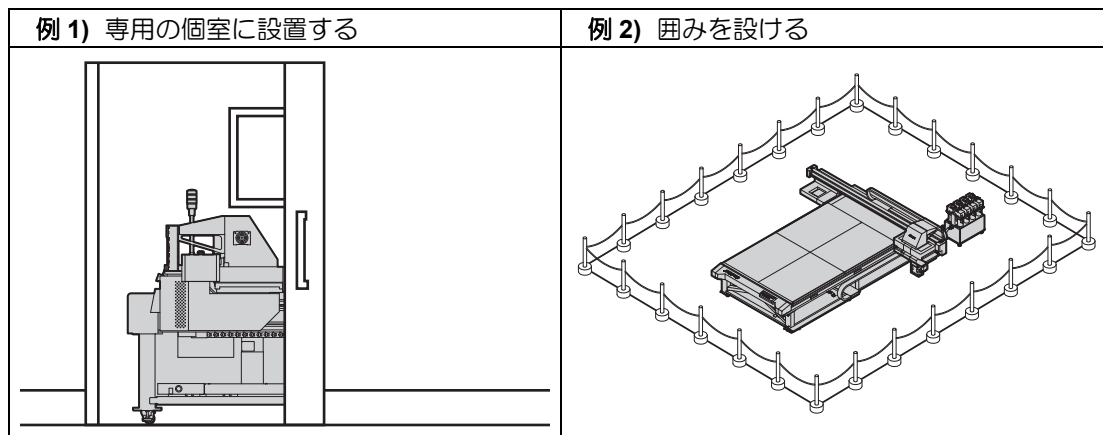
⚠ 注意		
直射日光が当たる場所	水平でない場所	温度や湿度の変化が激しい場所
		 <ul style="list-style-type: none"> <li>•次の環境下でお使いください。</li> <li>•使用環境： 15 ~ 30 °C (59°F ~ 86°F) 35 ~ 65 % (Rh)</li> </ul>
振動が発生する場所	エアコンなどの風が直接当たる場所	火を使う場所
		
埃が多い場所	周囲に化学薬品がある場所	
		

# 本機をご使用の際に、必ずお守りください。

## 本機の設置について







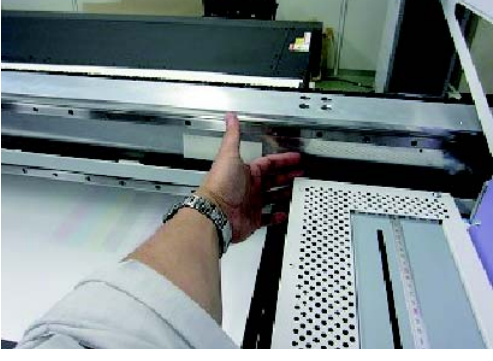

- 本機は物理的な方法により確実に隔離できる場所に設置し、プリンタおよびインク供給ユニットに容易に手が届かないよう、隔離エリアを設定してください。



- 隔離エリアには、弊社が実施する安全教育の受講者、もしくはその受講者から教育を受けた方のみとし、安全教育受講者以外は立ち入り禁止としてください。  
本機が動作中に教育を受けていない方が隔離エリア内に入ると、プリント中のYバーに当たるなどケガなどをする危険性があります。
- 本機を使用するオペレーターは、弊社が実施する安全教育の受講者、もしくはその受講者から教育を受けた方のみとしてください。

## プリンタの操作時に回避すべき行為

プリンタの操作時に以下のような行為を行うと、ケガなどをする危険性があります。

テーブルに手や物を置かないこと	キャリッジの動作を妨げないこと
 <p>プリンタの電源が入っている場合は、キャリッジの移動経路上に手を置かないでください。 また、テーブル上にはプリントする用紙以外の物を置かないでください。 その際、用紙の厚さが 50mm(1.97 インチ) 以下であることを確認してください。</p>	 <p>プリント中やクリーニング中など、キャリッジが動作中に手でキャリッジを動かさないでください。 動作中にキャリッジを手動で動かすと、動作エラーメッセージが表示されます。</p>
ヘア部に手や物を置かないこと	
 <p>Y バーおよび本体右側のヘア部に手足や物を置かないでください。</p>	
Y バーとテーブルの隙間に手などを挟まないように注意する	キャリッジとテーブルの隙間に手などを挟まないように注意する
 <p>Y バーとテーブルの間に手などが挟まり、粉碎やせん断による障害が発生する危険性があります。 電源がオンになっている状態で、Y バーとテーブル間の隙間に手を入れしないでください。</p>	 <p>電源がオンになっている状態で、キャリッジとテーブル間の隙間に手を入れしないでください。</p>

<p>キャリッジの可動範囲へ手やものを置かない</p>	<p>電源がオンの時は、Yバーやキャリッジの近辺に手などを近づけない</p>
 <p>キャリッジが勢いよく移動した場合、手が挟まる場合があります。</p>	 <p>Yバーやキャリッジの移動により、粉碎の危険性があります。          プリンタの電源がオンになっているときは、この近辺に手などを置かないでください。          プリンタの電源がオンになっているときは、プリント範囲内に手などを置かないでください。</p>
<p>キャリッジやメンテナンスステーション部に手などを挟まないように注意する</p>	<p>Yバーとテーブルの隙間に手などを挟まないように注意する</p>
 <p>キャリッジとメンテナンスステーション部に手をいれないでください。</p>	 <p>電源がオンになっている状態で、Yバーとテーブルの隙間に手を入れしないでください。</p>
<p>ベルトの巻き込み障害に注意すること</p>	<p>キャリッジがぶつかるので操作パネルを吸着テーブル上に置かない</p>
 <p>Yバー・本体右側のベルトおよびYベルト用左右プリーにに手足などを巻き込まないように注意してください。手足などのケガや、物を巻き込む危険性があります。</p>	 <p>吸着テーブル上に操作パネルを置かないでください。</p>

<p><b>屈んでの作業を行うときは、頭上に注意すること</b></p>	<p><b>操作パネルの落下によるケガに注意すること</b></p>
 <p>屈むような体勢での作業時や作業後は、頭上に注意してください。立ち上がるときに頭を打ち、ケガをする可能性があります。 また、キャリッジ横(図中○部)に手を置いたり、重いものを載せないでください。</p>	 <p>本機の操作パネルの落下によるケガなどに注意してください。 また、操作パネルを本体に戻すときは、確実に本体に取り付け、操作パネルケーブルを手前側脚の右側にあるフックに巻き付けてください。 ケーブルに足を引っかけて転倒したり、ケーブルが本体右側のベルトに巻き込まれることを防ぎます。</p>
<p><b>UV 光を直接見ないように注意する</b></p>	
 <p>UV 光を直接見ないでください。  <ul style="list-style-type: none"> <li>椅子等に着席して作業しているときなど、キャリッジと頭の位置が同じ高さになるような場合は注意してください。特に、キャリッジと厚手のメディアをセットしているときの UV 光漏れに注意してください。</li> <li>プリント時には、次の各位置の UV 光漏れに注意してください。 <ul style="list-style-type: none"> <li>左フラッシング部とテーブルの間</li> <li>右ステーション部とテーブルの間</li> <li>キャリッジ部の排気口</li> </ul> </li> </ul> また、LED UV ユニットおよびその周辺は高温になっており、火傷の危険があります。手を触れないようにご注意ください。</p>	
<p><b>吸着バキュームの排気口下に物を置かない</b></p>	<p><b>インク交換をするときは、以下のことに注意する</b></p>
 <p>排気口から排出される熱により、変形する恐れがあります。</p>	<ul style="list-style-type: none"> <li>インクのはねによる手や目に付着することを防止するため、防護メガネおよび手袋を着用してください。</li> <li>インクカバーを引っ張りすぎないでください。チューブやケーブルが傷つきます。</li> <li>インクボトルを交換するときは、ウェス等で周囲を養生してから行ってください。フロート部からのインク垂れにより周囲が汚れてしまいます。</li> </ul>

<p><b>メンテナンスを行うときは、保護メガネと保護手袋を着用すること</b></p>	<p><b>本機を使用するときは、保護メガネを着用すること</b></p>
<p>インク交換など本機のメンテナンスを行うときは、安全のため、保護メガネと保護手袋を着用してください。また、必要によってはガスマスクを着用してください。</p>	<p>UV 光の漏れによる目の障害を防止するため、本機をご使用になるときは、保護メガネの着用をお勧めします。</p>
	<p><b>非常停止ボタンが押しやすいように、身近に操作パネルを置いて作業する</b></p> <p>緊急の場合にすぐ本機を非常停止できるよう、操作パネルを身近に置いて作業してください。</p>



## Confirmation for agreement

I agree to make my employees take proper safety training course performed by your company at installing this machine in accordance with the document ("Safety Precautions" D202423-10) of this machine (JFX500-2131). I also agree that only the employees who took the relevant safety training course or those who took training from him/her can use this machine.

Date: \_\_\_\_\_ Month/ Day/ Year

Company name: \_\_\_\_\_ Representative: \_\_\_\_\_

Cutoff line

Sign	Date
------	------

Cutoff line

Cutoff line

## Confirmation for agreement

I agree to make my employees take proper safety training course performed by your company at installing this machine in accordance with the document ("Safety Precautions" D202423-10) of this machine (JFX500-2131). I also agree that only the employees who took the relevant safety training course or those who took training from him/her can use this machine.

Date: \_\_\_\_\_ Month/ Day/ Year

Company name: \_\_\_\_\_ Representative: \_\_\_\_\_





## 同意確認書

私は、本装置（JFX500-2131）のドキュメント（「安全上のご注意」D202423-10）に従い設置時に適切な安全訓練を社員に受講させ、当該安全訓練受講者又はその者から安全訓練を受けた者のみが本装置を使用することについて同意いたします。

日付 年 月 日

会社名 代表者

キリトリ線

サイン

日付

キリトリ線

キリトリ線

## 同意確認書

私は、本装置（JFX500-2131）のドキュメント（「安全上のご注意」D202423-10）に従い設置時に適切な安全訓練を社員に受講させ、当該安全訓練受講者又はその者から安全訓練を受けた者のみが本装置を使用することについて同意いたします。

日付 年 月 日

会社名 代表者



