

Textile Jet

Tx2-1600

Specifications

Items	Specifications	
Heads	Type	Piezo electric drop on demand
	Height	180 nozzles x 8 colors x 2 line staggered layout Stepless adjustable Max.3~10 mm (0.11"~0.39")
Printing mode*1	Pass	2 / 3 / 4 / 6 / 8 / 12 / 16 pass
	Direction	Uni / Bi Direction
	Scan Speed	Normal / High
	Resolutions	720 dpi x 720 dpi, 360 dpi x 720 dpi, 360 dpi x 540 dpi, 360 dpi x 360 dpi
Printing accuracy	Distance accuracy	±0.5 mm (0.020") or 0.3% whichever is larger
	Perpendicularity	±0.5 mm / 1.000 mm (±0.02"/139.4")
	Type	Reactive Dye / Acid Dye
Inks	Quantity	16 cartridges
	Supply	Tube from Ink cartridge to head Ink End detection
	Capacity	Usable amount 200 cc per one cartridge
	Max print size	1,620 mm (64 inch)
Media	Size	Max.1650 mm (65") / Min.200 mm (7.9")
	Set Method	Manual by Media Set Lever
	Print Face	Face In / out
	External Diameter	Max.180 mm (7")
	Core Diameter	76.2 mm (3") / 50.8 mm (2") / 34.3 mm (1.35")
	Weight	Max.15 kg (33 lbs)
	Type	Cotton / Silk (Pre-Treatment) *2
	Take-up device	Motor controlled automatic media take-up device
Interface	IEEE1394 / IEEE1284	
Applicable standard	VCCI Class A FCC Class A UL 60950-1 CE Marking (EM Directive Low voltage Directive) CB Report RoHS Directive	
Power	AC100V~AC240V±10% (Automatic change) 50/60Hz±1Hz	
Power consumption	Less than 500VA	
Operational environments	Acceptable Temp	15°C~30°C (59°F~86°F)
	Accuracy Guarantee Temp	18°C~25°C (64°F~77°F)
	Grade temperature	Less than±10°C/h
	Relative humidity	35~65%Rh (No condensation)
	Dust	Office Level
Dimension / Weight	2,750 mm (108") (W) x 710 mm (28") (D) x 1,320 mm (52") (H) / Less than 150kg (330 lbs)	

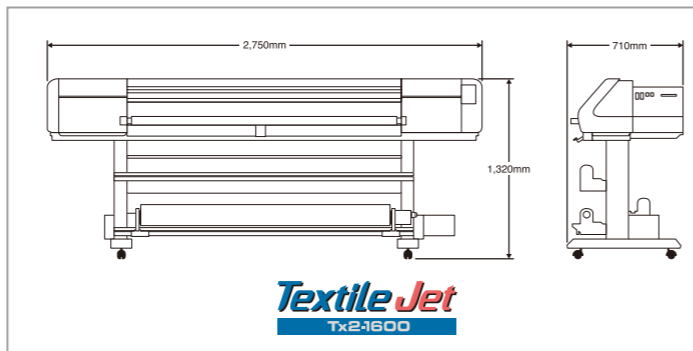
*1:Some combinations of Pass, Direction, Scan Speed, Resolutions are not supported
 *2:Fabrics will require post print processing such as steaming, washing etc. Fabric with high amounts of expansion caused by moisture or of a coarse texture cannot be used.
 *Specifications are subject to change without notice.

Ink Cartridges

Color	Discriptions	
	Reactive Dye	Acid Dye
Black	SPC-0357K	SPC-0355K
Yellow	SPC-0357Y	SPC-0355Y
Magenta	SPC-0357M	SPC-0355M
Cyan	SPC-0357C	SPC-0355C
Light Magenta	SPC-0357LM	SPC-0355LM
Light Cyan	SPC-0357LC	SPC-0355LC
Grey	SPC-0357GR	SPC-0355GR
Blue	SPC-0357BL	SPC-0355BL
Red	SPC-0357R	SPC-0355R
Orange	SPC-0357OR	---
Golden Yellow	SPC-0357GY	---

●All trademarks or registered trademarks are the property of the respective owners

External Dimensions



●All trademarks or registered trademarks are the property of their respective owners. ●Specifications are subject to change without notice. ●Some of the screens and printing samples in this catalog are artificial renderings. ●Inkjet printers print using extremely fine dots, thus colors may vary slightly following replacement of the printing heads. Also note that if using multiple printer units, colors may vary slightly among the units due to slight individual differences among the units.



MIMAKI ENGINEERING CO., LTD.

2182-3 Shigeno-otsu, Tomi-city, Nagano 389-0512, Japan
 Tel: +81-268-78-2288
 trading@mimaki.jp www.mimaki.co.jp

MIMAKI USA, INC.

150 Satellite Boulevard, suite A, Suwanee, Georgia 30024, U.S.A
 Atlanta +1-888-530-3988 Boston +1-888-530-3986
 Los Angeles +1-888-530-3987 Chicago +1-888-530-3985
 www.mimakiusa.com

MIMAKI EUROPE B.V.

Stammerdijk 7E,
 1112 AA Diemen, The Netherlands
 Tel: +31-20-4627-640
 www.mimakieurope.com

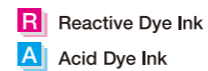
printed in Japan DB30244-02



**Digital printing from sample creation to small lot production...
 The Mimaki TX2 is the industry standard digital textile printer with high quality 720dpi output.**

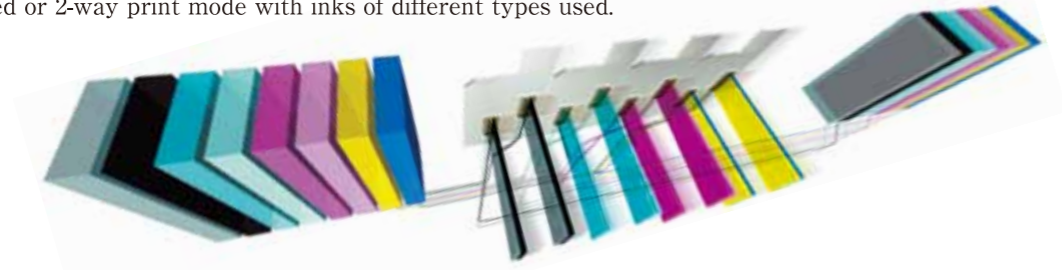
8-Color Ink Realizes Accurate Sharp Color Reproduction

The TX2-1600 can mount ink variations for a total of 8 colors including 4 basic colors (CMYK) and 4 special colors. Ink that suits your application can be selected from reactive and acid dye ink variations.



8-Color multi-head enables switching between 1-way and 2-Way Print Modes

The TX2-1600 employs an 8-Color multi head with the front and rear heads set in a staggered arrangement. The front and rear heads are fed with an independent ink supply system, allowing the selection of 1-way print mode with the same ink type used or 2-way print mode with inks of different types used.



High speed printing realizes high performance

The high speed print head enables 28.4m²/h high speed and 720dpi high quality printing which dramatically increases the potential to deliver digitally printed textiles - from sample creation to small lot production.

Resolution	Print Mode	Fast (m ² /h)	Standard (m ² /h)	Clear (m ² /h)
360×360dpi	1Way	28.4	23.6	8.2
	2Way	16.9	13.7	4.6
		11.7	9.5	3.1
360×540dpi	1Way	20.0	16.4	5.4
	2Way	8.7	7.2	2.3
		5.5	4.7	1.5
360×720dpi	1Way	15.4	12.9	4.1
	2Way	8.7	7.2	2.3
		5.5	4.7	1.5
720×720dpi	1Way	10.5	9.3	2.7
	2Way	5.5	4.7	1.5
		2.7	1.5	0.8

*Print Width 1600mm, Bi-Directional
*Print resolution and print speed may be restricted according to the kind of fabric, and the state of a pretreatment.

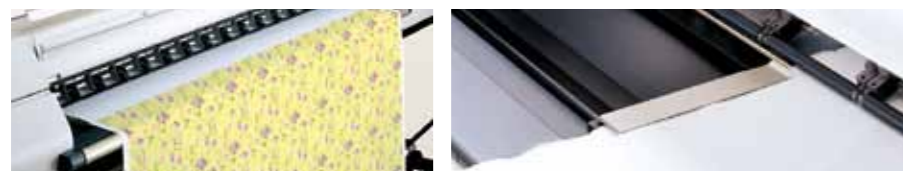
Head height adjustment mechanism enables printing fabrics up to 7mm thick

The head height adjustment mechanism enables printing to thick cloths with stepless adjustment of up to 7mm. The TX2-1600 features a plunger which easily determines the head height position.



Unique Feed Mechanism

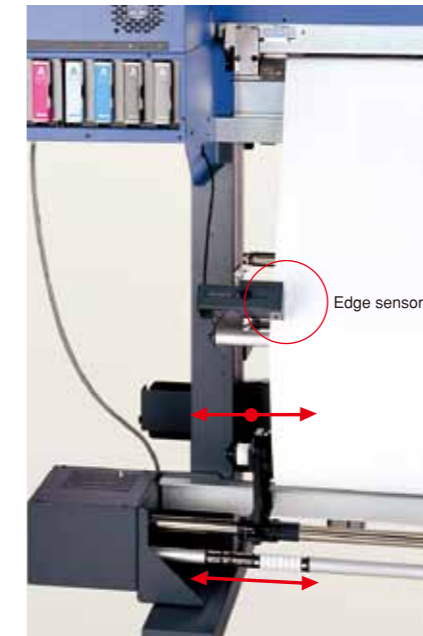
The drive roller and friction roller allow a constant tension of fabric, enabling printing to fabrics without any liner sheet (backing sheet). Ink penetrating the fabric is received by the ink trough to allow printing to a coarse-textured fabric. The Fabric Retainer for holding both edges of the fabric prevents contact of the fabric and print head.



*The Fabric Retainer is applicable to up to 5.5mm thickness.
*The ink ditch can be washed with water.

Anti-Meandering Loading Device

The TX2-1600 employs a fabric loading device which minimizes meandering of the cloth by detecting the edge of the roll with a sensor and moving from side to side.



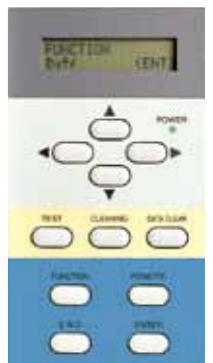
Automatic Take-Up Device as Standard

The TX2-1600 is provided with an automatic take-up device as standard which takes up the printed fabric with a constant tension, realizing overnight operation and unattended printing. The TX2 is also provided with an additional roll holder for setting a slip sheet that prevents ink penetration.



Easy-to-Use Operation Panel

The backlit, two row display panel is employed to provide substantial and legible information display in any environment. For easy operation, frequently used keys such as TEST, CLEANING and DATA CLEAR are arranged at the top of the keypad.



IEEE1394 port enables high speed communication

The IEEE1394 interface realizes high speed data transmission without reducing throughput - even at the highest speeds of printing.

